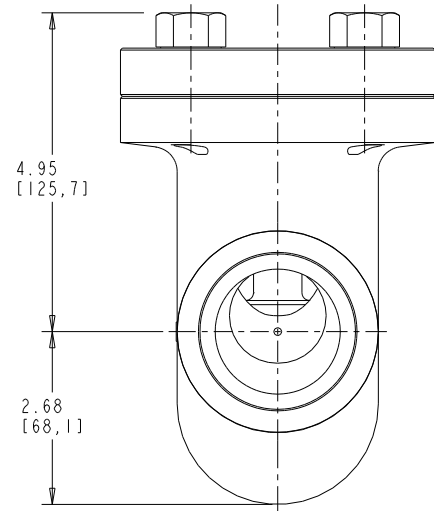
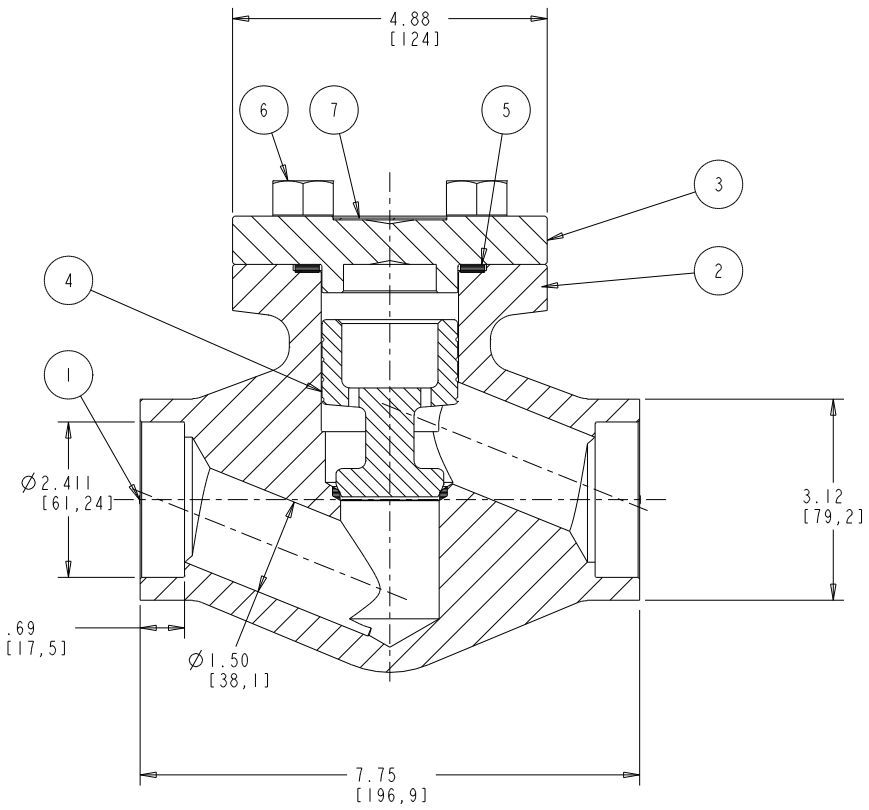
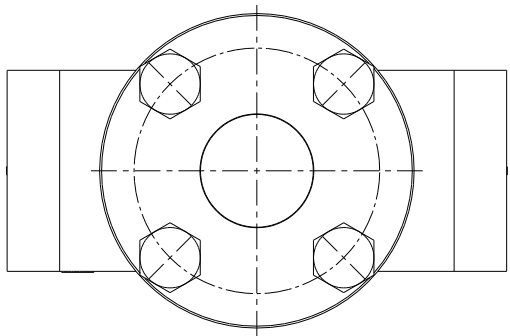


ITEM	QTY	ITEM NO	DRAWING	PART NAME	MATERIAL
1	2	58414		2 SW PROTECTOR	POLYETHYLENE
2	1	20825	44794	BODY	A105 (HFS)
3	1	30166	35493	BONNET	A105
4	1	32370	45281	DISC	A479 TYPE 410
5	1	55017	45706E	GASKET	304/GRAFOIL
6	4	50060	45417F	HEX HD BOLT	A193 GR B7
7	1	40274	28297	NAME PLATE	ALUMINUM




NOTE:
VALVE TO BE TESTED PER MSS-SP-61 PER RMPVFLT005

	X.XX Inches [XX,X] MM	
WEIGHT	25.5 LBS	11.58 Kg
Cv FACTOR	25.3	

CNS	57985	DWN BY	J.CECIL
REV	11	CHK BY	S.B.R.
BY	R.Jackson	RVD BY	
DATE	5-25-2004	DATE	3-13-67

SERIES No:	SW701-09
ITEM No:	202863
RATING: 1975 PSI • 100 F	SPECS: ASME B16.34
[BODY A105] SEAT INTG HF [DISC 13CR]	



FLOWSERVE Vogt Valves

SULPHUR SPRINGS, TEXAS, USA

2 HORIZONTAL CHECK VALVE -
FORGED STEEL-BOLTED BONNET-INTEGRAL SEAT
BODY GUIDED DISC CHECK -
SOCKET WELD ENDS -CLASS 800

45273-2