

## Description of Series Number System for Vogt Valves

Series Number  
(typical)

2" SW12111F8M

Optional specification

SW12111F8M-09

SW12111F8M-09P(EPED)

	Size:
-04	1/2" DN 15
-05	3/4" DN 20
-06	1 DN 25
-07	1 1/4 DN 32
-08	1 1/2 DN 40
-09	2 DN 50
-10	2 1/2 DN 65
-11	3" DN 80
-13	4" DN 100

### Prefix:

The letter beginning the Vogt series number is normally indicative of the valve connection. Historically, a few design features have also been used as part of the prefix S, B, and R. A fully female threaded valve as the traditional Vogt standard does not have a prefix number.

### Prefix Description:

**(Blank)** - Female NPT (both ends)  
**B** - Ball Check (female NPT)  
**BS** - Female SW by Male Butt Weld (Extended Body)  
**BT** - Female Thd by Male Butt Weld (Extended Body)  
**BW** - Butt Weld  
**CS** - Female SW by Male Couplet  
**CT** - Female Thd by Male Couplet  
**D** - Dial and Indicator  
**FF** Flat Face Flanged  
**R** - In-Line Repair (female NPT)  
**RJ** - Ring Joint Flanges  
**S** - Swing Check (female NPT)  
**SWS** Swing Check SW  
**SS** - Female SW by Male SW  
**ST** - Female NPT by Male SW  
**SW** - Socket Weld  
**SWB** - Ball Check (SW)  
**SWR** - In-line Repair (SW)  
**SWS** - Swing Check (SW)  
**TS** - Female SW by Male NPT  
**TSW** - Female NPT by Female SW  
**TT** - Female NPT by Male NPT  
**TBW** - Female NPT by Butt Weld

### Valve Design/Material:

This numeric character uniquely identifies the valve to its design (gate, globe, angle, check, etc.) and pressure boundary material of construction (A105, A182-F5, F11, F316, etc.).

### Suffix:

This alphanumeric character ending of the Vogt valve series number is normally indicative of the valve internal trim package or service application. A valve with the traditional Vogt standard trim package and packing is not assigned a suffix number.

### Suffix Description:

**(Blank)** – Standard Trim  
**B** – Bellows Valve  
**C** – Cryogenic Valve  
**CL** – Chlorine Valve Trim – Monel/Hastelloy  
**ER** – Emissions Reduction – Double Packed with Lantern Ring  
**F8M** – 316 Trim  
**F8H** – 316 Trim – Full Hard Faced  
**FHF** – Full Hard Faced (unless standard)  
**FT** – Full Trace (Pressure Retaining components)  
**HF** – Hard Faced Disc (F316 Globe and Check)  
**HF2** – UOP Alkylation – Full Port Valve Only  
**HF4** – UOP Alkylation – Full Port Valve Only  
**HF5** – UOP Alkylation – Full Port Valve Only  
**HF6** – UOP Alkylation  
**HF7** – UOP Alkylation – Locking Device  
**MB6** – 13% Chrome Trim All Hard Faced – NACE\*  
**MB8** – 316 Trim Full Hard Faced – NACE\*  
**MBS** – Monel Trim Hard Faced Wedge – NACE\*  
**MM** – Monel Trim – Grafoil Packing and Gasket  
**MMP** – Phillips Alkylation  
**MMT** – Monel Trim – Teflon Packing and Gasket  
**MT** – Chlorine Valve Trim – Monel/Teflon Disc/Hastelloy  
**MTG** – Vogt Alkylation  
**MTP** – Phillips Alkylation – Monel/Teflon Disc  
**NA6** – 13% Cr Trim – NACE\*  
**NA8** – 316 Trim – NACE\*  
**NAS** – Monel Trim – NACE\*  
**SR** – Nuclear Safety Related  
**T** – Teflon Packing and Gasket  
**VP** – Flow Control Trim (Globe Valve)  
**ZLB** – Zero Leakage Check Valve – Buna N  
**ZLE** – Zero Leakage Check Valve – Ethylene Propylene  
**ZLN** – Zero Leakage Check Valve – Neoprene  
**ZLV** – Zero Leakage Check Valve – Viton

EPED - Valves thus noted are constructed under the European Pressure Equipment Directive 97/23/EC - This specification applies to all pressure classes of the ASME B16.34 Vogt product (gate, globe and check valves) size 1.25" through 4" (DN 32-DN 100), pressure classes 150 through 2680 LTD. Valves size 1" and smaller are not within the scope of this specification.

Not all sizes, end connections, or trim configurations are available with all Valve Series. Please check for availability.

\*NACE – Materials meet requirements of NACE MR0103 for sour service

SERIES TYPE PAGE														SERIES INDEX	
G = GATE L = GLOBE C = CHECK VALVE															
S74	C 99	S698	C 102	R2522	L 56	12141B	L 63	13710	C 84	B15761	C 90	32353	G 12	35801	G 21
351	G 12	701	C 84	2591	L 55	12141ER	L 62	B13710	C 84	S15761	C 101	32363	G 13	35821	L 50
352	G 12	A701	C 91	R2591	L 56	CT12141	L 57	13718	C 84	15780	C 90	32373	G 14	36111	G 17
353	G 12	AB701	C 91	2610	C 96	ST12141	L 57	B13718	C 84	B15780	C 90	32443	L 66	36373	L 15
358	G 12	B701	C 84	R2610	C 97	TT12141	L 57	13750	C 84	15801	G 21	32461	L 64	36483	L 71
361	G 13	S701	C 100	2611	C 96	12161	G 18	B13750	C 84	BT15801	G 24	32473	L 40	36493	L 71
362	G 13	710	C 84	R2611	C 97	12181	L 46	13751	C 84	CT15801	G 24	32483	L 41	36701	C 90
363	G 13	A710	C 91	2622	C 96	12301	48	B13751	C 84	ST15801	G 24	32493	L 42	B36701	C 90
368	G 13	AB710	C 91	R2622	C 97	12188	L 46	13780	C 84	15821	L 50	32570	C 86	36710	C 90
371	G 14	B710	C 84	2691	C 96	12321	G 10	B13780	C 84	15831	G 21	B32570	C 86	B36710	C 90
372	G 14	718	C 84	R2691	G 97	12351	L 38	13921	G 10	15841	L 50	32573	C 86	36801	G 21
373	G 14	B718	C 84	2801	G 20	12401	G 10	15111	G 17	15851	G 21	B32573	C 86	41000	G 134
378	G 14	S718	C 100	2801B	G 30	12401C	G 31	BT15111	G 24	15861	G 21	32580	C 86	42211	G 28
473	L 40	730	C 106	BT2801	G 22	12421	G 10	CT15111	G 24	BT15901	G 24	B32580	C 86	42241	L 70
473B	L 63	750	C 84	CT2801	G 22	12443	L 66	ST15111	G 24	CT15901	G 24	32583	C 86	43111	G 29
473VP	L 66	B750	C 84	ST2801	G 22	12501	L 38	15141	L 45	ST15901	G 24	B32583	C 86	43211	G 28
478	L 40	751	C 84	TT2801	G 22	12501C	L 73	15321	G 17	15921	G 17	32590	C 88	43241	L 69
478VP	L 66	B751	C 84	2811	G 19	12521	G 10	15343	L 68	16111	G 17	B32590	C 88	B43721	C 92
483	L 41	S751	C 100	2821	L 49	12543	L 66	15351	L 45	16321	G 17	32593	C 88	52461	L 65
483B	L 63	S761	C 100	2831	G 20	12551	L 38	15373	G 15	16373	G 15	B32593	C 88	54853	C 94
483VP	L 66	780	C 84	2831B	G 30	12601	G 32	15378	G 15	16378	G 15	S32673	C 102	54863	C 94
488	L 41	B780	L 84	2841	L 49	12602	G 32	15401	G 17	16401	G 17	S32683	C 102	58431	L 77
488VP	L 66	801	L 47	2851	G 20	12603	G 32	15401C	G 31	16421	G 17	S32693	C 102	59851	G 27
493	L 42	810	L 51	2861	G 20	12604	G 32	15421	G 17	16521	G 17	32701	C 84	59951	G 27
493B	L 63	811	L 51	2891	L 76	12605	G 32	15443	L 68	16701	C 90	B32701	C 84	65703	G 21
493VP	L 66	822	L 51	BT2901	G 22	12921	G 10	15493	L 43	B16701	C 90	S32701	C 100	65713	G 21
498	L 42	851	L 46	CT2901	G 22	13111	G 10	15498	L 43	16710	C 90	32710	C 84	65733	L 50
498VP	L 66	891	L 51	ST2901	G 22	13111ER	G 28	15501	L 45	B16710	C 90	B32710	C 84	65723	L 50
570	C 86	1003	L 60	TT2901	G 22	13141	L 38	15521	G 17	16718	C 90	32801	G 20	65773	G 21
B570	C 86	1023	L 60	3801	G 20	13141B	L 63	15543	L 68	B16718	C 90	32801B	G 30	66703	G 26
573	C 86	1033	G 36	3801B	G 30	13141ER	L 62	15551	L 45	16750	C 90	32821	L 50	66713	G 26
B573	C 86	1043	G 36	3831	G 20	13321	G 10	15590	C 89	B16750	C 90	33111	G 10	66723	L 54
578	C 86	1331	L 75	3831B	G 30	13351	L 38	B15590	C 89	16751	C 90	33141	L 38	66733	L 54
B578	C 86	1510	L 52	3991	L 80	13361	G 13	15593	C 89	B16751	C 90	33363	G 13	66743	G 26
579	C 86	R1510	L 53	4835	C 98	13362	G 13	B15593	C 89	16760	C 90	33373	G 14	66773	G 26
B579	C 86	1511	L 52	4881	C 105	13363	G 13	15598	C 89	B16760	C 90	33701	C 84	66783	L 54
580	C 87	R1511	L 53	9091	C 93	13368	G 13	B15598	C 89	16761	C 90	B33701	C 84	66791	G 26
B580	C 87	1522	L 52	B9091	C 93	13371	G 14	15599	C 89	B16761	C 90	33710	C 84	66793	L 54
583	C 87	R1522	L 53	9821	L 79	13372	G 14	B15599	C 89	16780	C 90	B33710	C 84	82401	G 10
B583	C 87	1551	C 104	9841	L 78	13373	G 14	S15693	C 103	B16780	C 90	33801	G 20	82501	L 38
588	C 87	B1551	C 104	9871	L 78	13378	G 14	S15698	C 103	16801	G 21	33801B	G 30	82718	C 84
B588	C 87	1591	L 52	10103	L 59	13401	G 10	15701	C 90	16831	G 21	34835	C 98	82831	G 20
589	C 87	R1591	L 53	10403	L 58	13401C	G 31	B15701	C 90	16851	G 21	35111	G 24	83401	G 10
B589	C 87	1610	C 95	10603	L 61	13421	G 10	S15701	C 101	16861	G 21	35141	L 45	83501	L 38
590	C 88	1611	C 95	10683	L 61	13474B	L 63	15710	C 90	16921	G 17	35373	G 15	85401	G 17
B590	C 88	1622	C 95	11103	G 33	13483B	L 63	B15710	C 90	21000	G 134	35443	L 68	85831	G 21
593	C 88	1691	C 95	11403	G 34	13493B	L 63	15718	C 90	22141	L 72	35493	L 43	86401	G 17
B593	C 88	1871	L 75	11603	G 35	13501	L 38	B15718	C 90	22142	L 72	35590	C 89	86831	G 21
598	C 88	1971	L 44	12041	L 48	13521	G 10	S15718	C 101	22461	L 64	B35590	C 89	88300	L 74
B598	C 88	1971VP	L 68	11683	G 35	13551	L 38	15750	C 90	22483	L 71	35593	C 89		
599	C 88	2191	C 104	12111	G 10	13601	G 32	B15750	C 90	22493	L 71	B35593	C 89		
B599	C 88	2271	106	12111ER	G 28	13602	G 32	15751	C 90	22501	L 72	S35693	C 103		
S673	C 102	2510	L 55	BT12111	G 22	13603	G 32	B15751	C 90	22561	L 64	35701	C 90		
S678	C 102	R2510	L 56	CT12111	G 22	13604	G 32	S15751	C 101	23141	L 69	B35701	C 90		
S683	C 102	2511	L 55	ST12111	G 22	13605	G 32	15760	C 90	S32074	C 99	S35701	C 101		
S688	C 102	R2511	L 56	TT12111	G 22	13701	C 84	B15760	C 90	32111	G 10	35710	C 90		
S693	C 102	2522	L 55	12141	L 38	B13701	C 84	15761	C 90	32141	L 38	B35710	C 90		

# 12141 Globe Valve

## Class 800 Globe Valve

Conventional Port  
Full Port



See page 40 - 42



### The core of the pressure class 150, 300, 600, & 800 globe valve

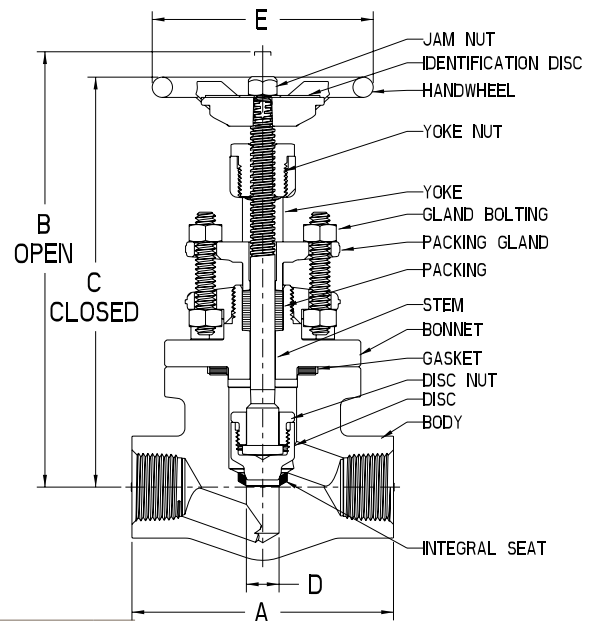
CONNECTION	CONV PORT	FULL PORT	BODY/BONNET	TRIM	SEAT	RATING	
Threaded Socket Weld Threaded/Socket Weld Butt Weld (Sch 40)**	12141	13141	A105	13% Cr	HF	1975 PSI @ 100 F	136.2 BAR @ 38 C
	32141	33141	A350 LF2	13% Cr	HF	1975 PSI @ -50 F	136.2 BAR @ -46 C
	12501	13501	F316/F316L	316		1920 PSI @ 100 F	132.4 BAR @ 38 C
	82501	83501	F316H	316H			
	12351	13351	F11,CI.2(1-1/4 Cr.)	13% Cr	HF	2000 PSI @ 100 F	137.9 BAR @ 38 C
	12551	13551	F22,CI.3(1-1/4 Cr.)				

\*\*BW end-to-end is a Vogt standard and does not meet B16.10

## Class 800 Globe Valve

Conventional Port  
Full Port

Round Bolted Bonnet  
Spiral Wound Gasket  
Outside Screw & Yoke  
Bolted Gland  
Loose Disc  
Integral Seat  
ASME B16.34  
API 602



### Dimensions

SIZE			A	B	C	D	E	WEIGHT	Cv	T	P						
-04	NPS	½	3.75	6.63	6.24	.50	4.00	5.1	2.4	4.7	12	CONVENTIONAL PORT					
	DN	15	95	169	158	12.7	102	2.3									
-05	NPS	¾	4.00	6.66	6.24	.50	4.00	5.5	4.3	5.0	12		CONVENTIONAL PORT				
	DN	20	102	169	158	12.7	102	2.5									
-06	NPS	1	4.62	8.52	7.91	.75	4.75	9.5	7.3	6.1	10			CONVENTIONAL PORT			
	DN	25	117	216	201	19.1	121	4.3									
-07	NPS	1 ¼	6.25	10.42	9.62	1.28	5.75	21.0	14.2	8.0	10				CONVENTIONAL PORT		
	DN	32	159	265	244	32.5	146	9.5									
-08	NPS	1½	6.25	10.42	9.62	1.28	5.75	20.1	20.4	8.0	10					CONVENTIONAL PORT	
	DN	40	159	265	244	32.5	146	9.1									
-09	NPS	2	7.75	11.09	10.17	1.53	8.00	30.8	23.1	7.4	8						CONVENTIONAL PORT
	DN	50	197	282	258	38.9	203	14.0									
-10	NPS	2½	9.00	13.09	12.39	2.00	8.00	50.2	35.6	5.6	8	CONVENTIONAL PORT					
	DN	65	229	338	315	50.8	203	22.8									

-04	NPS	½	4.00	6.63	6.24	.50	4.00	5.7	3.0	4.7	12	FULL PORT					
	DN	15	102	169	158	12.7	102	2.6									
-05	NPS	¾	4.62	8.52	7.91	.75	4.75	9.8	6.8	6.1	10		FULL PORT				
	DN	20	117	216	201	19.1	121	4.4									
-06	NPS	1	6.25	10.42	9.62	1.28	5.75	21.5	14.5	8.0	10			FULL PORT			
	DN	25	159	265	244	32.5	146	9.8									
-07	NPS	1¼	6.25	10.42	9.62	1.28	5.75	20.6	17.2	8.0	10				FULL PORT		
	DN	32	159	265	244	32.5	146	9.3									
-08	NPS	1½	7.75	11.09	10.17	1.53	8.00	31.8	24.4	7.4	8					FULL PORT	
	DN	40	197	282	258	38.9	203	14.4									
-09	NPS	2	9.00	13.09	12.39	2.00	8.00	51.8	37.6	5.6	8						FULL PORT
	DN	50	229	338	315	50.8	203	23.5									

T – Approximate number of turns from open to close.  
P – Pitch of stem thread.  
Refer to page 4 for optional trim and service configurations.

Refer to pages 126 & 127 for full materials description.  
Refer to page 111-113 for end connections.  
Refer to pages 114-115 for other ratings