

Forged Globe Valves

Class 800 (PN 130)

Conventional Port

1975 PSI @ 100°F (136.2 BAR @ 38°C)

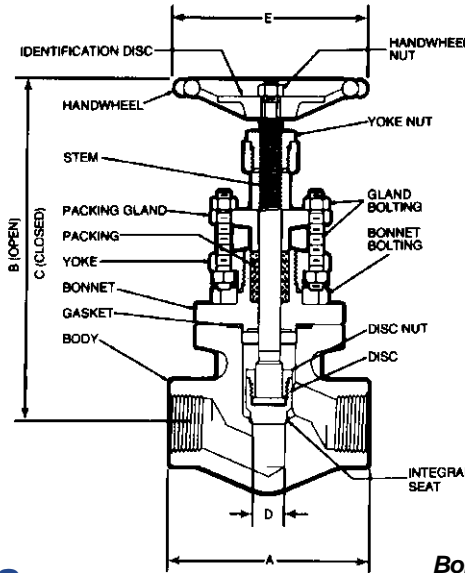
For other ratings see pgs. 112-115

SERIES NUMBER

Body/Bonnet	Threaded	Socket Weld
A105	12141	SW12141
	12141T+	SW12141T+
		Trim: 13% Cr.
		Seat: HF
	12141FHF	SW12141FHF
		Trim: 13% Cr.
		Disc/Seat: HF
		SW12141HF6
		SW12141HF7
		Trim: 13% Cr.
		Seat: HF
	12141F8M	SW12141F8M
		Trim: 316
		Seat: HF
	12141MB8	SW12141MB8
		Trim: 316
		Disc/Seat: HF
	12141MM	SW12141MM
		Trim: Monel
		Seat: HF
A350 LF2	32141	SW32141
		Trim: 13% Cr.
		Seat: HF
	32141F8M	SW32141F8M
		Trim: 316
		Seat: HF
	32141MB8	SW32141MB8
		Trim: 316
		Disc/Seat: HF

HYDROFLUORIC ACID (HF) ALKYLATION VALVES. UOP APPROVED.

MATERIALS MEET REQUIREMENTS OF NACE STANDARD MR-01-75 FOR SOUR SERVICE



- Round Bolted Bonnet
- Spiral Wound Gasket
- Outside Screw & Yoke
- Bolted Gland
- Loose Disc
- Integral Hard Faced Seat
- ASME B16.34

Dimensions

Bold face numerals are in inches and pounds.
Blue numerals are in millimeters and kilograms.

Size	NPS	1/4	3/8	1/2	3/4	1	1-1/4	1-1/2	2
	DN	8	10	15	20	25	32	40	50
A-End-to-End		3.75 95	3.75 95	3.75 95	4.00 102	4.62 117	6.25 159	6.25 159	7.75 197
B-Open		6.62 168	6.62 168	6.62 168	6.62 168	8.44 214	10.38 264	10.38 264	10.88 276
C-Closed		6.19 157	6.19 157	6.19 157	6.19 157	7.81 198	9.47 241	9.47 241	9.81 249
D-Seat Diameter		.50 12.7	.50 12.7	.50 12.7	.50 12.7	.75 19.1	1.28 32.5	1.28 32.5	1.53 38.9
E-Handwheel Diameter		4.00 102	4.00 102	4.00 102	4.00 102	4.75 121	5.75 146	5.75 146	7.00 178
Weight		4.8 2.2	4.8 2.2	4.3 2.0	5.0 2.3	8.7 3.9	20.9 9.5	20.2 9.2	29.9 13.6

*Valves contain TEFLON – maximum temperature 500°F. Refer to pages 116-120 for full materials description.

For Cv factors see page 123, Valve Matrix J.

GLOBE CLASS 800 (PN 130) 12141, 32141

Forged Globe Valves

Class 800 (PN 130) Conventional Port

2000 PSI @ 100°F (137.9 BAR @ 38°C)

For other ratings see pgs. 112-115

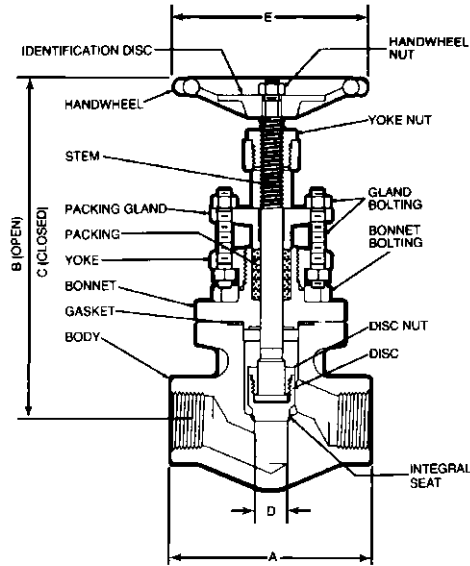
SERIES NUMBER

Body/Bonnet Threaded Socket Weld
F11, Cl. 2 12351 **SW12351**
 (1-1/4% Cr.) Trim: 13% Cr.
 Seat: HF

F22, Cl. 3 12551 **SW12551**
 (2-1/4% Cr.) Trim: 13% Cr.
 Seat: HF

F316/F316L 1920 PSI @ 100°F
 (132.4 BAR @ 38°C)
 12501 **SW12501**
 12501T+ **SW12501T+**
 Trim: 316

F316H 1920 PSI @ 100°F
 (132.4 BAR @ 38°C)
 82501 **SW82501**
 Trim: 316H



- Round Bolted Bonnet
- Spiral Wound Gasket
- Outside Screw & Yoke
- Bolted Gland
- Loose Disc
- Integral Hard Faced Seat
- ASME B16.34

Dimensions

*Bold face numerals are in inches and pounds.
 Blue numerals are in millimeters and kilograms.*

Size	NPS DN	1/4 8	3/8 10	1/2 15	3/4 20	1 25	1-1/4 32	1-1/2 40	2 50
A-End-to-End		3.75 95	3.75 95	3.75 95	4.00 102	4.62 117	6.25 159	6.25 159	7.75 197
B-Open		6.62 168	6.62 168	6.62 168	6.62 168	8.44 214	10.38 264	10.38 264	10.88 276
C-Closed		6.19 157	6.19 157	6.19 157	6.19 157	7.81 198	9.47 241	9.47 241	9.81 249
D-Seat Diameter		.50 12.7	.50 12.7	.50 12.7	.50 12.7	.75 19.1	1.28 32.5	1.28 32.5	1.53 38.9
E-Handwheel Diameter		4.00 102	4.00 102	4.00 102	4.00 102	4.75 121	5.75 146	5.75 146	7.00 178
Weight		4.8 2.2	4.8 2.2	4.3 2.0	5.0 2.3	8.7 3.9	20.9 9.5	20.2 9.2	29.9 13.6

+Valves contain TEFLON – maximum temperature 500°F.
 Refer to pages 116-120 for full materials description.

For Cv factors see page 123, Valve Matrix J.

GLOBE
CLASS 800 (PN 130)
 12351, 12501, 12551, 82501