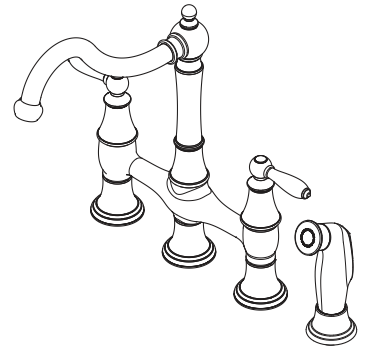


- FO31-4COC Finish(C)
- FO31-4COS Finish(S)
- FO31-4COU Finish(U)



Specifications

Features

- 1.8 GPM Flow Rate
- 360° Rotating Spout
- High Arc Spout
- Optional Side Spray Included
- TiteSeal™ Putty Plates
- Pforever Seal Ceramic Disc Valve
- Pforever Warranty®

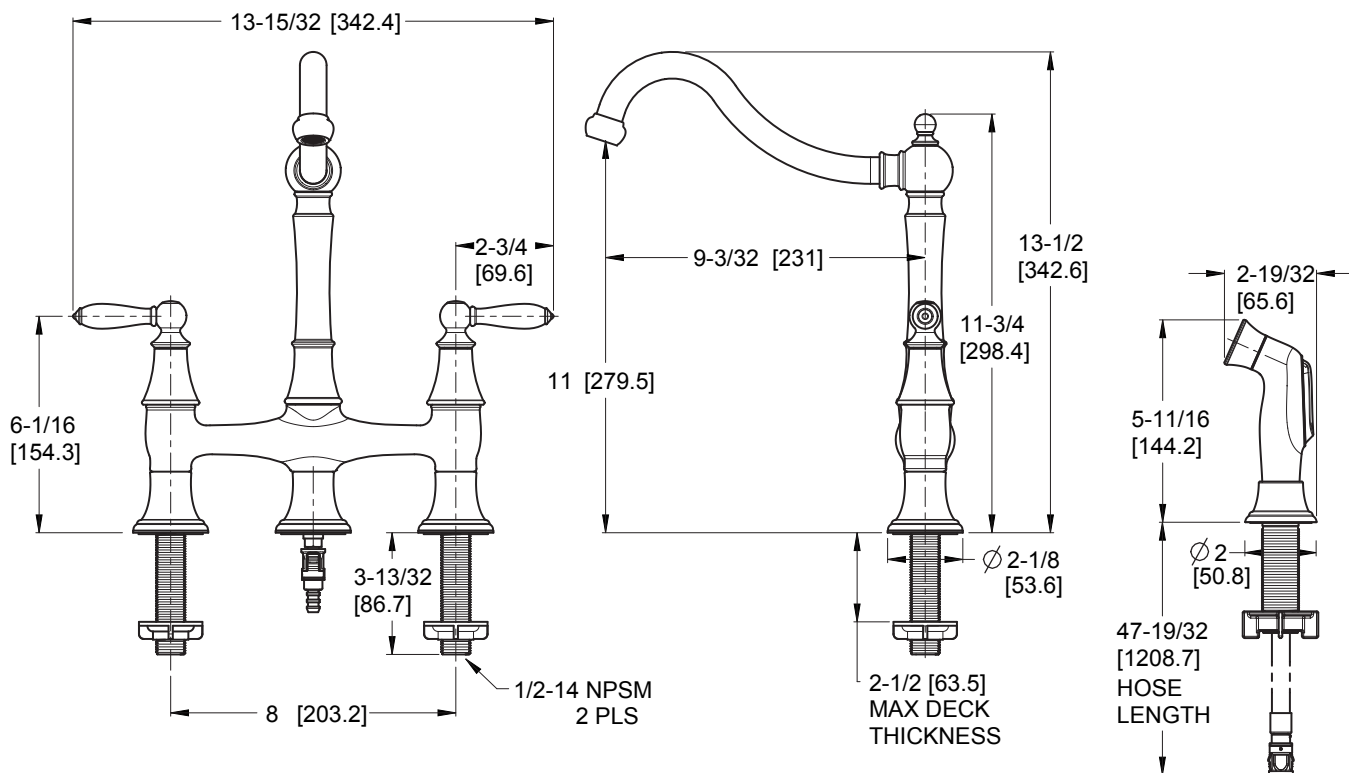
Code Compliance

Pfister products are designed and manufactured in compliance with the following standards and codes:

- IAPMO Certified
- CSA B125 Certified
- ASME A112.18.1
- NSF 61/9 Annex G (Low lead)
- Cal Green Compliant
- ADA Compliant-ANSI A117.1 (Lever handles only)



Dimensions



\varnothing 1-3/8 Min to \varnothing 1-1/2 Max. Deck Hole Openings

*supply lines not included
1/2" male OD connection at faucet