

# FIGURE 559B Y-STRAINER



## 400 WOG CAST IRON Y-STRAINER

### FEATURES

- 400 PSI CWP non-shock ( 400 PSI @ 100°F)
- 250 PSI WSP (250 PSI @ 450°F)
- Threaded NPT ends
- Stainless steel screen:
  - 1/4" to 2" - 20 mesh
  - 2-1/2" - 1/8" holes perforated
- Blow-off plug included

\*2-1/2" strainer has bolted end bonnet



### PRODUCT SPECIFICATIONS

#### Standards

- NPT ends: ANSI/ASME B1.20.1
- Shell (Hydro) test pressure: 600 PSI
- Markings per MSS SP-25

### CV & WEIGHT

Size	Cv	Wt. (lbs.)
1/2	9.5	1.6
3/4	18.7	2.4
1	30.0	4.0
1-1/4	44.9	6.6
1-1/2	61.0	8.1
2	98.0	13.0
2-1/2	129.7	24.0

### FIGURE NUMBER MATRIX

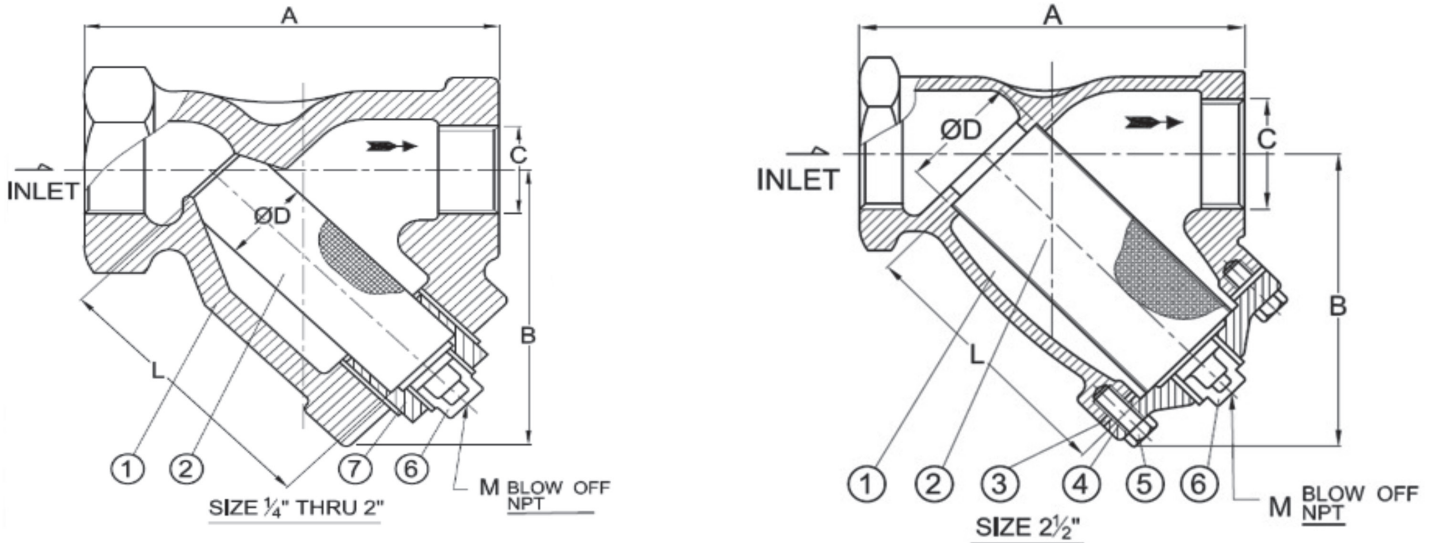
FNW	559B	Size Code	Replacement Screens	
		1/2 = D	1-1/2 = J	1/2 = FNW559SD
		3/4 = F	2 = K	3/4 = FNW559SF
		1 = G	2-1/2 = L	1 = FNW559SG
		1-1/4 = H		1-1/4 = FNW559SH
				1-1/2 = FNW559SJ
				2 = FNW559SK
				2-1/2 = FNW559SL

# FIGURE 559B Y-STRAINER



## 400 WOG CAST IRON Y-STRAINER

### PARTS BREAKDOWN



### STANDARD MATERIALS

Ref #	Description	Material	Specification	Qty	Notes
1	Body	Cast Iron	ASTM A126-B	1	
2	Screen	Stainless Steel, SUS-304	SUS 304	1	
3	Gasket	Non-Asbestos		1	2-1/2 only
4	Cover	Cast Iron, ASTM A126-B	ASTM A126-B	1	2-1/2 only
5	Hex. Head Bolt	Steel, ASTM A307-A	ASTM A307-A	1 Set	2-1/2 only
6	Plug	Malleable Iron, ASTM A197-B	ASTM A197-B	1	
7	Cap	Ductile Iron, ASTM A536	ASTM A536	1	

### DIMENSIONS (INCHES)

Size	A	B	C (NPT)	øD	L	M (NPT)
1/2	3.4	2.4	1/2	0.70	2.41	3/8
3/4	4.0	2.8	3/4	0.91	2.59	1/2
1	4.6	3.3	1	1.19	3.34	1/2
1-1/4	5.4	3.9	1-1/4	1.45	3.94	3/4
1-1/2	6.1	4.6	1-1/2	1.78	4.53	3/4
2	7.5	5.3	2	2.36	5.28	1
2-1/2	9.0	7.19	2-1/2	2.70	6.50	1-1/4