

SPECIFICATIONS

Notes:

- 6" plain end inlet/outlet
- Unit weight - w/ cast iron covers: 824 lbs. (for wet weight add 8,413 lbs.)
- Maximum operating temperature: 150° F continuous
- Capacities - Liquid: 1,000 gal.;
Grease: 5,495 lbs. (753 gal.) @100GPM
Grease: 4,959 lbs (679 gal.) @200GPM
Solids: 211 gal.
- Satisfies Miami DERM 99% efficiency requirements; retaining the following capacities at 99.0% efficiency:
5,272 lbs. (722 gal.) @100GPM
3,127 lbs. (428 gal.) @200GPM
- For gravity drainage applications only.
- Do not use for pressure applications.
- Cover placement allows full access to tank for proper maintenance.
- Vent not required unless per local code.
- Engineered inlet and outlet diffusers with inspection ports are removable to inspect / clean piping. For series installations, the top of the inlet diffuser on the first unit in the series must be sealed.
- Integral air relief / Anti-siphon / Sampling access.
- Adjustable cover adapters provide up to 4" of additional height.
- Flow rates are based on 2-minute drain time.
- Designed for both below and above-grade installations.
- Safety Star®, access restrictor built into each cover adapter, prevents accidental entry to tanks (450 lb rating).

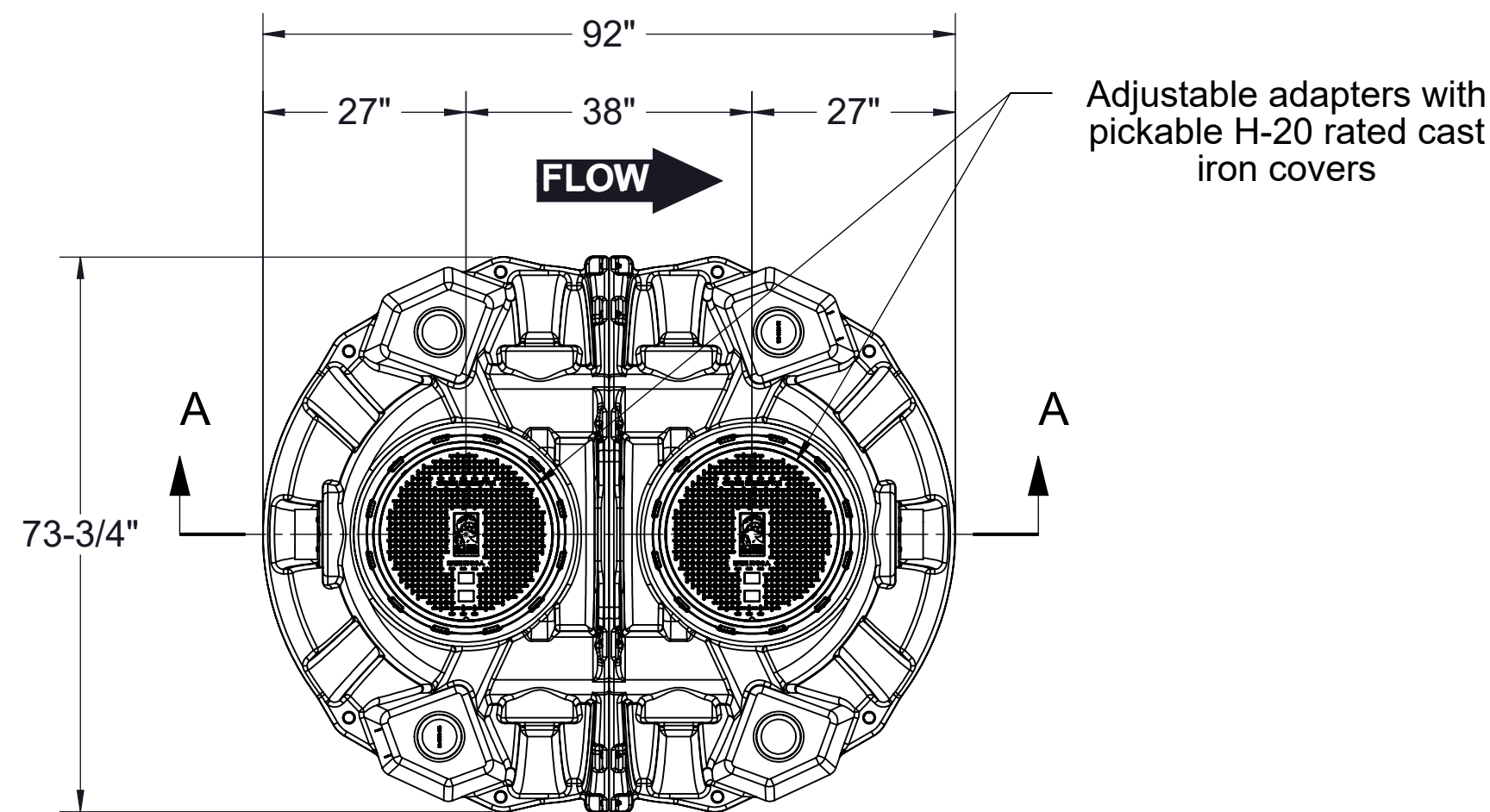
ENGINEER SPECIFICATION GUIDE

Schier Great Basin™ grease interceptor model # GB-1000 shall be lifetime guaranteed and made in USA of seamless, molded polyethylene with minimum 7/16" uniform wall thickness. Interceptor shall be furnished for above or below-grade installation with adjustable cover adapter and Safety Star® access restrictor built into each cover adapter. Interceptor shall be certified to ASME A112.14.3 (Type D) and CSA B481.1 as well as certified to IAPMO/ANSI Z1001-2021. Interceptor flow rate shall be 100 GPM or 200GPM. Interceptor grease capacity shall be 5,495 lbs. Cover shall provide water/gas-tight seal and have minimum 16,000 lbs. load capacity.

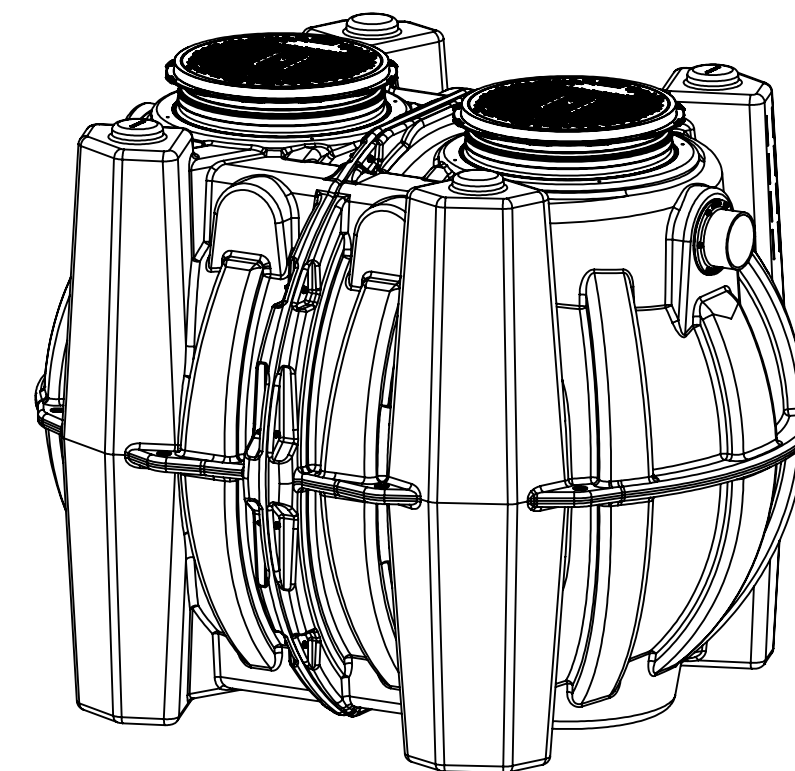
CERTIFIED PERFORMANCE

Great Basin™ hydromechanical grease interceptors are third party performance-tested and listed by IAPMO to ASME #A112.14.3 and CSA B481.1 grease interceptor standards and greatly exceed requirements for grease separation and storage. They are compliant to the Uniform Plumbing Code and the International Plumbing Code.

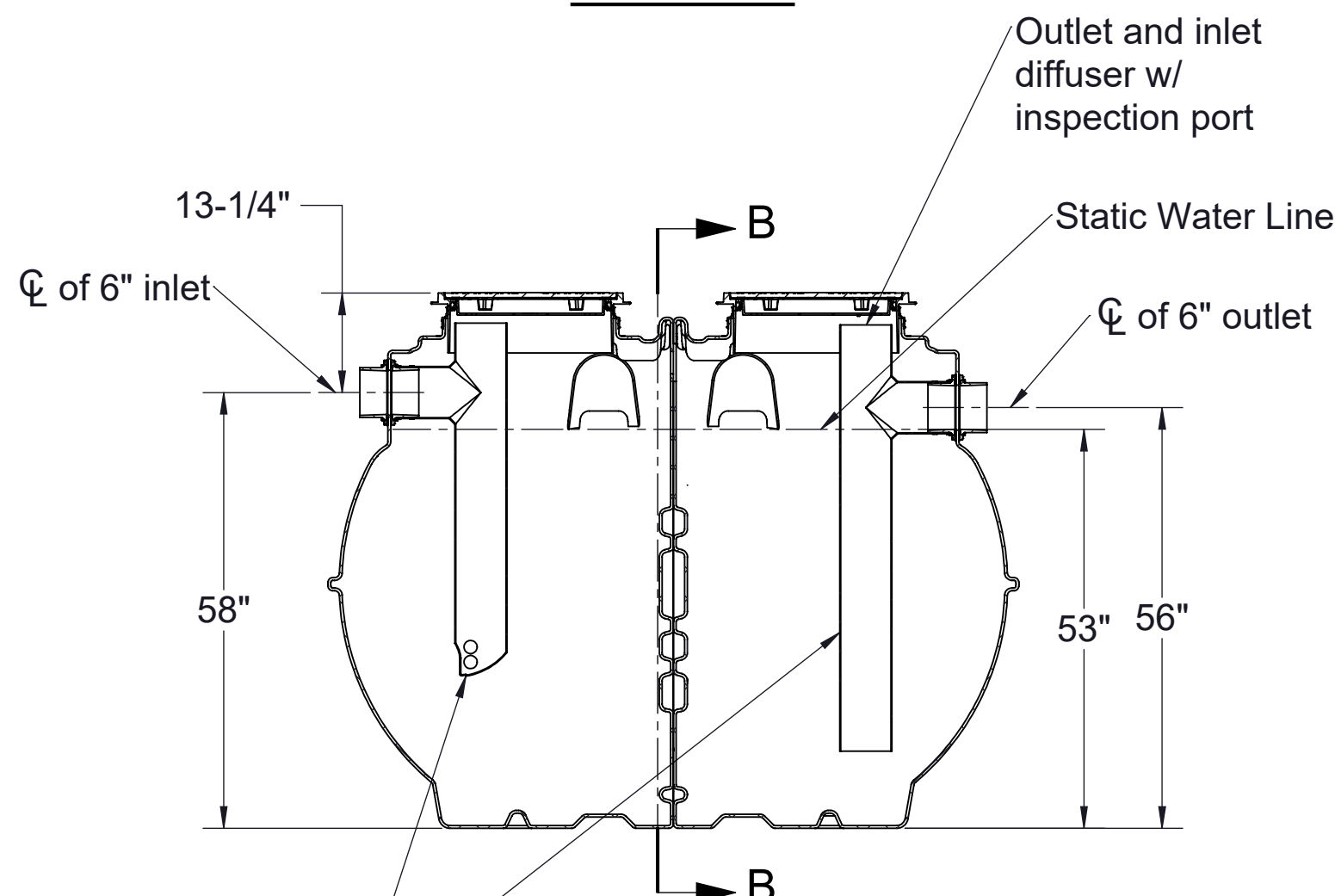
Type D certification does not require a flow control



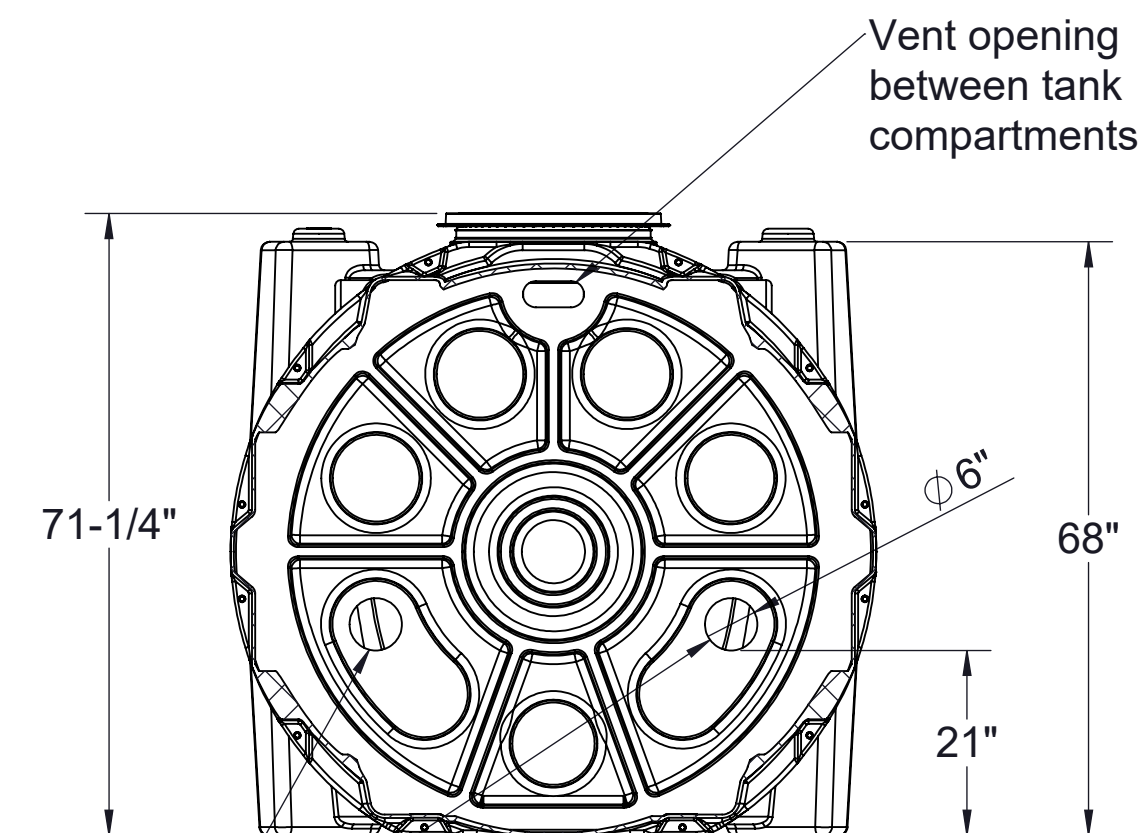
TOP VIEW



ISOMETRIC VIEW



SECTION A-A



SECTION B-B



Satisfies Miami DERM 99% efficiency requirements. Product labels are permanently attached to inside and outside of unit for easy viewing.

SPECIFICATION SHEET

MODEL NUMBER:

PART NUMBER: 4080-002-01

GB-1000

DESCRIPTION:

GB-1000 GREASE INTERCEPTOR 100 GPM/ 200 GPM
6" INLET/OUTLET, H-20 RATED CAST IRON COVER

PROPRIETARY AND CONFIDENTIAL

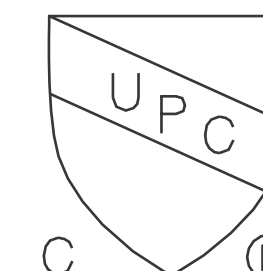
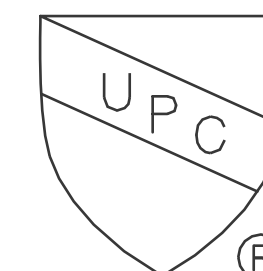
THE INFORMATION CONTAINED IN THIS DRAWING IS THE SOLE PROPERTY OF SCHIER PRODUCTS. ANY REPRODUCTION IN PART OR AS A WHOLE WITHOUT THE WRITTEN PERMISSION OF SCHIER PRODUCTS IS PROHIBITED.

DWG BY: B.BROWN

DATE: 10/18/2021

REV: 02

ECO: 032822TA



SCHIER

6455 Woodland Dr
Shawnee, KS 66218
Tel: 913-951-3300
Fax: 913-951-3399
schierproducts.com