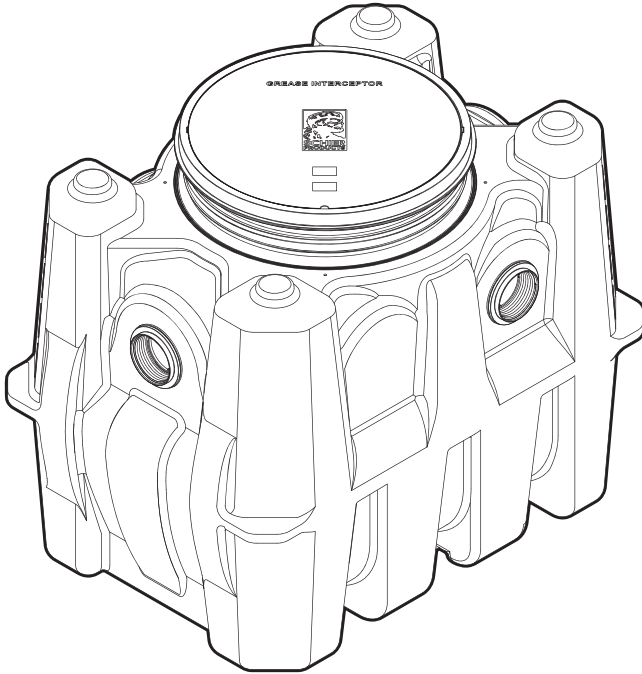

INSTALLATION GUIDE

GB-75 75 GPM Great Basin™ Indoor/Outdoor Grease Interceptor



Contents

Special Precautions	2-3
Getting to Know the GB-75	4
Installation	5-9

Part #: 4045-007-01

Find these instructions online at: schierproducts.com/gb-75



SCHIER



SPECIAL PRECAUTIONS

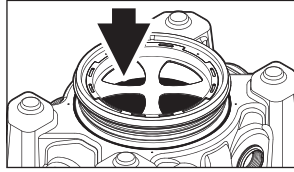
For Schier Grease Interceptor Installations – Failure to follow this guidance voids your warranty

WARNING! DO NOT AIR TEST UNIT OR RISER SYSTEM!
Doing so may result in property damage, personal injury or death.

CAUTION! Do not install this unit in any manner except as described in these instructions.

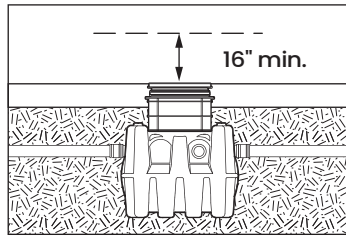
Installation Instructions

Installation instructions and additional components are included with the interceptor. Read all instructions prior to installation. This interceptor is intended to be installed by a licensed plumber in conformance with all local codes.

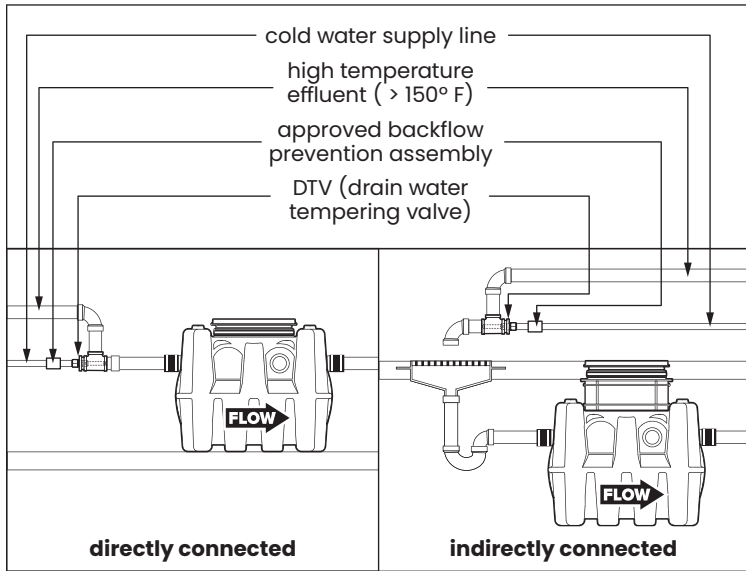


Install interceptor as close as possible to fixtures being served

Provide at least 16" clearance above unit for routine maintenance.



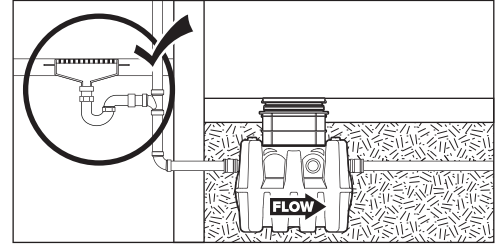
High Temperature Kitchen Water



If water is entering the interceptor at excessive temperature (over 150° F), a drain water tempering valve (DTV) and approved backflow prevention assembly must be installed. Most state and local plumbing codes prohibit water above 150° F being discharged into the sanitary sewer. Water above 150° F will weaken or deform PVC Schedule 40 pipe, poly drainage fixtures like interceptors and erode the coating of cast iron (leading to eventual failure).

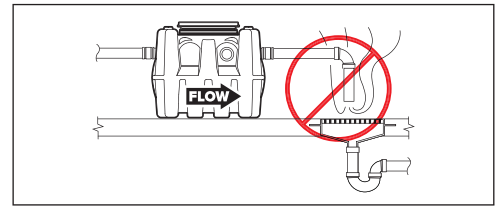
ODOR ALERT!

Interceptor is not a sewer gas trap. All upstream fixtures must be trapped



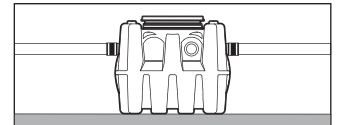
ODOR ALERT!

Do not install air gap on outlet side of interceptor.



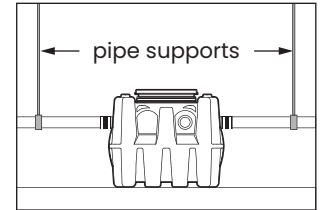
Fully Support Base of Unit

Install unit on solid, level surface in contact with the entire footprint of unit base



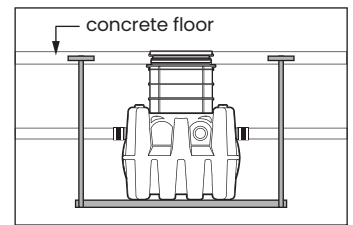
Support Inlet and Outlet Piping

For above grade installations ensure heavy inlet and outlet piping (such as cast iron or long runs) is properly supported or suspended during the entire installation process to prevent connection failure or damage to bulkhead fittings.

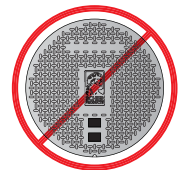


Suspended Installations

Design trapeze to support the wet weight of the unit. Do not partially support unit or suspend unit using metal U-channel to create a trapeze.



DO NOT USE CAST IRON COVERS IN ABOVE GRADE OR INDOOR INSTALLATIONS



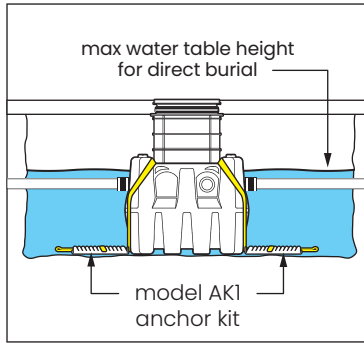


SPECIAL PRECAUTIONS

For Schier Grease Interceptor Installations – Failure to follow this guidance voids your warranty

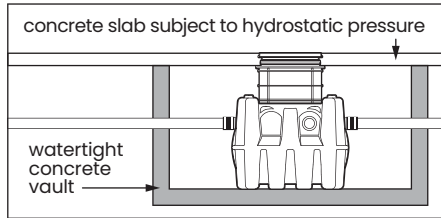
High Water Table Installations

Interceptors and risers are not designed to withstand water table height in excess of the top of the unit when buried (see figure). If it is possible for this to occur, install the interceptor and risers in a water-tight concrete vault or backfill with concrete or flowable fill (wet concrete and flowable backfill should be poured in stages to avoid crushing the interceptor). At risk areas include but are not limited to tidal surge areas, floodplains and areas that receive storm water. Great Basin™ models that are direct buried in high water table scenarios must be installed with an anchor kit. Model GB-75 uses model AK1 anchor kit.

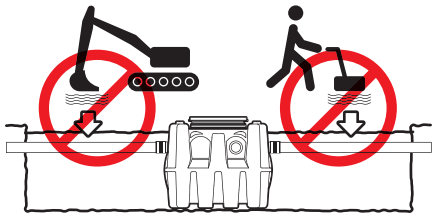


Hydrostatic/Pressure Slabs

When installed under a hydrostatic slab (slab designed to withstand upward lift, usually caused by hydrostatic pressure) interceptor must be enclosed in a watertight concrete vault.

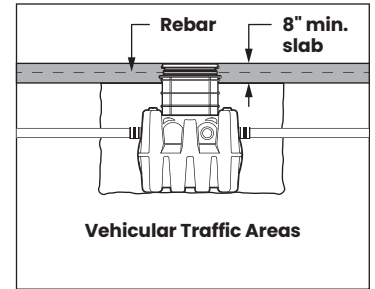
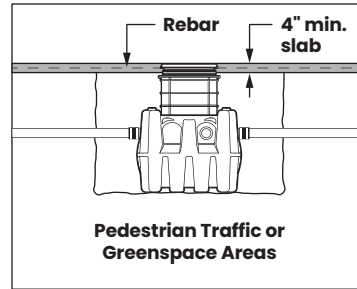


DO NOT COMPACT BACKFILL

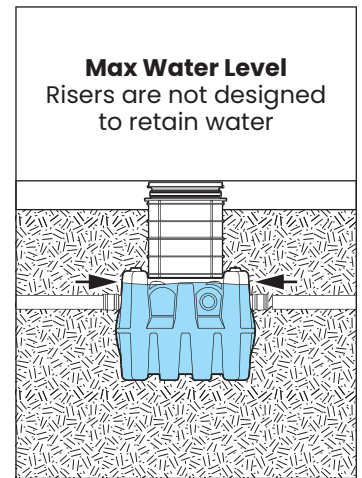
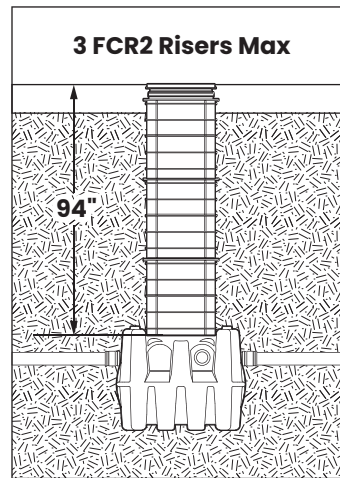


Below Grade Installation Slab Requirements

A concrete slab to finished grade with rebar is required when installing interceptor below grade.

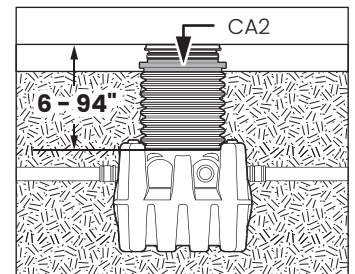


Installations with Risers

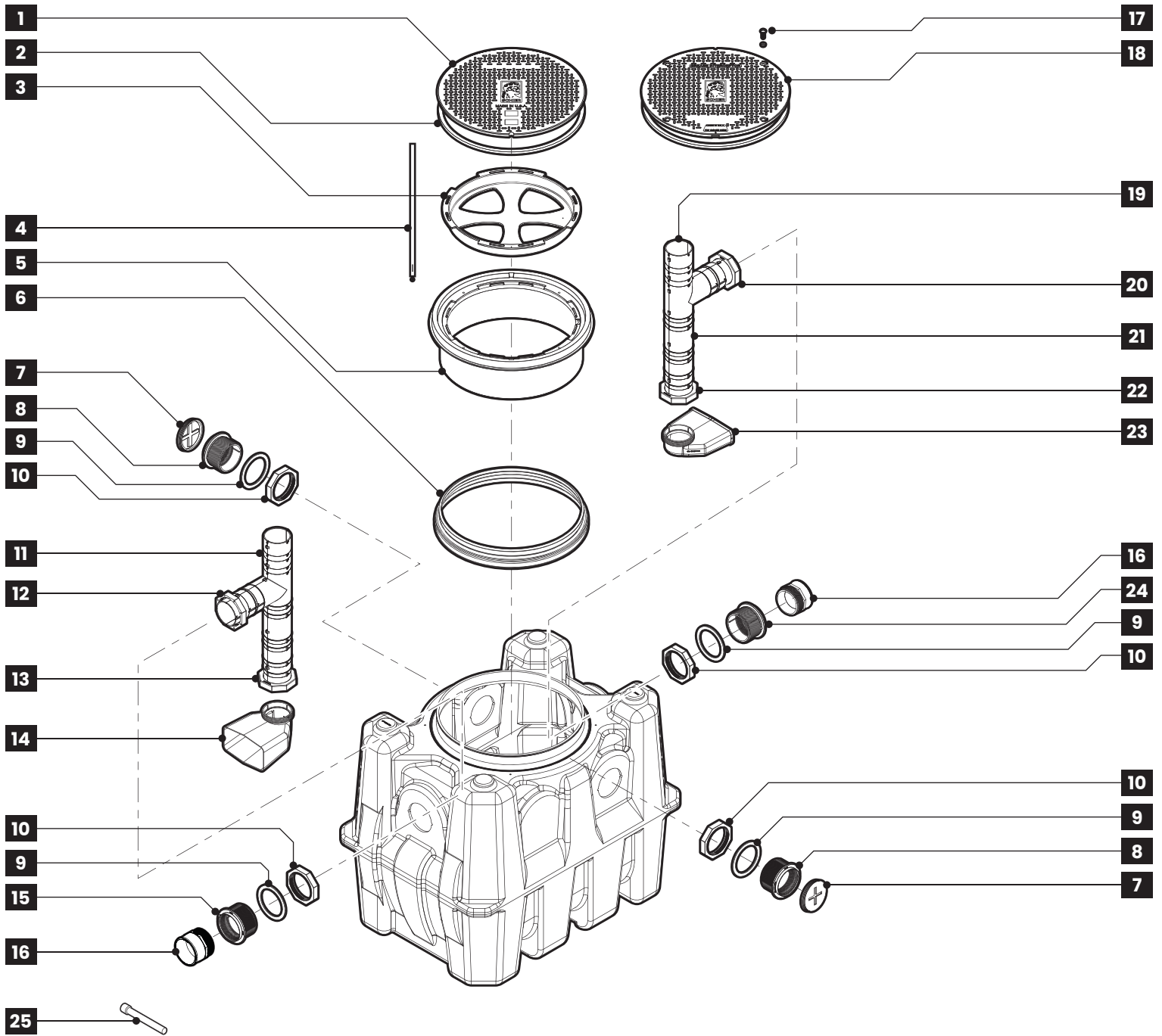


Corrugated Riser Pipe Requirements

Riser adapter model CA2 must be used when installing interceptors using 24" diameter corrugated pipe as a riser. This will adequately embed the cover adapter in the concrete slab, preventing cover/cover adapter failure under traffic rated loads.



GETTING TO KNOW THE GB-75

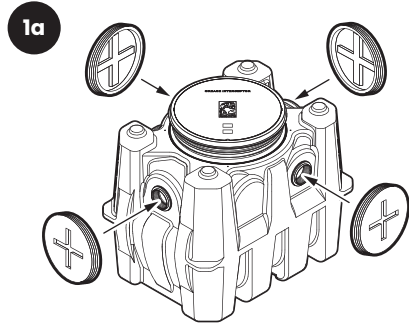


1. Pickable cast iron cover (standard)
2. Cover gasket
3. Safety Star
4. Safety Star tether
5. Cover adapter
6. Cover adapter gasket assembly with upper and lower stainless steel band clamps
7. 4" cleanout plug (x2)
8. Outlet bulkhead connection (optional) 4" FPT (x2)

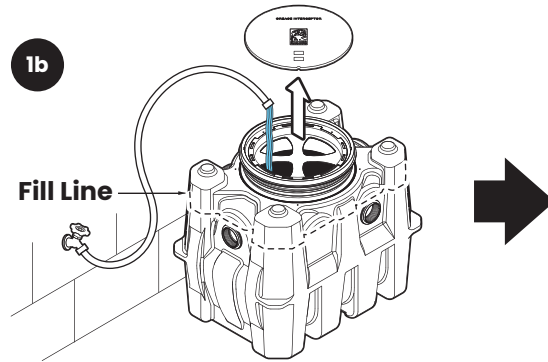
9. Bulkhead connection gasket
10. Bulkhead connection retaining nut
11. Inlet diffuser
12. Inlet diffuser retaining nut
13. Inlet diffuser foot retaining nut
14. Inlet diffuser (foot)
15. Inlet bulkhead connection 4" FPT
16. 4" plain end fitting (x2)
17. Composite cover bolts and washers (x4)

18. Bolted composite cover (optional)
19. Air relief/visual access
20. Outlet diffuser retaining nut
21. Outlet diffuser
22. Outlet diffuser foot retaining nut
23. Outlet diffuser (foot)
24. Outlet bulkhead connection (standard) 4" FPT
25. 7/16" nut driver bit

1 Test tank for water tightness

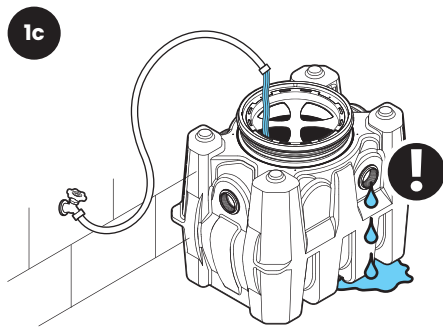


Cap all connection points with 4" cleanout plugs using pipe thread sealant or tape approved for use with plastics.



Remove cover. For base unit testing fill with water to just above the highest connection.

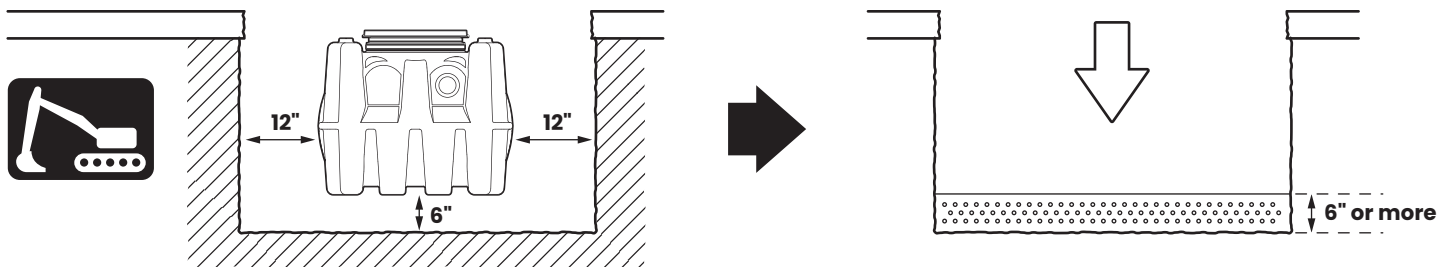
Inspect unit, connections and gaskets for leaks. Check water level at specific time intervals per local code.



Have a Leak?

Call customer care at 913-951-3300
Hours 8am-5pm CST, M-F

2 Excavate Burial Pit ONLY



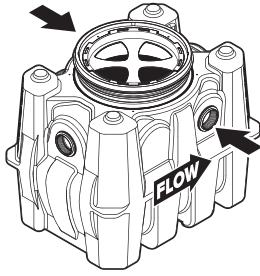
Excavate hole at least 12" larger than interceptor on all sides and 6" deeper than tank bottom. Lay a level bed of well-packed, crushed aggregate (approximately 3/4" size rock or sand, with no fines) in the base of hole.

3 Set Up Outlet Diffuser and Install Cleanout Plugs

3a Choose outlet location.

Side Outlet:

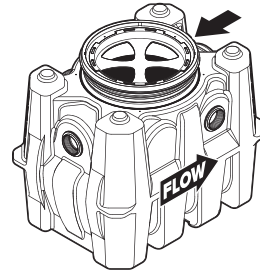
Go to Step 3b.



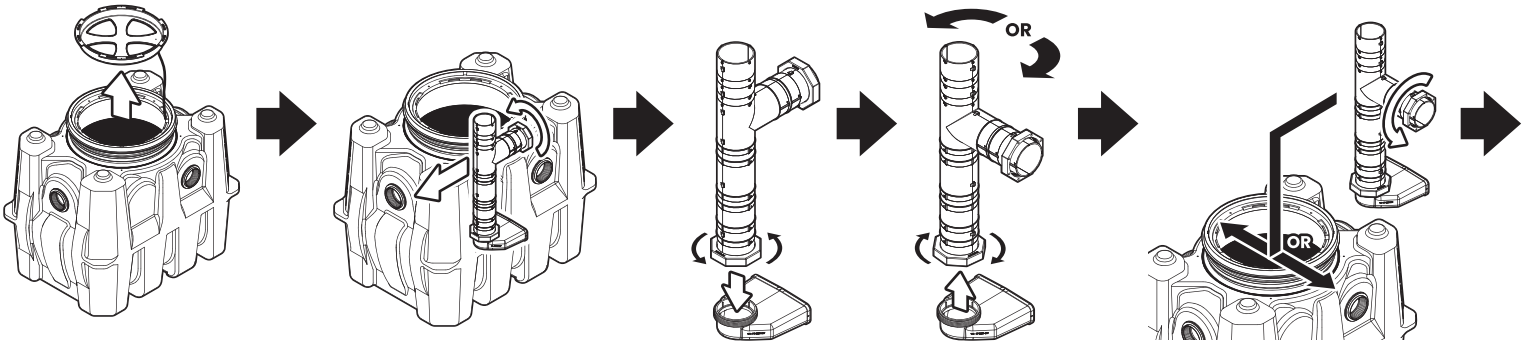
OR

Straight Through:

Go to Step 3c.

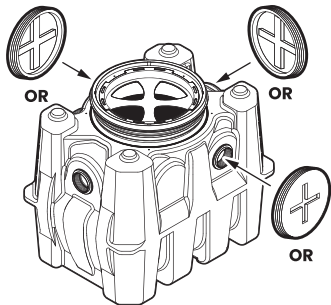


3b Reposition outlet diffuser (side outlets only)



Remove safety star insert, leave tethered to unit. Unscrew diffuser retaining nut and remove outlet diffuser. Unscrew diffuser foot retaining nut and remove outlet diffuser foot. Rotate diffuser toward chosen outlet, replace foot ensuring it will point to the back wall of the unit and hand tighten foot retaining nut. Insert diffuser into chosen outlet and hand tighten retaining nut.

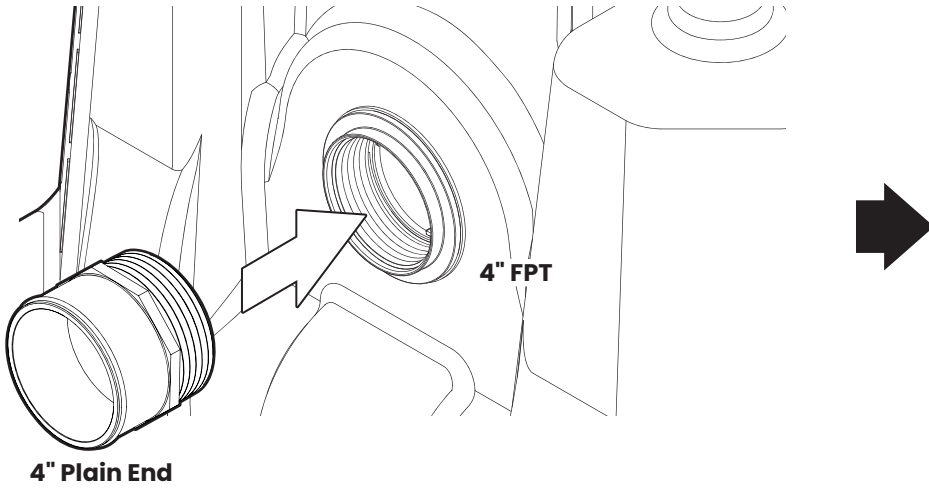
3c Cap unused connections (all configurations)



Screw in provided 4" cleanout plugs using pipe thread sealant or tape approved for use with plastics. **Do not cap the inlet or outlet connections attached to the diffusers.**

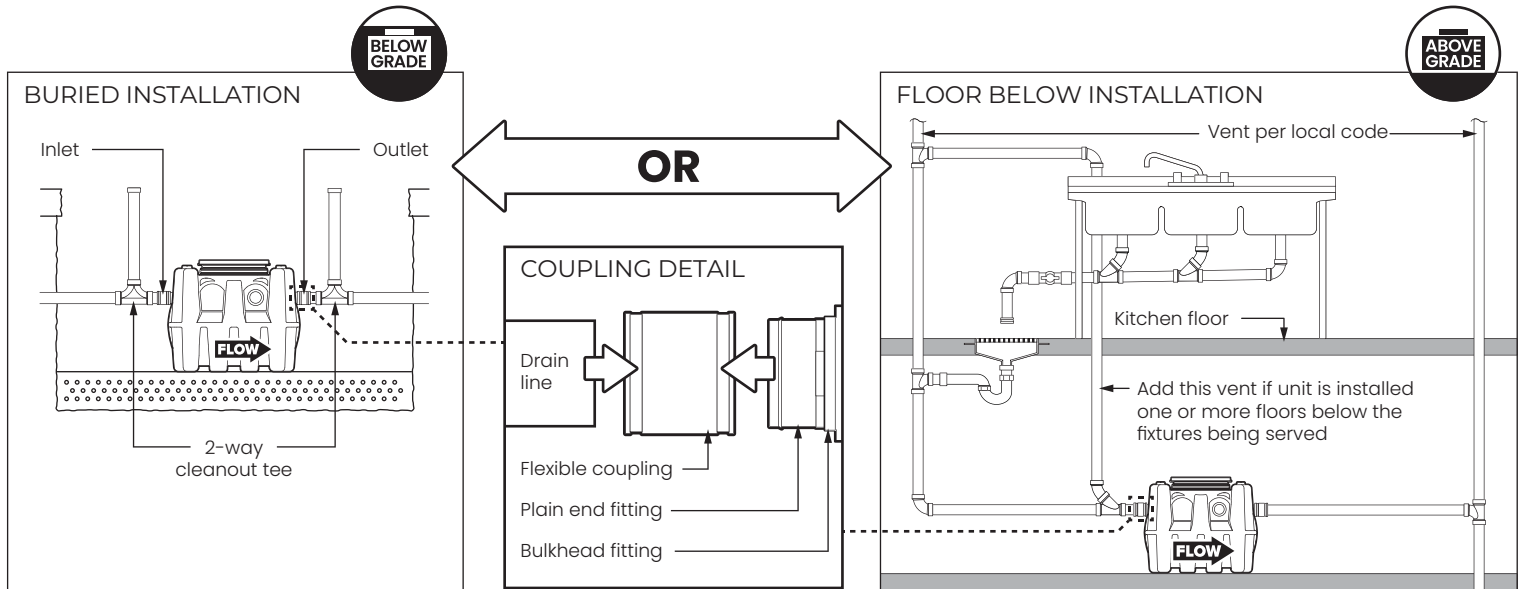
4 Connect Piping

4a Install plain end fittings



Screw plain end fittings (included) into bulkhead fittings using pipe thread sealant or tape approved for use with plastics. 6" connection types come pre-installed from the factory.

4b Connect interceptor to drain lines



Place unit into final position and set level. Mechanically couple inlet and outlet drainage lines to unit. **Do not solvent weld.** Ensure all upstream fixtures are trapped. Vent per local code. Installation of 2-way cleanout tees to grade (by others) is recommended for buried installations.

5 Wet or Air Test Piping Per Local Code

! WARNING! DO NOT AIR TEST UNIT OR RISER SYSTEM!
Doing so may result in property damage, personal injury or death.

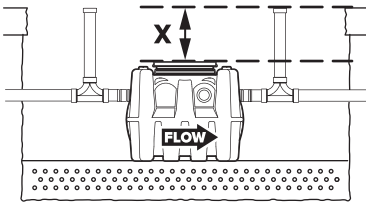


Have a Leak? Call customer care at 913-951-3300
Hours 8am-5pm CST, M-F

6 Bring Covers Flush-to-Grade ONLY

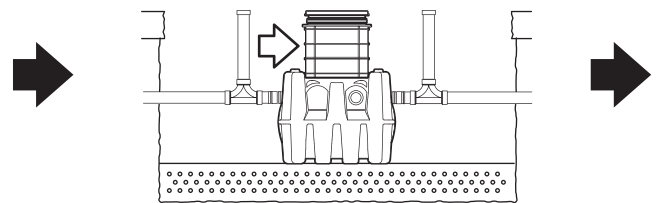
The GB-75 is ready for burial depth of 40" from finished grade to bottom of tank (or 13-1/2" to centerline of inlet). Deeper burials will require extending the cover adapters and possibly adding risers.

6a Measure dimension X to determine riser height needed.



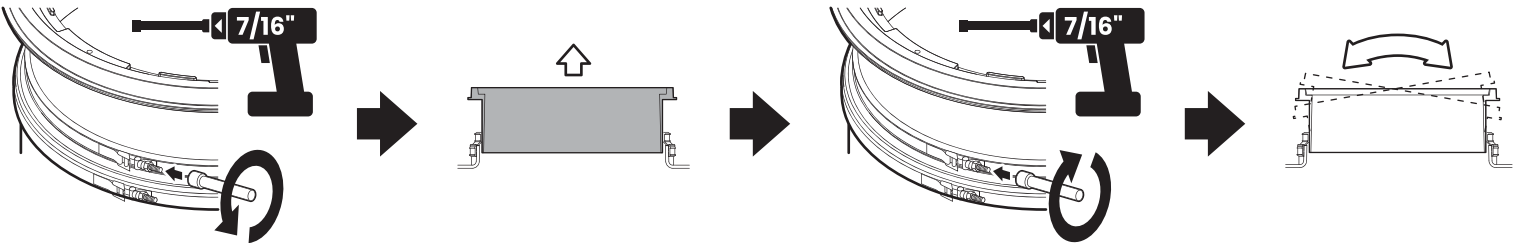
Riser Height Needed	Risers Required
0" - 4"	None (use adapter)
>4" - 34"	FCR2 (x1)
>34" - 64"	FCR2 (x2)
>64" - 94"	FCR2 (x3)

6b Install risers if required

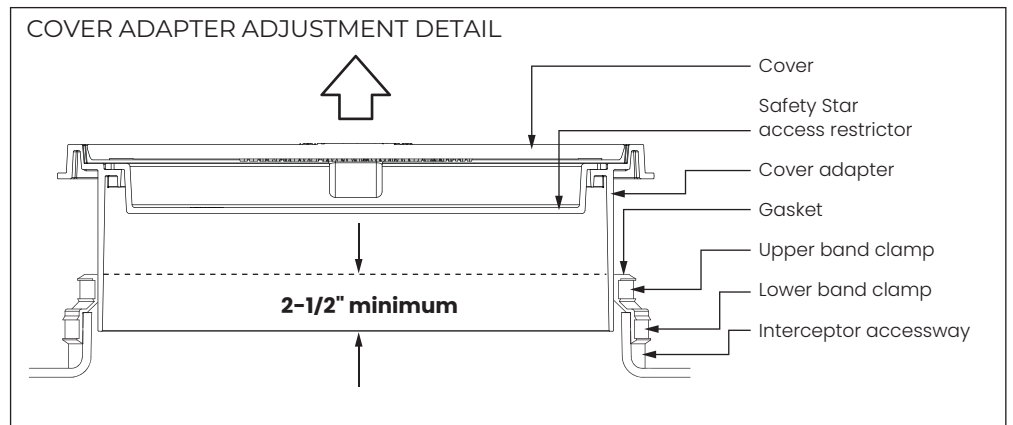


See instructions included with FCR2.

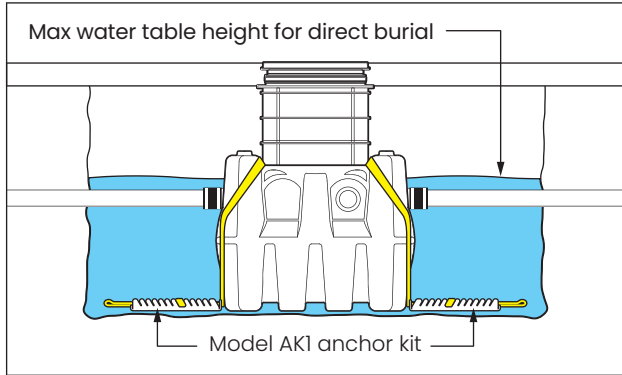
6c Make final cover adapter adjustments



Loosen the cover adapter upper band clamp using 7/16" Nut Driver Bit. Adjust cover adapter heights as needed. **Maintain a minimum 2-1/2" insertion depth.** Tighten upper band clamp to 5-8 ft. lbs. of torque using 7/16" nut driver Bit. If required, cover adapters may now be tilted up to 10° in any direction using gasket flexibility.

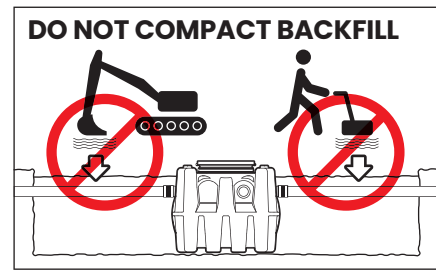
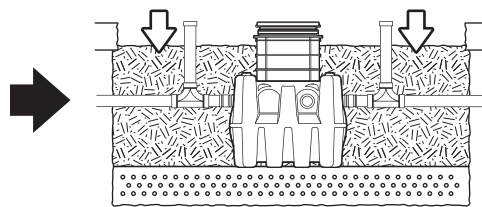
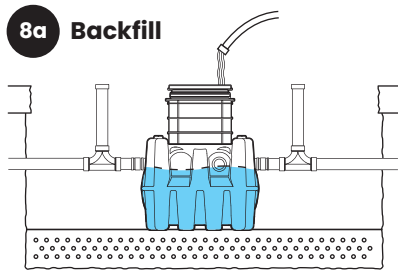


7 Install Anti-Flotation Anchor Kit ONLY



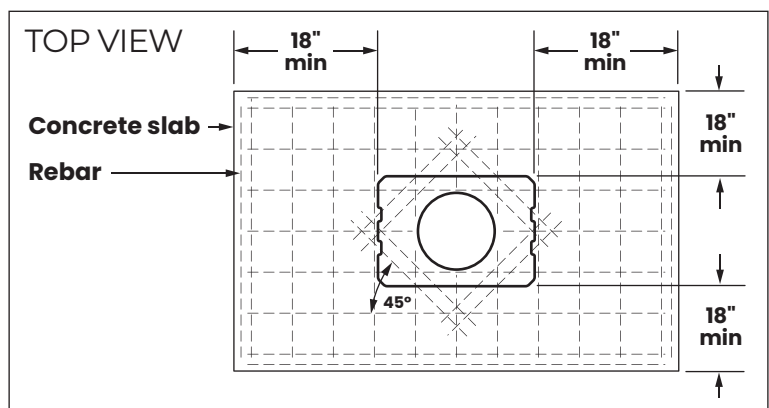
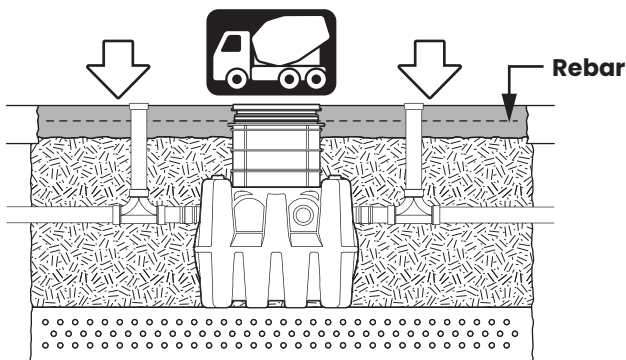
If the installation location is in a high water table or at risk area (including but not limited to tidal surge areas, floodplains and areas that receive storm water) the GB-75 must be installed with Schier model AK1 anchor kit.

8 Backfill and Finished Grade ONLY



Fill unit with water for stabilization and float-out prevention. Backfill evenly around tank using crushed aggregate (approximately 3/4" size rock or sand with no fines) or flowable fill. **Do not compact backfill around unit.**

8b Pour concrete slab to finished grade



Vehicular Traffic Areas:

Minimum 8" thick concrete slab with rebar required. Thickness of concrete around covers to be determined by specifying engineer. If traffic loading is required the concrete slab dimensions shown are for guideline purposes only. Concrete to be 28 day compressive strength to 4,000 PSI. Use No. 4 rebar (ϕ 1/2") grade 60 steel per ASTM A615: connected with tie wire. Rebar to be 2-1/2" from edge of concrete and spaced in a 12" grid with 4" spacing around access openings.

Pedestrian Traffic or Greenspace Areas:

Minimum 4" thick concrete slab with rebar required.