

SIGNATURE

KITCHEN SUITE

WALL OVEN

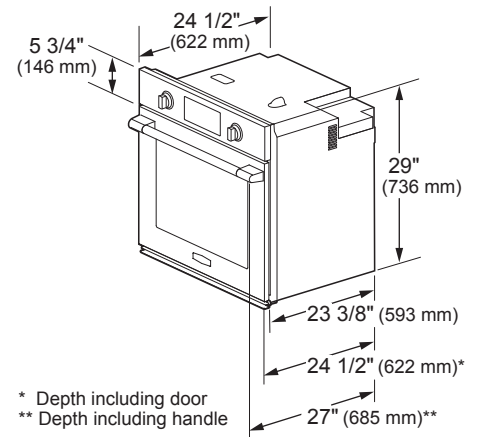
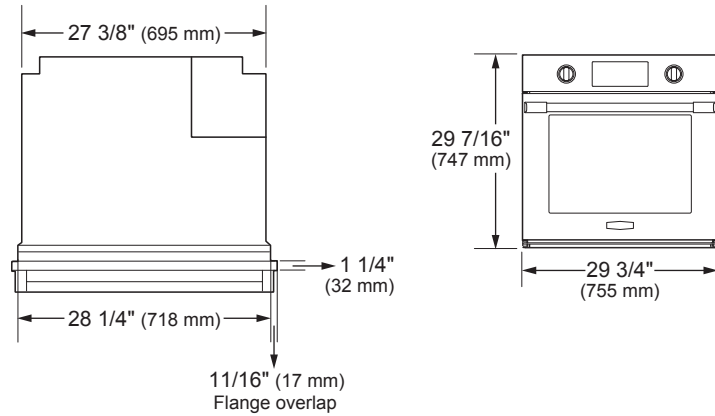
PLANNING / INSTALLATION GUIDE



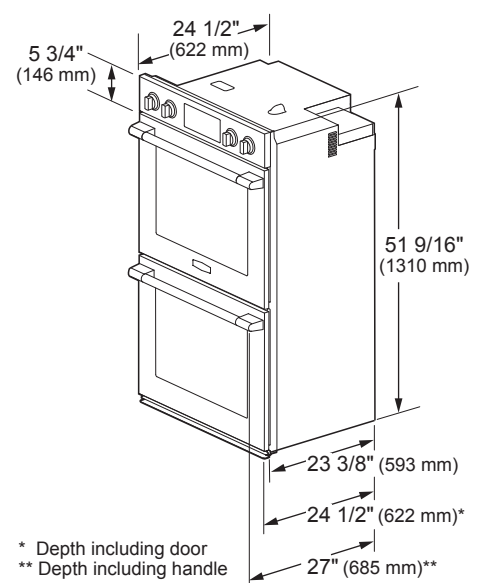
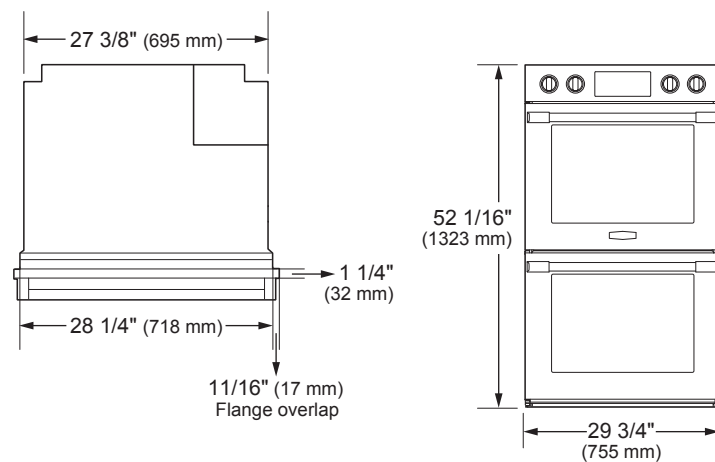
WALL OVEN

PRODUCT DIMENSIONS

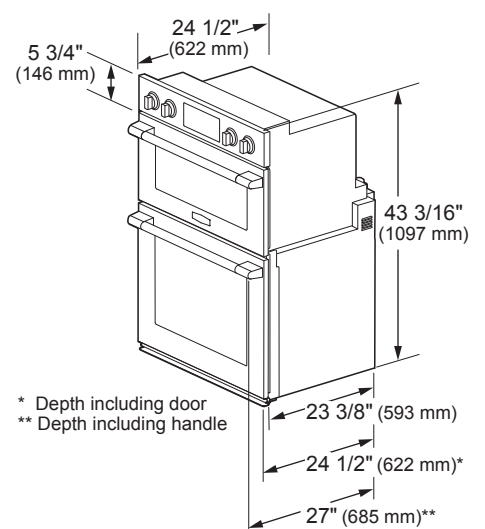
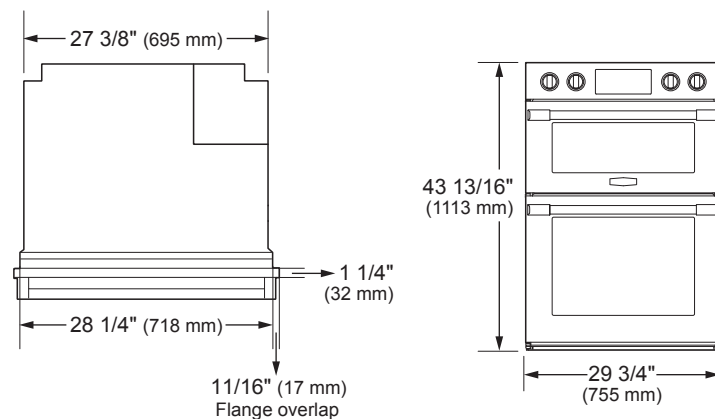
SINGLE WALL OVEN – SKSSV3001S



DOUBLE WALL OVEN – SKSDV3002S



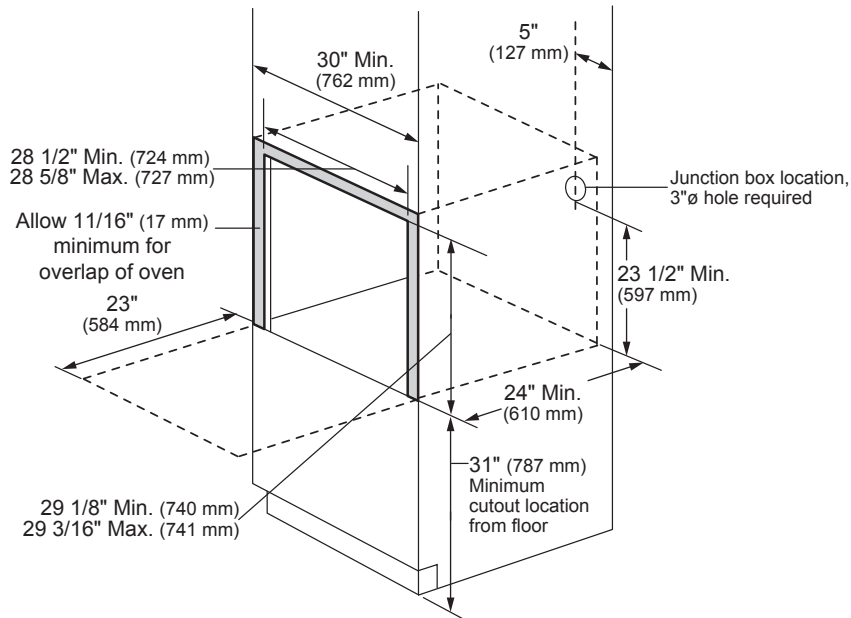
COMBINATION WALL OVEN – SKSCV3002S



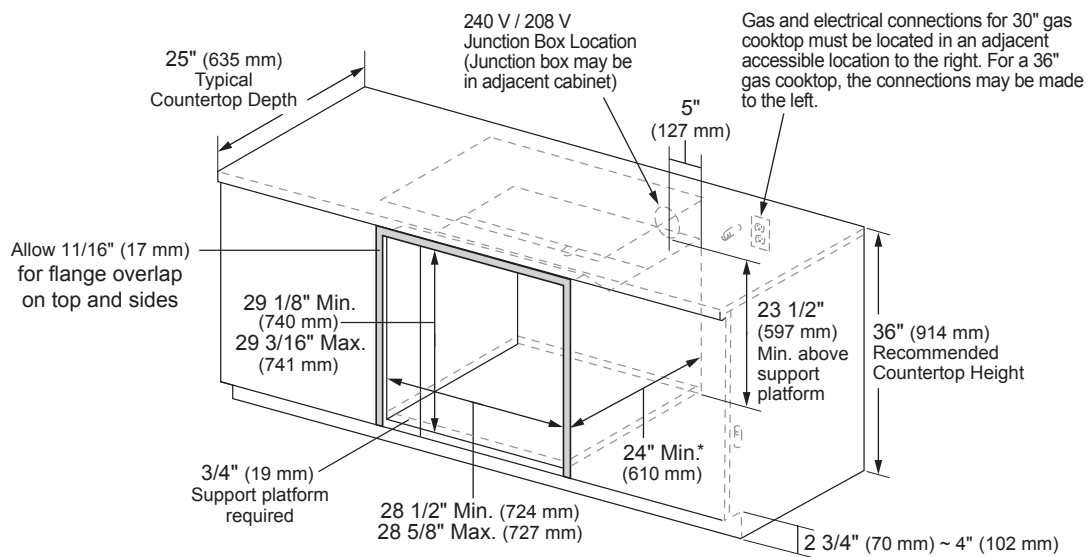
WALL OVEN PROUD INSTALLATION

SINGLE WALL OVEN – SKSSV3001S

CUTOUT DIMENSIONS – PROUD INSTALLATION IN WALL CABINET



CUTOUT DIMENSIONS – UNDERCOUNTER INSTALLATION

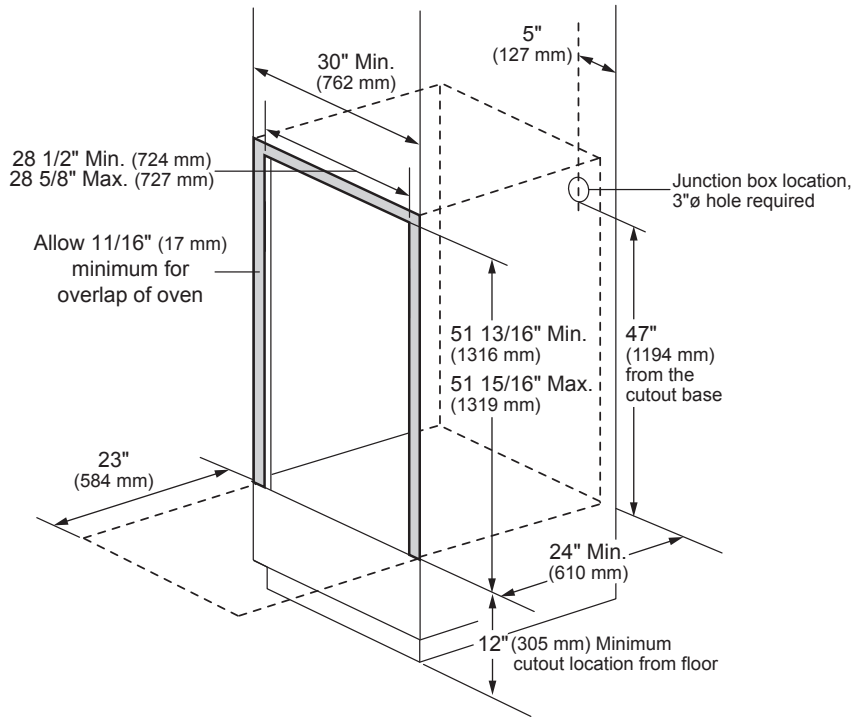


*25" Min. (635 mm) cutout depth required for undercounter flush installation.
Refer to installation art for flush installation in wall cabinet for required cutout dimensions.

WALL OVEN PROUD INSTALLATION

DOUBLE WALL OVEN – SKSDV3002S

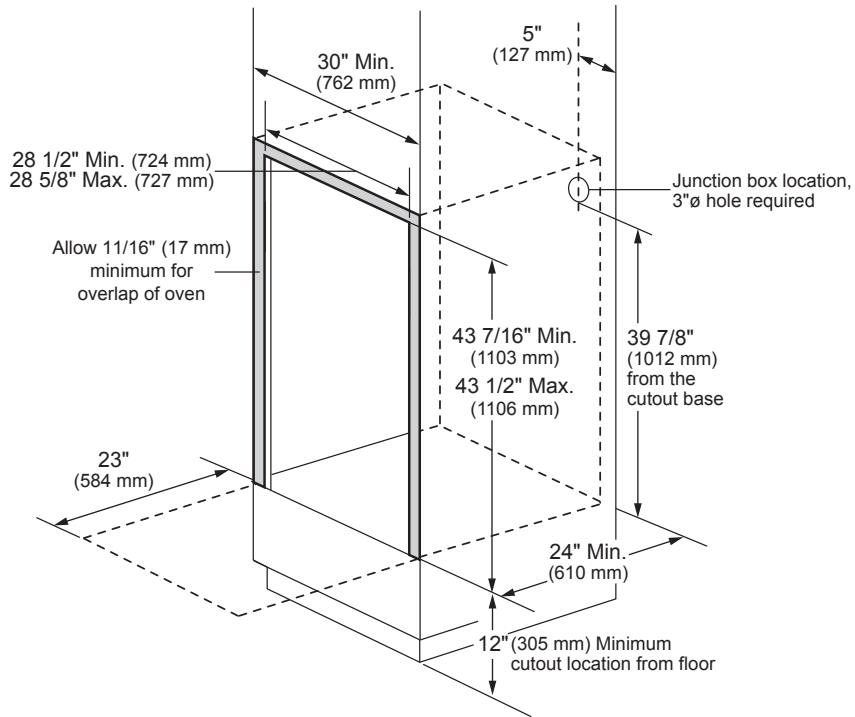
CUTOUT DIMENSIONS – PROUD INSTALLATION IN WALL CABINET



WALL OVEN PROUD INSTALLATION

COMBINATION WALL OVEN - SKSCV3002S

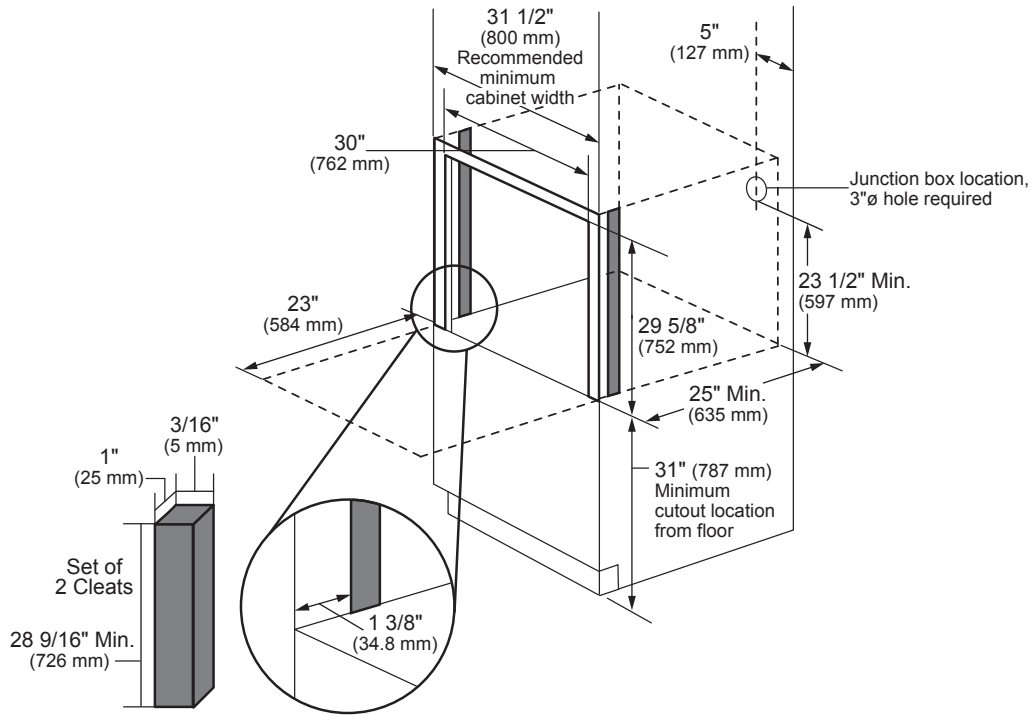
CUTOUT DIMENSIONS – PROUD INSTALLATION IN WALL CABINET



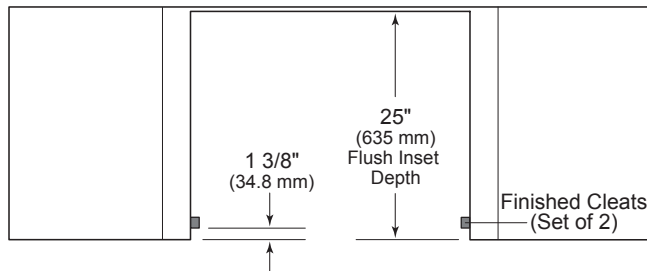
WALL OVEN FLUSH INSTALLATION

SINGLE WALL OVEN – SKSSV3001S

CUTOUT DIMENSIONS – FLUSH INSTALLATION IN WALL CABINET



TOP VIEW



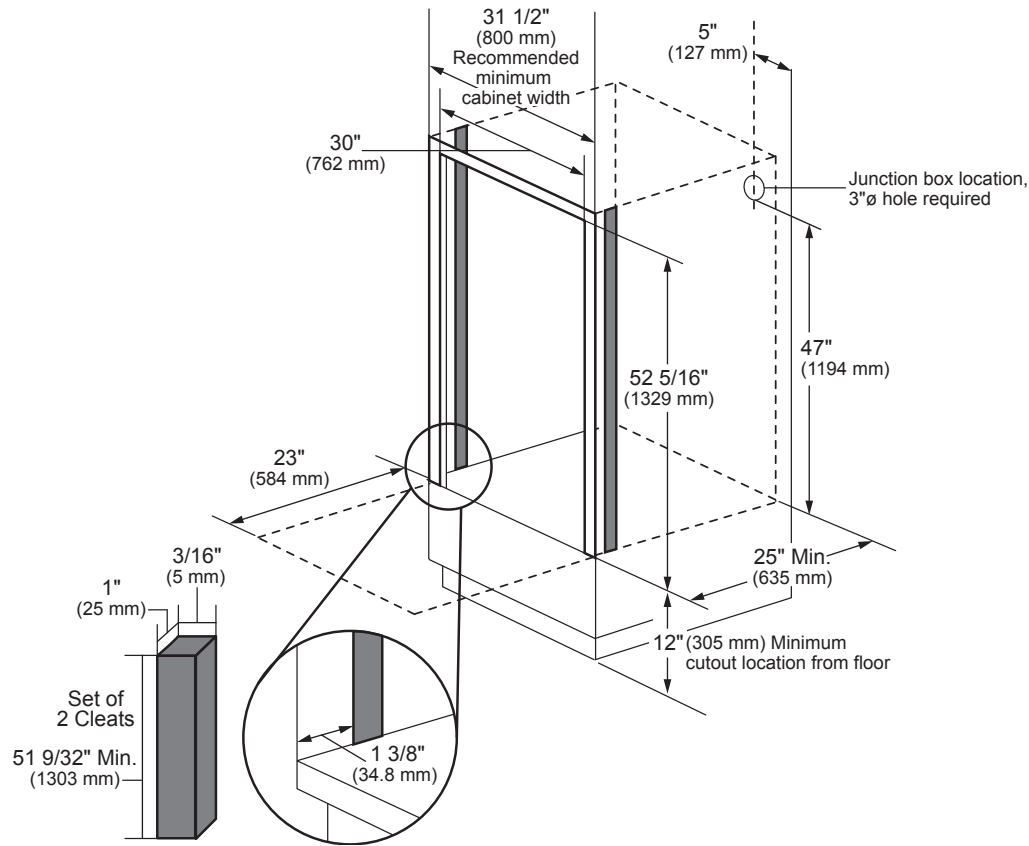
Notes

Cleats (spacers) must be recessed 1 3/8" (34.8 mm) from the front of the cabinet.

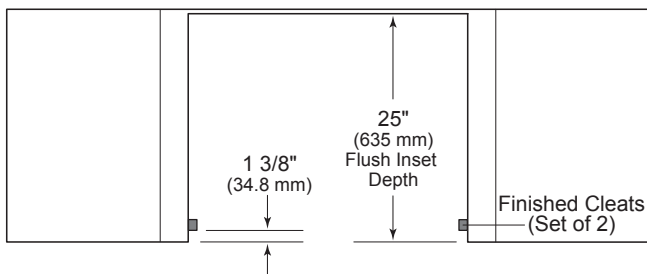
WALL OVEN FLUSH INSTALLATION

DOUBLE WALL OVEN – SKSDV3002S

CUTOUT DIMENSIONS – FLUSH INSTALLATION IN WALL CABINET



TOP VIEW



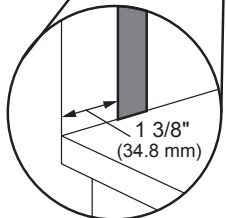
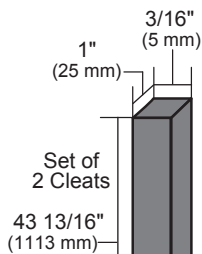
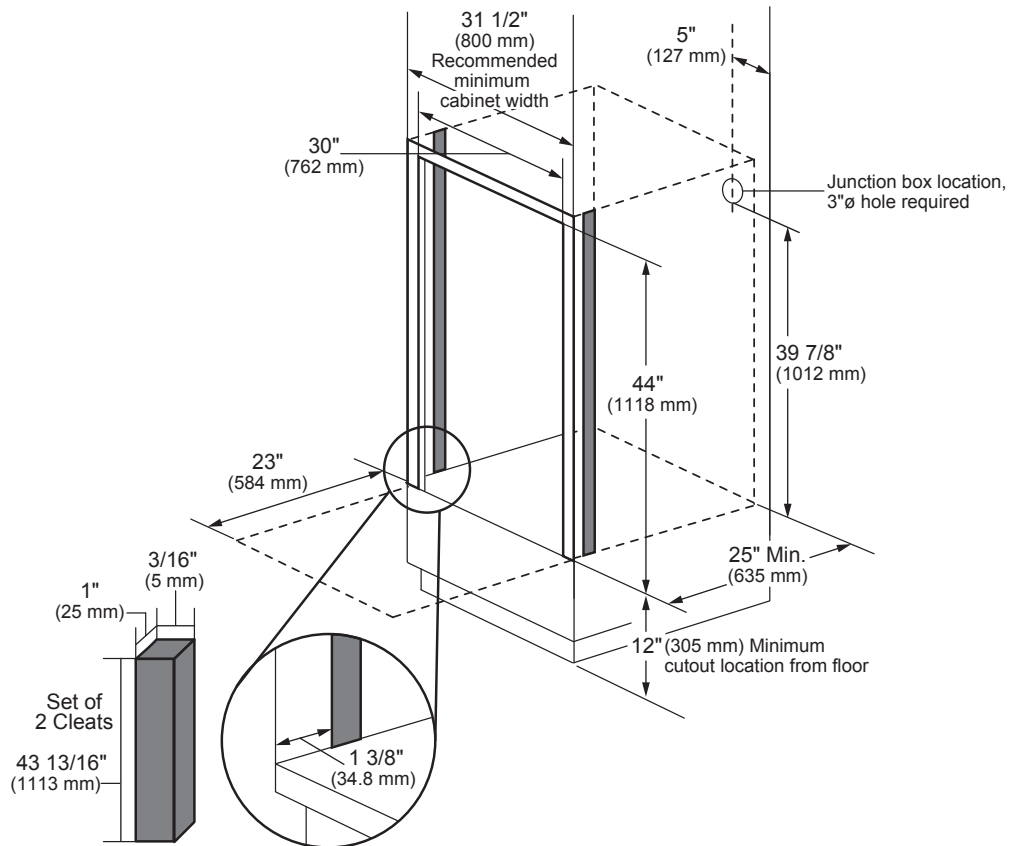
Notes

Cleats (spacers) must be recessed 1 3/8" (34.8 mm) from the front of the cabinet.

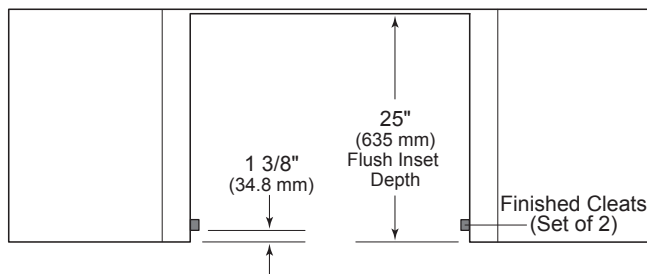
WALL OVEN FLUSH INSTALLATION

COMBINATION WALL OVEN – SKSCV3002S

CUTOUT DIMENSIONS – FLUSH INSTALLATION IN WALL CABINET



TOP VIEW



Notes

Cleats (spacers) must be recessed 1 3/8" (34.8 mm) from the front of the cabinet.