

# Repair Parts

E80-A11A-17ABCP

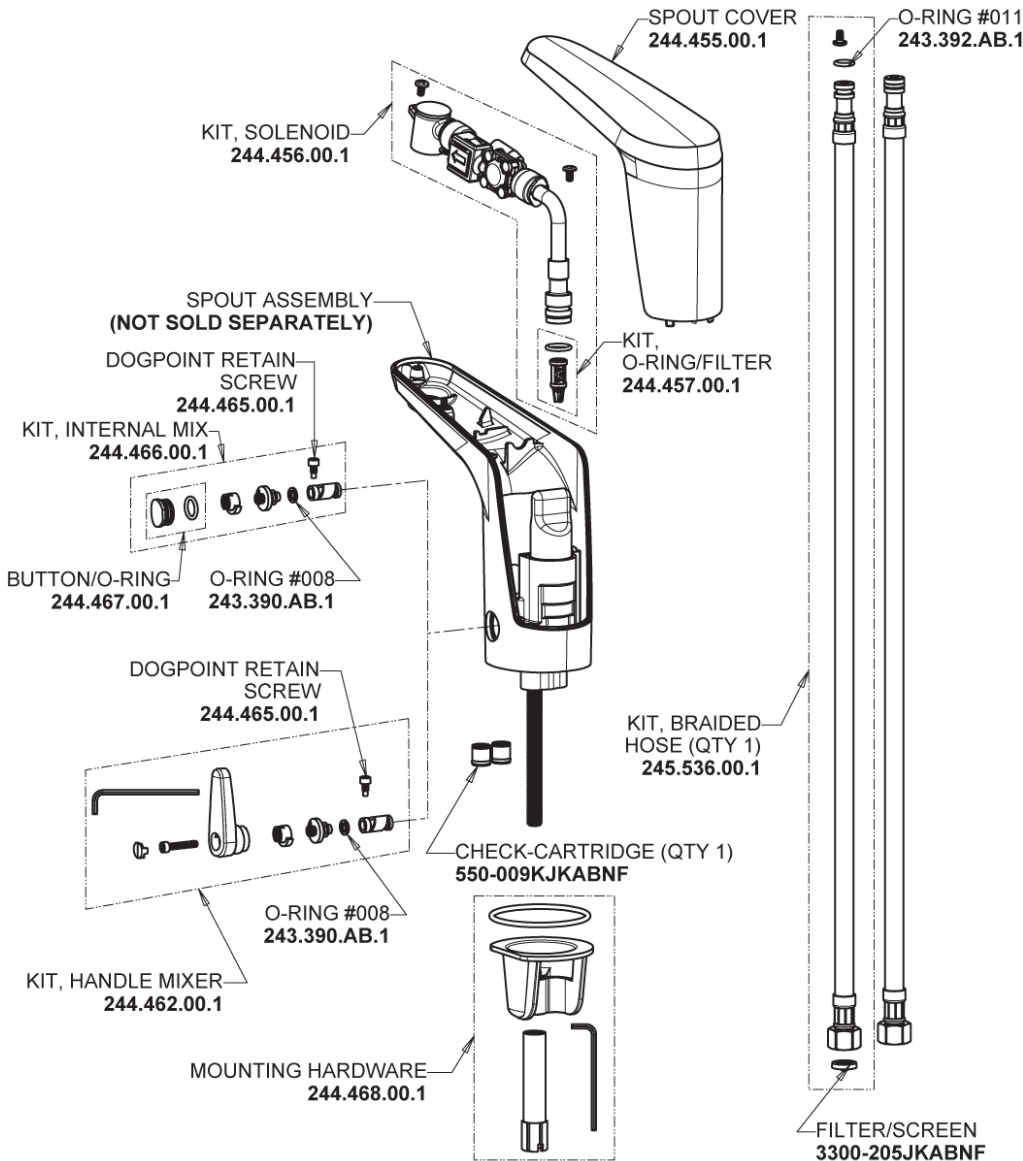
Advanced electronic commercial faucet with touchless sensor operation and ASSE 1070 scald protection

# CHICAGO FAUCETS®

Geberit Group

E-Tronic 80 Base with Thermostatic Mixer

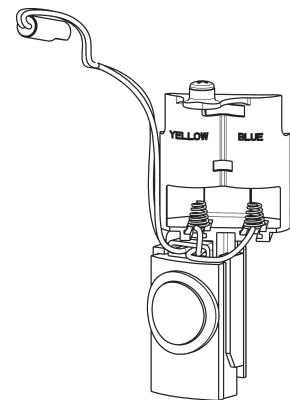
## Base Parts:



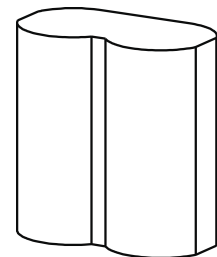
0.5 GPM (1.9 L/min) Vandal Proof Pressure Compensating Econo-Flo Non-Aerating Spray Outlet  
**243.145.AB.1**



Electronic Module  
**244.458.00.1**



CR-P2 6V Lithium Battery  
**242.560.00.1**



## For Technical Assistance:

Phone: 800-TEC-TRUE (832-8783)

Email: [techsupport.us@chicagofaucets.com](mailto:techsupport.us@chicagofaucets.com)

2100 South Clearwater Drive

Des Plaines, IL 60018

Phone: 847-803-5000

[chicagofaucets.com](http://chicagofaucets.com)