

## 36" Induction Cooktop

Induction Cooktop

Available Products: ECCI3668AS

Available Colors: Stainless Steel

Version: 08/22



## Product Specifications

### Cooktop

Cooking Surface Type	Smooth
Auto Pan Detect	Yes

### Display

Display Interface Color	White
Display Type	Capacitive Touch
Control Location	Front

### Electrical Specifications

Minimum Circuit Required	40 Amps
Voltage Rating	240 V

### Certifications and Approvals

ADA Compliant	Yes
---------------	-----

### Cooktop Performance

Right Front Element Burner Size	8"
Left Front Element Burner Size	7"
Left Rear Element Burner Size	7"
Center Front Element Burner Size	8"
Center Rear Element Burner Size	6"
Right Front Element Burner	3,600 Watts
Left Front Element Burner	2,600 Watts
Left Rear Element Burner	2,600 Watts
Center Front Element Burner	3,600 Watts
Center Rear Element Burner	2,500 Watts

### Dimensions and Volume

Height	4 3/8"
Width	36 3/4"
Depth	21 3/8"
Maximum Cutout Width	36 1/8"
Minimum Cutout Width	33 7/8"

### General Specifications

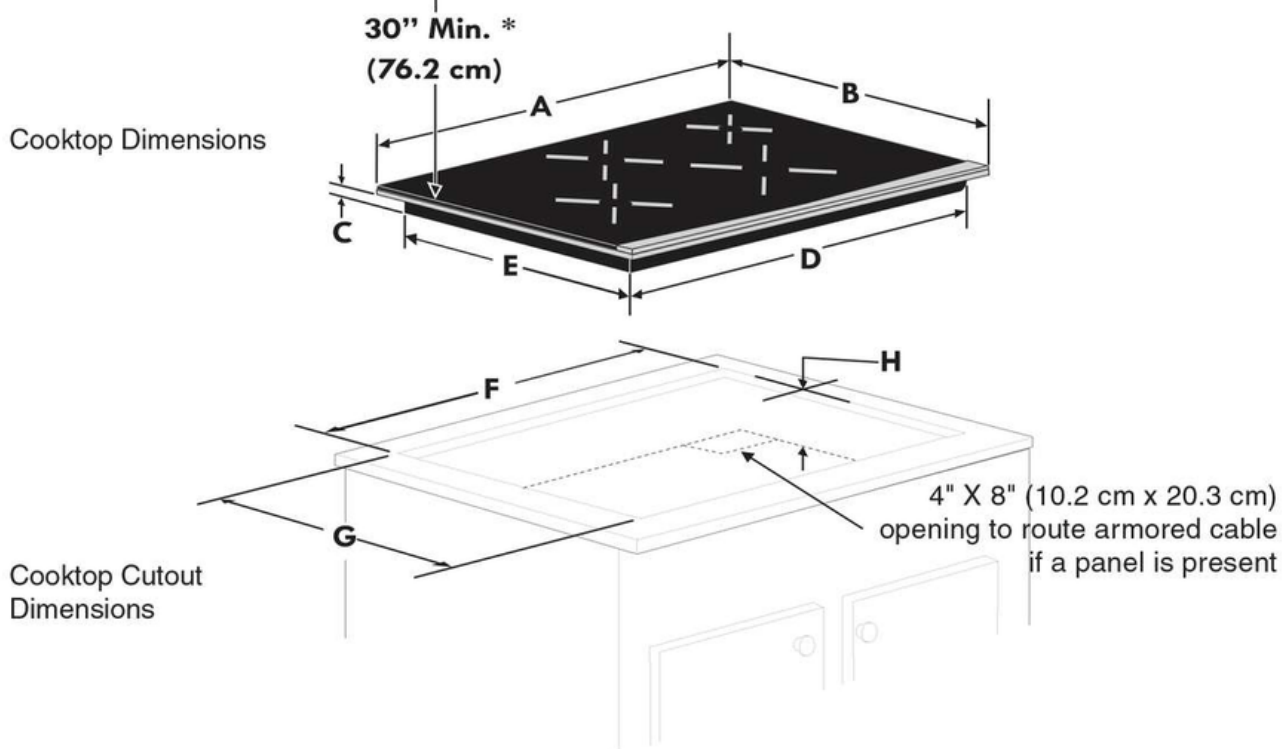
Prop 65 Label	Yes
Warranty - Labor	1 Year
Warranty - Parts	1 Year

### Safety Certifications and Approvals

UL Listed	Yes
cUL Listed	Yes

## Installation Diagram

\* 30" (76.2 cm) min. for unprotected cabinet and 24" (61 cm) min. for cabinet with protected bottom surface.



COOKTOP DIMENSIONS					CUTOUT DIMENSIONS				
A. WIDTH	B. DEPTH	C. HEIGHT	D. WIDTH	E. DEPTH	F. WIDTH		G. DEPTH		H. HEIGHT
					Min.	Max.	Min.	Max.	
30 <sup>5</sup> / <sub>8</sub> (77.8)	21 <sup>3</sup> / <sub>8</sub> (54.4)	2 <sup>7</sup> / <sub>8</sub> (7.3)	28 <sup>1</sup> / <sub>4</sub> (71.8)	19 <sup>3</sup> / <sub>8</sub> (49.2)	28 <sup>1</sup> / <sub>2</sub> (72.4)	29 <sup>7</sup> / <sub>8</sub> (75.9)	19 <sup>5</sup> / <sub>8</sub> (49.9)	20 <sup>1</sup> / <sub>2</sub> (52.1)	3 <sup>5</sup> / <sub>8</sub> (9.2)
36 <sup>3</sup> / <sub>4</sub> (93.4)	21 <sup>3</sup> / <sub>8</sub> (54.4)	2 <sup>7</sup> / <sub>8</sub> (7.3)	33 <sup>5</sup> / <sub>8</sub> (85.4)	18 <sup>7</sup> / <sub>8</sub> (47.9)	33 <sup>7</sup> / <sub>8</sub> (86.0)	36 <sup>1</sup> / <sub>8</sub> (91.8)	19 <sup>1</sup> / <sub>8</sub> (48.6)	20 <sup>1</sup> / <sub>2</sub> (52.1)	3 <sup>5</sup> / <sub>8</sub> (9.2)