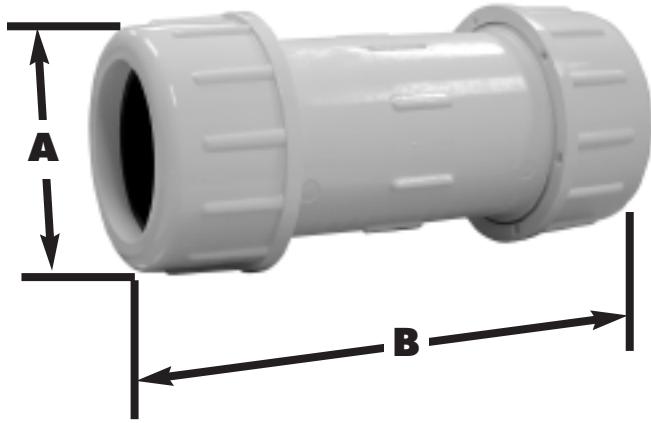


# SPECIFICATION SUBMITTAL SHEET

jones stephens corporation

## PVC COMPRESSION COUPLING



### features and benefits:

- For use on cold water lines only
- Ribbed body and nuts for gripping
- Fits IPS and Schedule 40 pipe
- EPDM gaskets
- 150 psi at 73°F
- Pipe ends must be restrained

This product and others like it can be found in the Jones Stephens catalog. Call today to order your catalog or download it from our website: [www.plumbest.com](http://www.plumbest.com)

PART NO.	IPS	BODY LENGTH	A	B
<input type="checkbox"/> C12-050	1/2"	3 3/4"	1 7/8"	4 7/8"
<input type="checkbox"/> C12-075	3/4"	3 15/16"	2"	5 5/8"
<input type="checkbox"/> C12-100	1"	4 3/4"	2 1/4"	5 3/4"
<input type="checkbox"/> C12-125	1 1/4"	5 3/16"	2 3/4"	6 1/4"
<input type="checkbox"/> C12-150	1 1/2"	5 3/8"	3 1/8"	6 3/8"
<input type="checkbox"/> C12-200	2"	6"	3 1/2"	7 5/8"
<input type="checkbox"/> C12-250	2 1/2"	7 7/8"	4"	9 1/2"
<input type="checkbox"/> C12-300	3"	8"	5 1/4"	10 1/2"
<input type="checkbox"/> C12-400	4"	12"	6"	12 1/8"
<input type="checkbox"/> C12-600	6"	11 1/8"	8 5/8"	10 3/4"

jones stephens corporation  
 3249 moody parkway • moody, alabama 35004  
 toll free phone: 1-800-355-6637 • toll free fax: 1-800-462-6991  
[www.plumbest.com](http://www.plumbest.com)