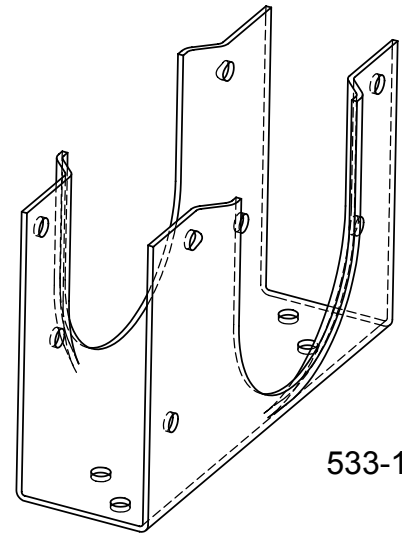
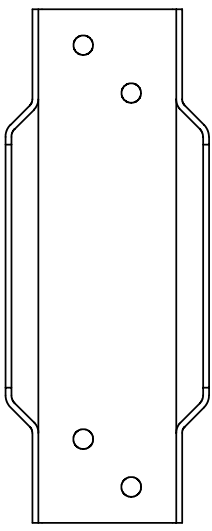


8 7 6 5 4 3 2 1

D

D



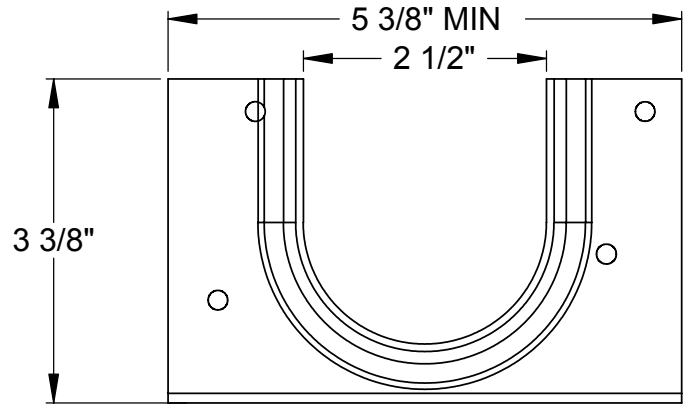
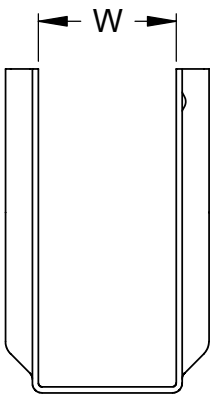
533-1 SHOWN

C

C

B

B



NOT A TOTAL REPLACEMENT FOR MATERIAL REMOVED

NOT FOR LOAD BEARING WALLS

Made in USA

B

B

A

A

FIG	W WIDTH	MAX LOAD	NAILS
533-1	1.50	500 LBS	12-10d X1.5
533-2	3.00	600 LBS	12-10d
533-3	4.50	600 LBS	14-10d

UNLESS OTHERWISE SPECIFIED DIMENSIONS ARE IN INCHES TOLERANCES ARE: FRACTIONS DECIMALS ANGLES + .XX+ .XX + 1 .XXX+.XXX		CAD GENERATED DRAWING, DO NOT MANUALLY UPDATE		
APPROVALS		DATE		
DRAWN EG	1/06	CHECKED SB	1/06	
MATERIAL	STEEL 16 GA.	P/N		FIG 533 STUD SHOE
FINISH	--	A		REV c
DO NOT SCALE DRAWING		SCALE	CAD FILE:	SHEET OF

8 7 6 5 4 3 2 1