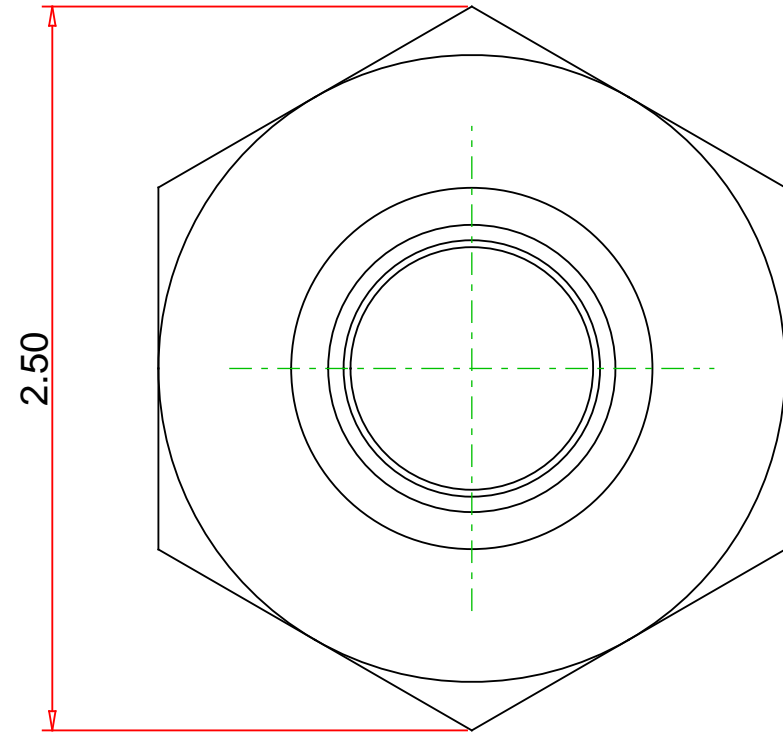
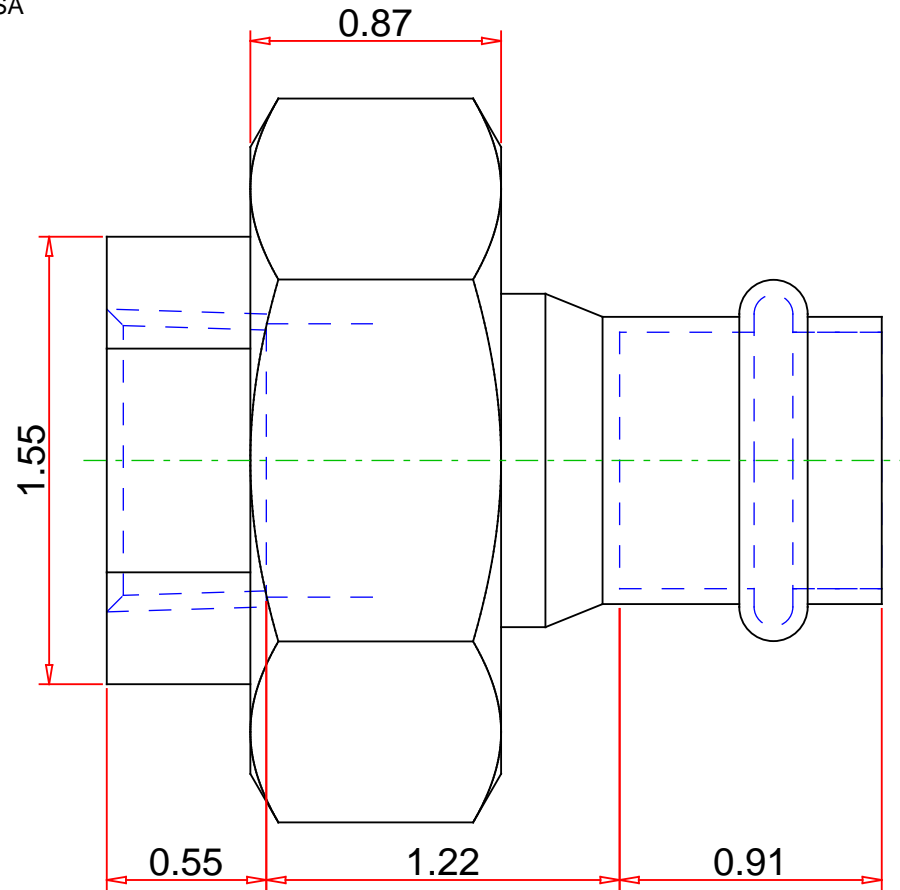


Approvals & Certifications

- ASME B16.51
- IAPMO PS-117
- NSF/ANSI 61
- NSF/ANSI 372
- CSA



Note : - Drawing not to Scale

DISCLAIMER: DIMENSIONS ARE APPROXIMATE AND ARE SUBJECT TO CHANGE WITHOUT NOTICE. ALL ASME DIMS ARE MINIMUM UNLESS NOTED. LAY LENGTH DIMS ARE  $\pm 0.06$  ALL OTHER DIMS ARE NOMINAL. ALL DIMS ARE IN INCHES.

© 6-AUG-2021 Mueller Industries, Inc.

Part No. :

PF 11504

Description :

Dielectric Union, P x FPT , 3/4" x 3/4"



Mueller Streamline Co.

Address: 150 Schilling Blvd, Suite 201

Collierville, TN 38017

Phone: 901-751-7709

Email: [marketing@muellerstreamline.com](mailto:marketing@muellerstreamline.com)

Web: <https://www.muellerstreamline.com>