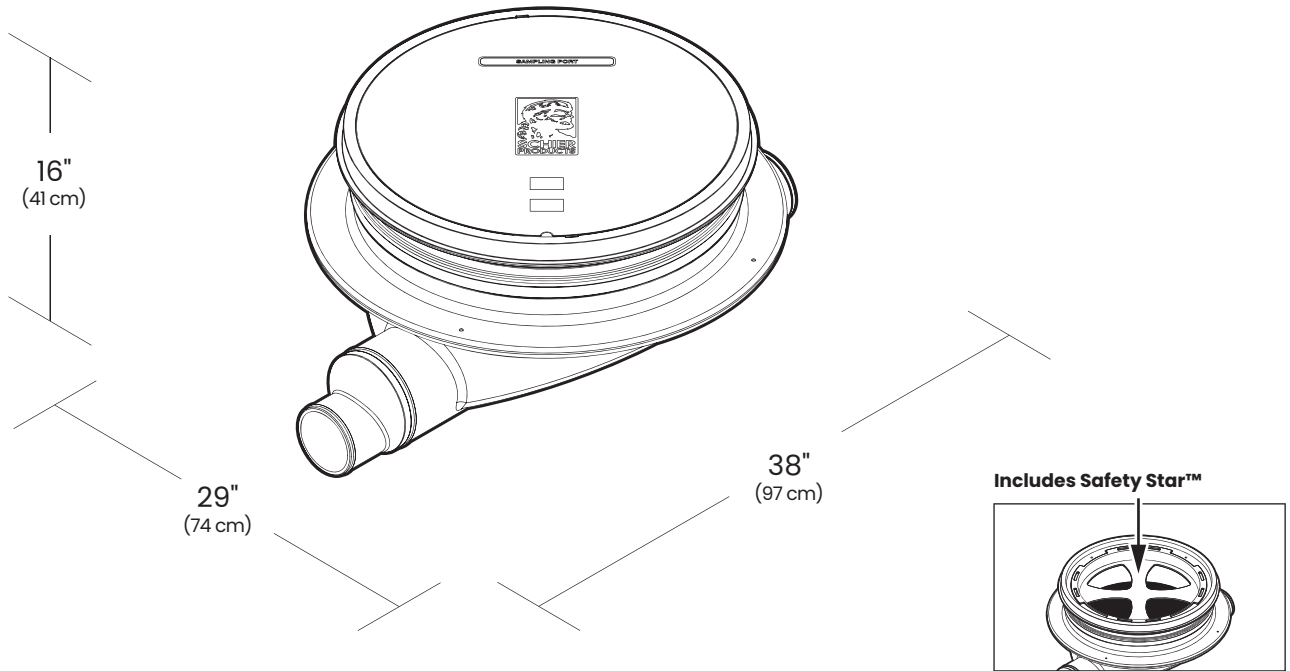


SPECIFICATION AND SUBMITTAL

SV24 Wastewater Sampling Port



SUBMITTAL

Standard

Location: Indoor/Outdoor

Installation: Above/Below grade

Weight: 110 lbs.

Connections: 4" (100 mm) and 6" (150 mm) Plain End

Cover: cast iron cover, pickable 24" gas/water tight, H-20 rated, proof-load tested to 40,000 lbs.

Access Restrictor: Safety Star™ (450 lb. rating) built into each cover adapter

Options

- C24H2:** composite cover, bolted 24" gas/water tight, traffic load rated for 16,000 lbs.
- FCR2** >4" – 34" Field Cut Riser
- FCR2** (x2) >34" – 64" Field Cut Risers
- FCR2** (x3) >64" – 94" Field Cut Risers

Approval

Signature:	Date:	Company:
Specifying Engineer:		Engineering Firm:



SCHIER

MODEL NUMBER:
SV24

DESCRIPTION: Polyethylene Wastewater Sampling Port

PART #: 8064-001-01

DWG BY: B. Karrer

DATE: 4/2/2020

REV:

ECO:



SPECIAL PRECAUTIONS

For Schier SV24 Sampling Port Installations – Failure to follow this guidance voids your warranty

⚠ WARNING! DO NOT AIR TEST UNIT OR RISER SYSTEM!
Doing so may result in property damage, personal injury or death.

⚠ CAUTION! Do not install this unit in any manner except as described in these instructions.

Read all instructions before installation

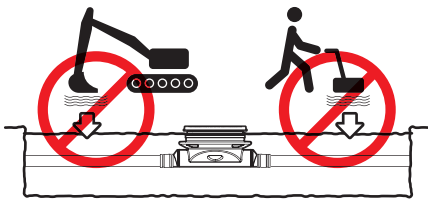
Install in conformance with all local codes

Installation Instructions

Installation instructions and additional components are included with the sampling port. Read all instructions prior to installation. This sampling port is intended to be installed by a licensed plumber in conformance with all local codes.

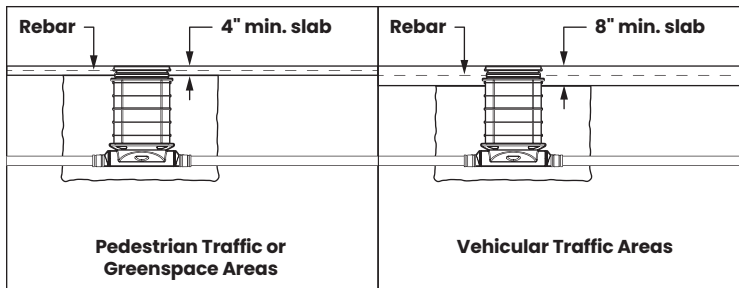


DO NOT COMPACT BACKFILL



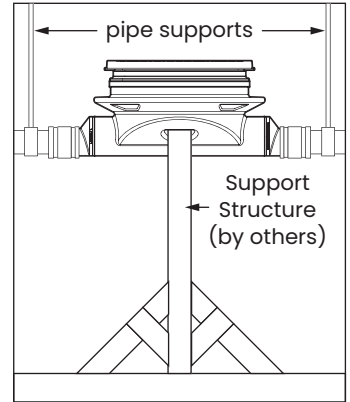
Below Grade Installation Slab Requirements

A concrete slab to finished grade with rebar is required when installing interceptor below grade.



Above Grade Installation Additional Support

To prevent connection failure or damage to fittings, ensure heavy inlet and outlet piping (such as cast iron or long runs) is properly supported or suspended during entire installation process. To prevent unit tipping, above grade installations must be supported by a platform or trapeze (not included) that contacts the unit at the built-in Support Detents. Composite cover C24H2 is recommended for use in above grade installations.



DO NOT USE CAST IRON COVERS IN ABOVE GRADE OR INDOOR INSTALLATIONS



SCHIER

MODEL NUMBER:
SV24

DESCRIPTION: Polyethylene Wastewater Sampling Port

PART #: 8064-001-01

DWG BY: B. Karrer

DATE: 4/2/2020

REV:

ECO:

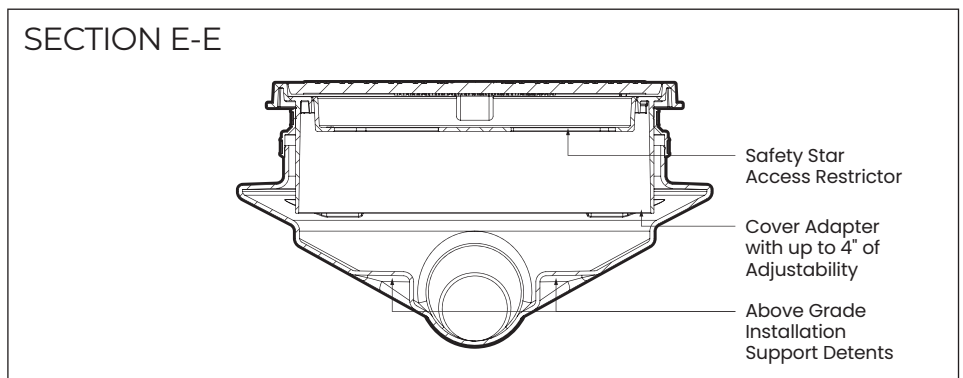
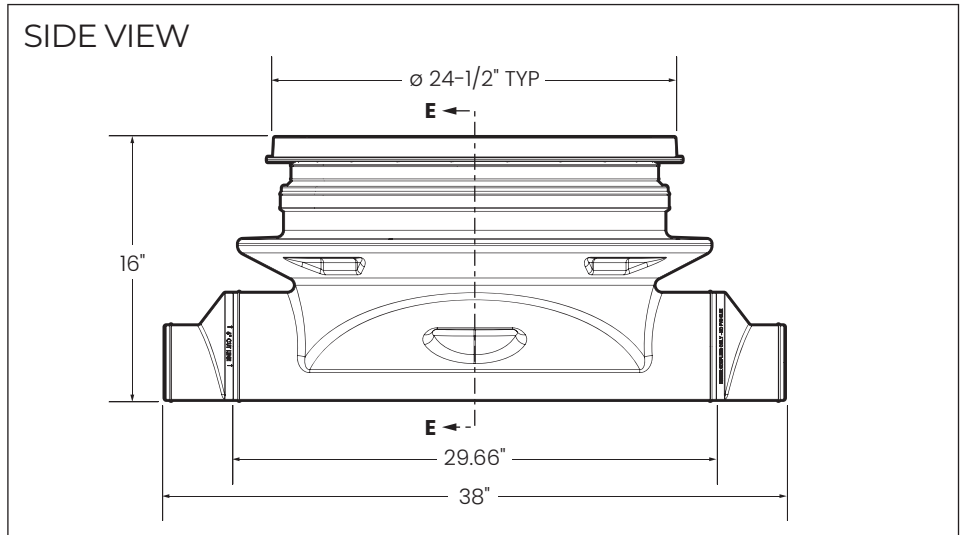
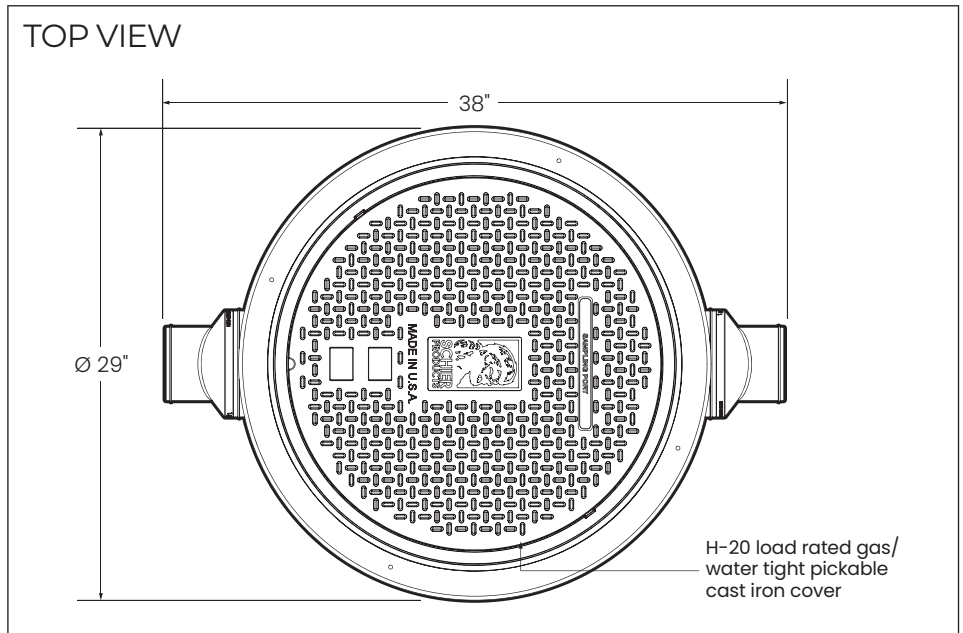
SPECIFICATIONS

NOTES

1. 4" plain end inlet/outlet (field modifiable to 6" plain end)
2. Unit weight - w/cast iron cover: 110 lbs.; w/composite cover: 58 lbs.
3. Maximum operating temperature: 150° F continuous
4. Level connections
5. Safety Star™, access restrictor built into each cover adapter, prevents accidental entry to tanks (450 lb rating)

ENGINEER SPECIFICATION GUIDE

Schier Sewer Viewer™ sampling port model # SV24 shall be lifetime guaranteed and made in USA of seamless, rotationally-molded polyethylene. Sampling port shall be furnished for above or below grade installation with field adjustable riser system and Safety Star™ access restrictor built into cover adapter. Cover shall provide water/gas-tight seal and have minimum 16,000 lbs. load capacity.



SCHIER

MODEL NUMBER:
SV24

DESCRIPTION: Polyethylene Wastewater Sampling Port

PART #: 8064-001-01

DWG BY: B. Karrer

DATE: 4/2/2020

REV:

ECO: