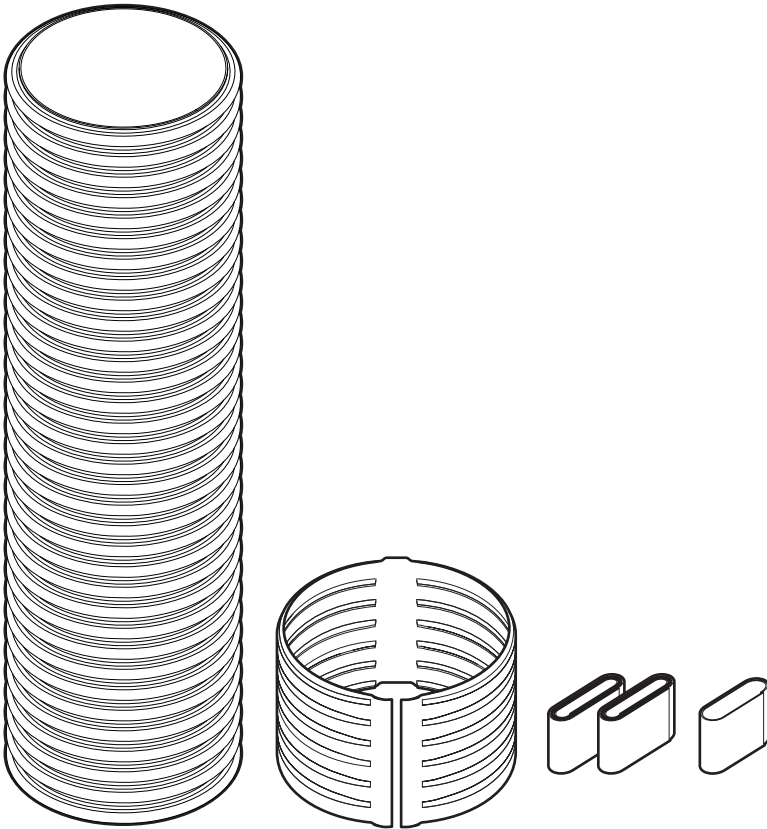


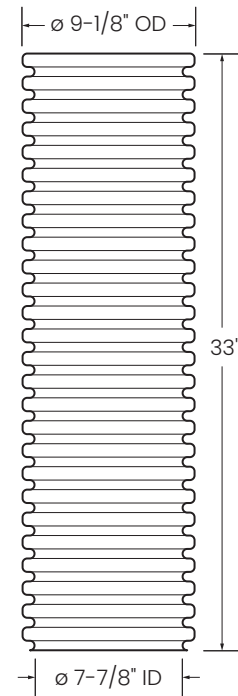
SPECIFICATION AND INSTALLATION GUIDE

FCR10 Field Cut Riser System

For Use with Sampling Port Model SV10



RISER SIDE VIEW



Contents

Specifications	1
Special Precautions	2
Getting to Know the FCR10	2
Installation	4-8

Notes

1. Unit weight: 6 lbs.
2. Riser not designed to hold water

Engineer Specification Guide:

Field-cut adjustable riser system to consist of 8" nominal diameter polyethylene corrugated drainage pipe and coupling, and butyl mastic tape for riser joints. Riser shall allow field adjustability of cover to grade.

Installation Note

Riser system may be stacked no more than three units high to a maximum of 97" extension.

Riser Height Needed	Risers Required
0" - 31"	FCR10
>31" - 64"	FCR10 (x2)
>64" - 97"	FCR10 (x3)



MODEL NUMBER:
FCR10

DESCRIPTION: SV10 Sampling Port Field Cut Riser System

PART #: 8010-020-01

DWG BY: B. Karrer

DATE: 3/1/2020

REV:

ECO:



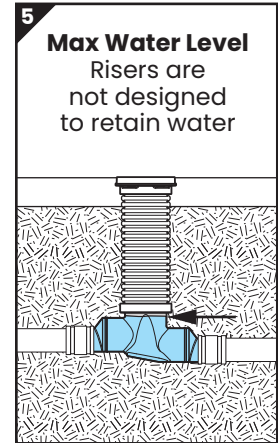
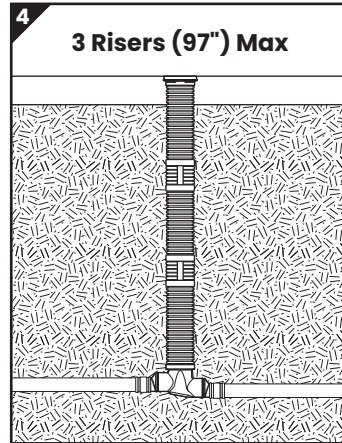
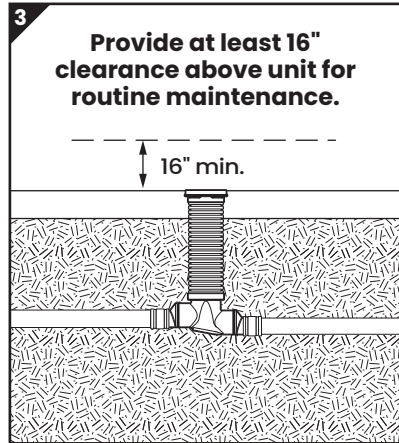
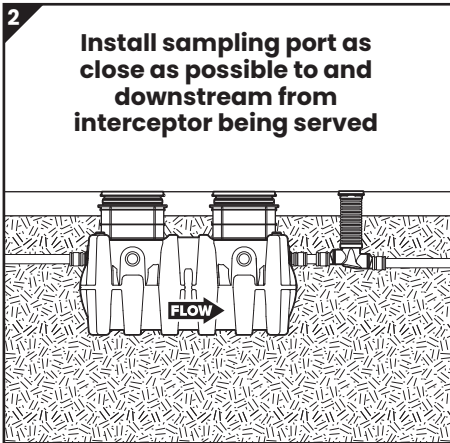
SPECIAL PRECAUTIONS

For Schier Grease Interceptor Installations - Failure to follow this guidance voids your warranty

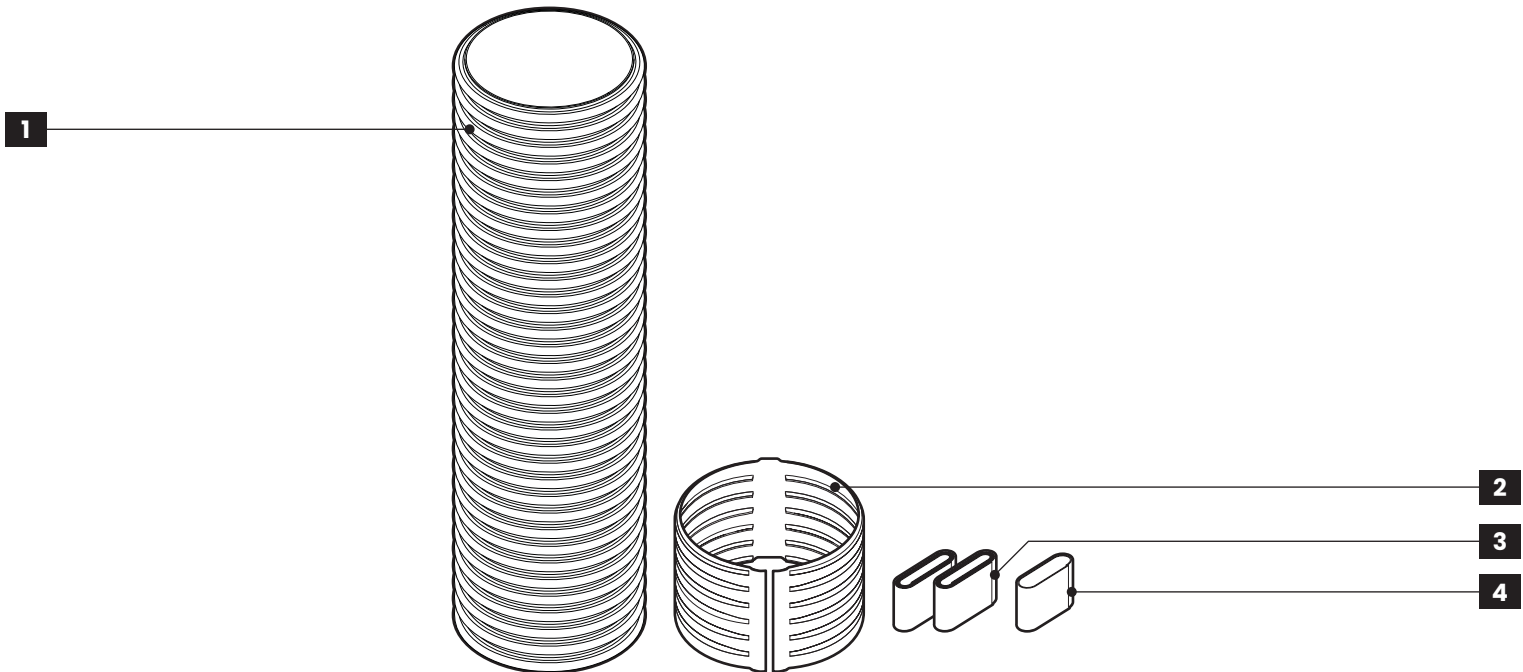
WARNING! DO NOT AIR TEST UNIT OR RISER SYSTEM!
Doing so may result in property damage, personal injury or death.

CAUTION! Do not install this unit in any manner except as described in these instructions.

- 1 Read all instructions before installation Install in conformance with all local codes



GETTING TO KNOW THE FCR10



- 1. Corrugated Riser Pipe (8" nominal diameter - 33" height)
- 2. Riser-Riser Coupling
- 3. 2" x 33" Butyl Mastic Tape (x2)
- 4. 2" x 6" Butyl Mastic Tape

INSTALLATION

Tools You Will Need



Tape Measure



Reciprocating Saw,
Circular Saw or Jigsaw



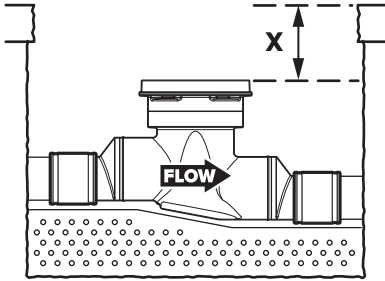
Level



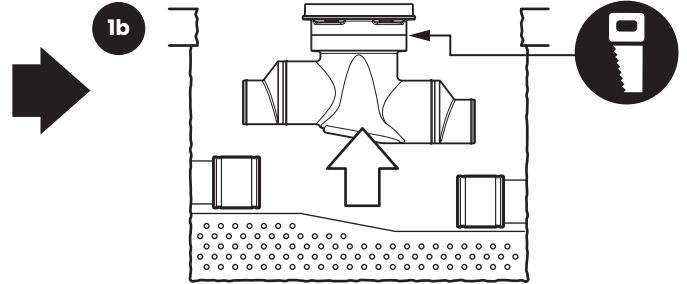
Square

1 Prepare SV10 Sampling Port for Riser Installation

1a Measure dimension X to determine riser height needed.



Riser Height Needed	Risers Required
>0" - 31"	FCR10
>31" - 64"	FCR10 (x2)
>64" - 97"	FCR10 (x3)



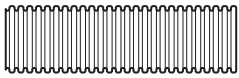
Disconnect the SV10 and remove it from the burial pit. Cut the SV10 at the Riser Cut Line, freeing the cover adapter from the sampling port body.

2 Assemble Multiple Risers for Deep Burials

RISER HEIGHT NEEDED

>0 - 31"

Go to Step 3 - Cut and Install Riser



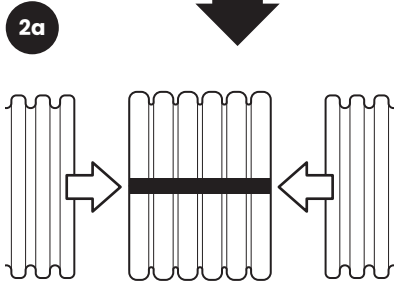
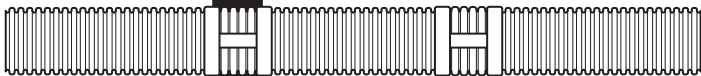
>31 - 64"

Follow Steps 2a -2c to join **two** FCR10 risers

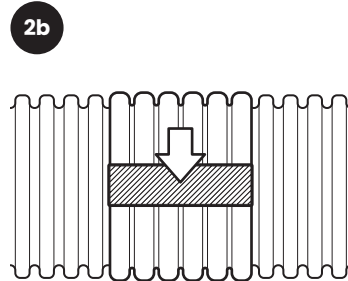


>64 - 97"

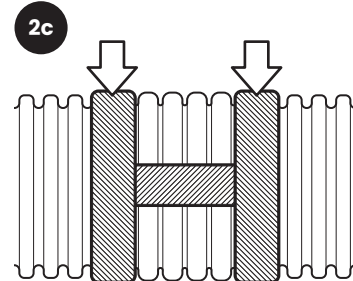
Follow Steps 2a -2c to join **three** FCR10 risers



Spread open the corrugated pipe coupling slightly and slip in the ends of the riser pipes to be joined.



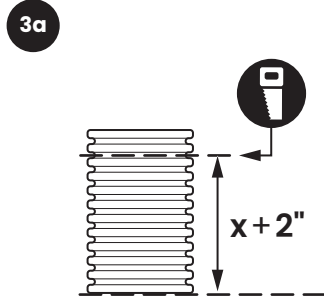
Use the 6" long roll of butyl tape provided to seal and secure the vertical coupling seam.



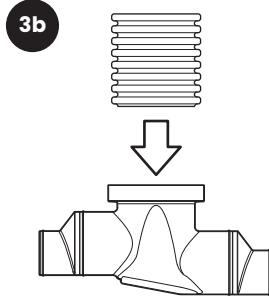
Use the 2 - 33" long rolls of butyl tape provided to seal and secure the horizontal riser seams.

INSTALLATION

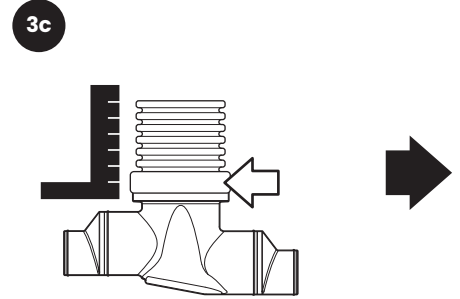
3 Cut and Install Riser



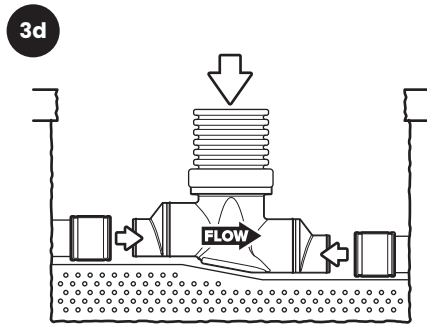
Cut riser to a length **2" longer** than the riser height needed.



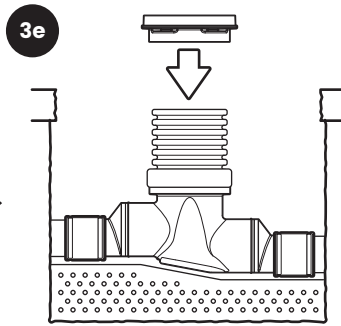
Insert Riser into SV10 Body.



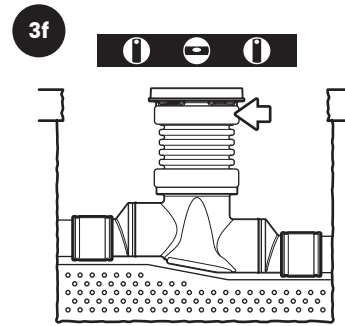
Use a 33" length of butyl tape (provided with SV10) to secure the riser joint. Make sure joint is completely sealed and riser is aligned square to the SV10 Body.



Return the SV10 to the burial pit and reconnect the drain lines



Place the cover/cover adapter onto the top of the riser and check to see if flush with grade. If too high, remove cover and trim riser as needed.



Secure cover/cover adapter using the other 33" length of butyl tape (provided with SV10). Make sure joint is completely sealed and cover is level and flush-to-grade.