

# Specifications

## Hammond Series

### Acrylic Shower Floor



#### Product Features

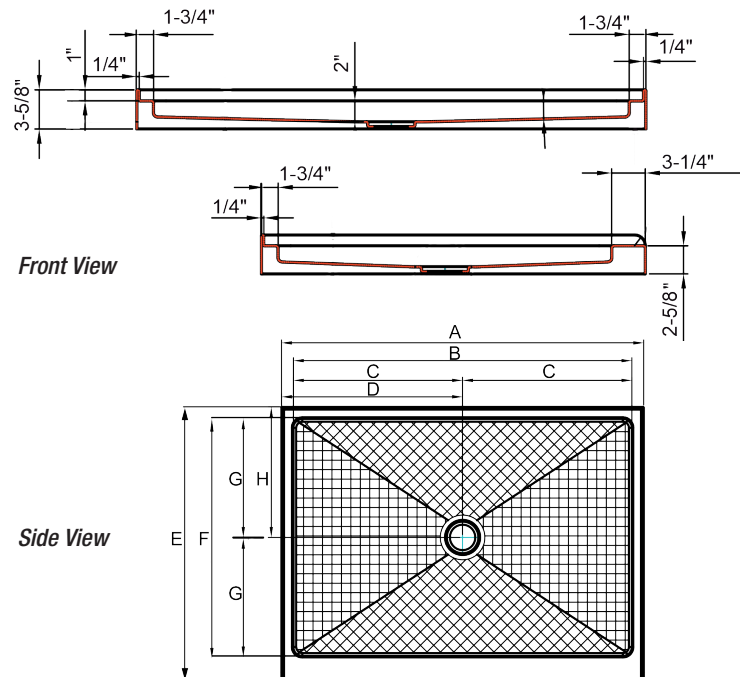
- Acrylic construction
- One-piece construction
- Integral tile flange
- Slip-resistant surface

#### Product Offering

Part Number	Size	Drain Location
PFSBA3634WH	36" x 34"	Center
PFSBA3636WH	36" x 36"	Center
PFSBA4234WH	42" x 34"	Center
PFSBA4242WH	42" x 42"	Center
PFSBA4242NEOWH	42" x 42"	Center
PFSBA4832WH	48" x 32"	Center
PFSBA4834WH	48" x 34"	Center
PFSBA4836WH	48" x 36"	Center
PFSBA4842WH	48" x 42"	Center
PFSBA4848WH	48" x 48"	Center
PFSBA6030CWH	60" x 30"	Center
PFSBA6030LWH	60" x 30"	Left
PFSBA6030RWH	60" x 30"	Right
PFSBA6032CWH	60" x 32"	Center
PFSBA6032LWH	60" x 32"	Left
PFSBA6032RWH	60" x 32"	Right
PFSBA6034WH	60" x 34"	Center
PFSBA6036WH	60" x 36"	Center
PFSBA6042WH	60" x 42"	Center



**PFSBA4832WH**



#### Center Drain Base Dimensions

Part #	Size	A	B	C	D	E	F	G	H
PFSBA3634WH	36" x 34"	35-7/8"	32-3/8"	16-3/16"	17-15/16"	33-7/8"	28-7/8"	14-7/16"	16-3/16"
PFSBA3636WH	36" x 36"	35-7/8"	32-3/8"	16-3/16"	17-15/16"	35-7/8"	30-7/8"	15-7/16"	17-3/16"
PFSBA4234WH	42" x 34"	41-7/8"	38-7/16"	19-1/4"	20-15/16"	33-7/8"	28-7/8"	14-7/16"	16-3/16"
PFSBA4242WH	42" x 42"	41-7/8"	38-7/16"	19-1/4"	20-15/16"	41-7/8"	36-7/8"	18-5/16"	20-3/16"
PFSBA4832WH	48" x 32"	47-7/8"	44-7/16"	22-3/16"	23-15/16"	31-7/8"	26-7/8"	13-7/16"	15-3/16"
PFSBA4834WH	48" x 34"	47-3/4"	44-1/4"	22-1/8"	23-7/8"	33-3/4"	28-3/4"	14-3/4"	16-1/8"
PFSBA4836WH	48" x 36"	47-3/4"	44-1/4"	22-1/8"	23-7/8"	35-7/8"	30-7/8"	15-7/16"	17-3/16"
PFSBA4842WH	48" x 42"	47-3/4"	44-1/4"	22-3/16"	22-15/16"	41-7/8"	36-7/8"	18-5/16"	20-3/16"
PFSBA4848WH	48" x 48"	47-3/4"	44-1/4"	22-3/16"	22-15/16"	47-7/8"	42-7/8"	21-5/16"	23-3/16"
PFSBA6030CWH	60" x 30"	59-7/8"	56-3/8"	28-3/16"	29-15/16"	29-7/8"	24-7/8"	12-7/16"	14-3/16"
PFSBA6032CWH	60" x 32"	59-7/8"	56-3/8"	28-3/16"	29-15/16"	31-7/8"	26-7/8"	13-7/16"	15-3/16"
PFSBA6034WH	60" x 34"	59-7/8"	56-3/8"	28-3/16"	29-15/16"	33-7/8"	28-7/8"	14-7/16"	16-3/16"
PFSBA6036WH	60" x 36"	59-7/8"	56-3/8"	28-3/16"	29-15/16"	35-7/8"	30-7/8"	15-7/16"	17-3/16"
PFSBA6042WH	60" x 42"	59-7/8"	56-3/8"	28-3/16"	29-15/16"	41-7/8"	36-7/8"	18-5/16"	20-3/16"

# Specifications

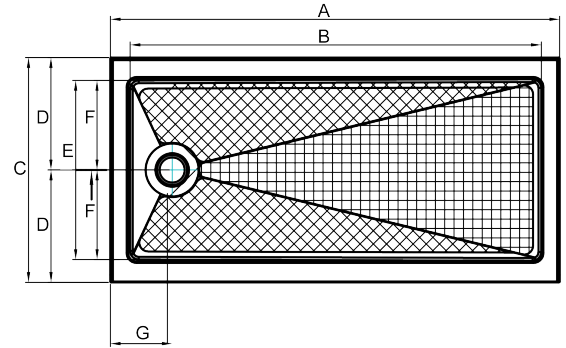
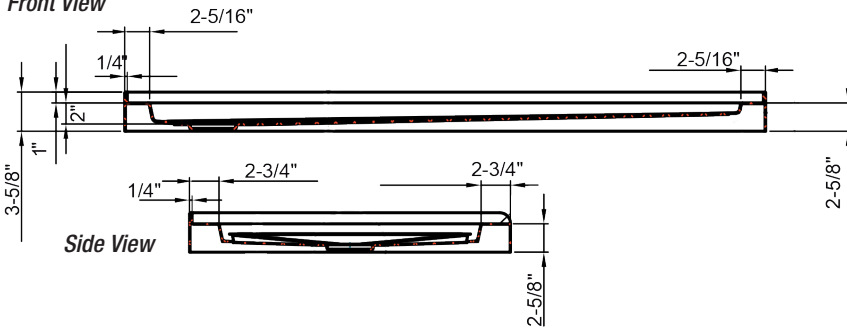
## Hammond Series

### Acrylic Shower Floor



#### Left/Right\* Drain Base Dimensions

Front View



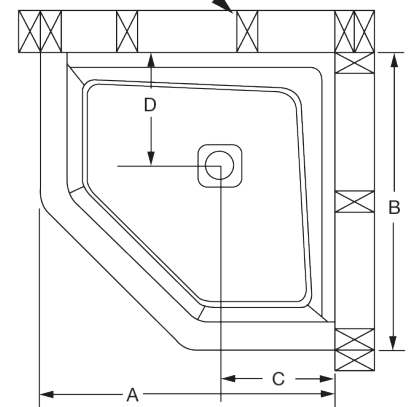
\* Left-hand model shown. Right-hand model is exact opposite.

Part #	Drain Location	Size	A	B	C	D	E	F	G
PFSBA6030LWH	Left	60" x 30"	59-7/8"	55-1/4"	30"	15"	24-1/2"	12-1/4"	8-1/4"
PFSBA6030RWH	Right	60" x 30"	59-7/8"	55-1/4"	30"	15"	24-1/2"	12-1/4"	8-1/4"
PFSBA6032LWH	Left	60" x 32"	59-7/8"	55-1/4"	31-7/8"	15-15/16"	26-3/8"	13-3/16"	8-1/4"
PFSBA6032RWH	Right	60" x 32"	59-7/8"	55-1/4"	31-7/8"	15-15/16"	26-3/8"	13-3/16"	8-1/4"

#### Neo-Angle Base Dimensions

Part #	Drain Location	Size	A	B	C	D
PFSBA4242NEOWH	Center	42" x 42"	42"	42"	12"	12"

Space studs on fitting wall to provide room to install control valves and water supply pipes.



#### Warranty and Codes

These products come complete with installation, operating, care and maintenance instructions. All PROFLO shower floors carry a 1-year limited warranty. These products meet or exceed ANSI Z124.2-95. In an effort to continually improve our products, Ferguson will make design changes from time to time. We reserve the right to ship newly designed product to fill any order unless we agree in writing to do otherwise.

**Note:** All dimensions and specifications are nominal and may vary  $\pm 1/4"$ . Use actual products for accuracy in critical situations.

