

SOLANDRA

DECORATIVE VANITY MIRROR

SKU: 949507



FEATURES

Horizontal / Vertical Mounting is 2-1/2" centers with three holes.

Durable French cleat mounting system included.

SIGNATURE HARDWARE

One-Year, Five-Year and Lifetime Product Warranties

See website for detailed warranty information.

CONTENTS

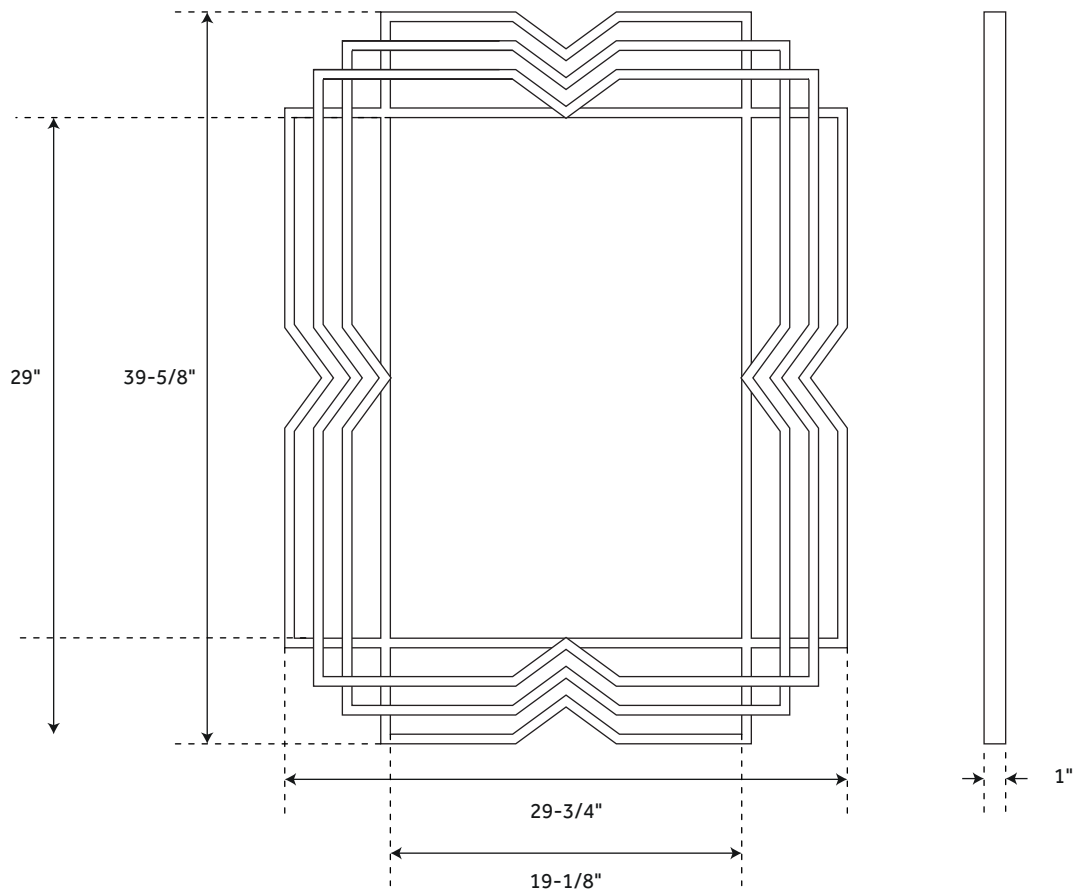
MIRROR DETAILS PAGE 2

REVISED 04/02/2020

SOLANDRA

DECORATIVE VANITY MIRROR

SKU: 949507



FEATURES

Features: Framed
Material: Stainless Steel
Design: Contemporary
Mirror Shape: Rectangle
Width: 29-3/4"
Height: 39-5/8"
Depth: 1"
Mounting Hardware Included: Yes
Assembly Required: No
Mirror Only Width: 19-1/8"
Mirror Only Height: 29"

SIGNATURE HARDWARE

See website for warranty information



All dimensions and specifications are nominal and may vary. Use actual products for accuracy in critical situations.

PAGE 2
CODE: 25046 BLPC/25046 LBA/25046 NL