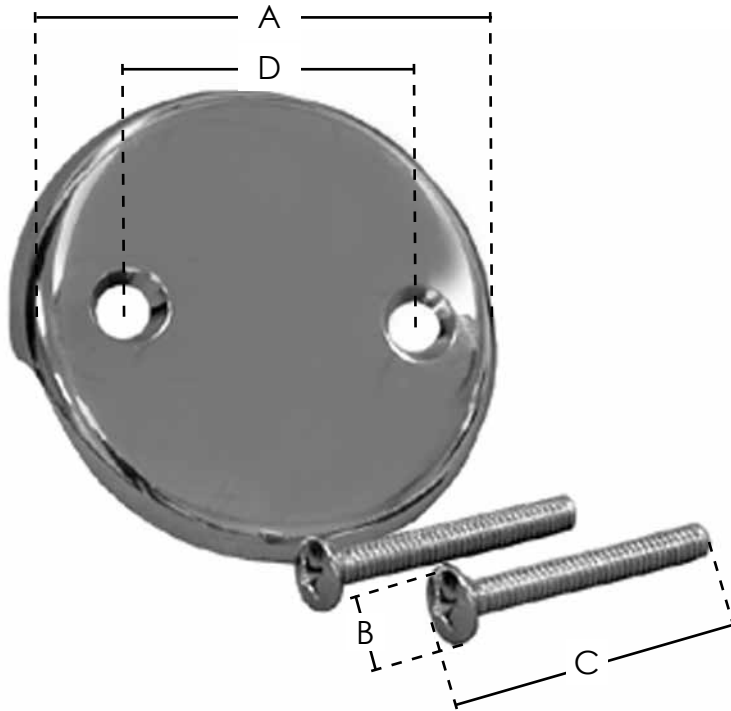


SPECIFICATION SUBMITTAL SHEET

JONES STEPHENS CORPORATION

WASTE AND OVERFLOW FACEPLATE W/SCREWS



features & benefits

- Includes screws

This product and others like it can be found in the Jones Stephens catalog. Call today to order your catalog or download it from our website:
www.jonesstephens.com

PART NO.	# HOLES	FINISH	A	B	C	D
□ T05013	2	Chrome Plated	3 1/8"	3/8"	2 7/8"	2" center to center

Jones Stephens

3249 Moody Parkway • Moody, Alabama 35004

Toll Free Phone: 1-800-355-6637 • Toll Free Fax: 1-800-462-6991

www.jonesstephens.com