

600CB

Cast Aluminum Case

COMMERCIAL • CONTRACTOR GAUGES



600CB shown



- ▶ 3 1/2" & 4 1/2" Dial Sizes
- ▶ ±1.0% Accuracy
- ▶ Cast Aluminum Case
- ▶ Adjustable Pointer

The **600CB** Trerice Contractor Gauge is among the most frequently specified HVACR gauges within the construction industry. This gauge offers high reliability at a moderate price. The 600CB is furnished with a cast aluminum case and an adjustable pointer. Wetted parts are Lead-Free (PBF) brass.

- Optional features and case style variations available: Please consult the Options & Accessories Section for details.
- For correct use and application of all pressure gauges, please refer to: Pressure Gauge Standard ASME B40.100.

Specifications

Model

600CB

Dial Sizes 3 1/2", 4 1/2"

Wetted Parts

Bronze tube, brass socket
Lead-Free (PBF)
Meets NSF/ANSI Standards
372 and 61

Movement Brass

Connection Lower male, 1/4 NPT

Case Cast aluminum, black finished, stem-mounted flangeless

Ring Friction type, 304 Stainless steel

Window Clear glass

Pointer Adjustable, black finished

Dial Face Aluminum, white background with black graduations and markings

Accuracy ±1.0% Full Scale,
ASME B40.100 Grade 1A

Maximum Temperature
212°F (100°C)

Approximate Shipping Weight

3 1/2" Dial Size:
0.7 lbs [0.32 kg]

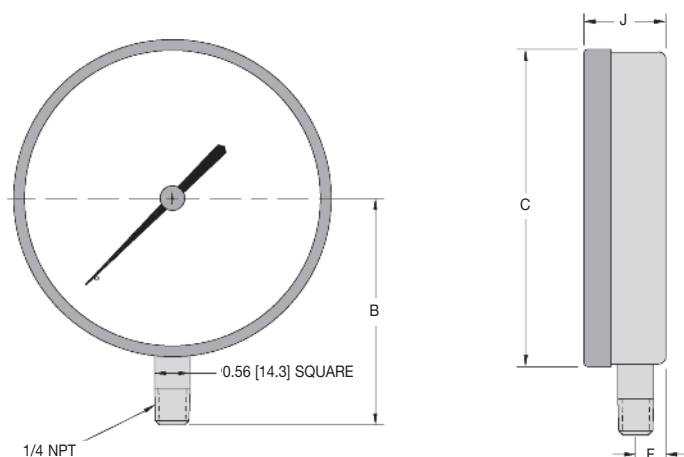
4 1/2" Dial Size:
1.1 lbs [0.50 kg]

HOW TO ORDER

Sample Order Number: **600CB 35 02 L A 090**

Model	Dial Size	Connection Size	Connection Location	Units of Measure	Range Code
600CB	35 3 1/2" 45 4 1/2"	02 1/4 NPT	L Lower	A psi B kPa C kg/cm ² D psi/kPa E psi & kg/cm ²	See Standard Ranges

All dimensions are nominal. Dimensions in [] are in millimeters.



Dial Size	B	C	F	J
3 1/2"	3.06 [77.8]	3.88 [98.6]	0.44 [11.2]	1.22 [31]
4 1/2"	3.54 [89.9]	4.96 [126]	0.47 [11.9]	1.28 [32.5]

Standard Ranges

psi Ranges (A)				kPa Ranges (B)				kg/cm ² Ranges (C)			
Range Code	Specific Range (psi)	Figure Intervals	Minor Divisions	Range Code	Specific Range	Figure Intervals	Minor Divisions	Range Code	Specific Range	Figure Intervals	Minor Divisions
010	30" Hg to 0	5	0.5	010	-100 to 0 kPa	10	2	010	76 cm Hg to 0	10	1
020	30" Hg to 15 psi	10/5	1/0.5	020	-100 to 100 kPa	20/20	2/2	020	76 cm Hg to 1 kg/cm ²	20/0.2	1/0.2
030	30" Hg to 30 psi	10/5	1/1	030	-100 to 200 kPa	50/50	5/5	030	76 cm Hg to 2 kg/cm ²	20/0.5	2/0.2
040	30" Hg to 60 psi	10/10	2/1	040	-100 to 400 kPa	100/100	10/10	040	76 cm Hg to 4 kg/cm ²	25/0.5	5/0.5
050	30" Hg to 100 psi	30/20	2/2	050	-100 to 700 kPa	100/100	10/10	050	76 cm Hg to 7 kg/cm ²	76/1	5/0.1
060	30" Hg to 150 psi	30/30	5/2	060	-100 to 1000 kPa	100/100	10/10	060	76 cm Hg to 10 kg/cm ²	76/1	15/0.1
070	30" Hg to 300 psi	30/50	5/5	070	-100 to 2000 kPa	100/200	20/20	070	76 cm Hg to 21 kg/cm ²	76/3	19/0.2
080	0 to 15 psi	3	0.2	080	0 to 100 kPa	10	1	080	0 to 1 kg/cm ²	0.1	0.02
090	0 to 30 psi	5	0.5	090	0 to 200 kPa	20	2	090	0 to 2 kg/cm ²	0.2	0.02
100	0 to 60 psi	10	1	100	0 to 400 kPa	50	5	100	0 to 4.2 kg/cm ²	0.5	0.05
110	0 to 100 psi	10	1	110	0 to 700 kPa	100	10	110	0 to 7 kg/cm ²	1	0.1
120	0 to 160 psi	20	2	120	0 to 1100 kPa	100	10	120	0 to 11 kg/cm ²	1	0.1
130	0 to 200 psi	20	2	130	0 to 1400 kPa	200	20	130	0 to 14 kg/cm ²	2	0.2
140	0 to 300 psi	50	5	140	0 to 2000 kPa	200	20	140	0 to 21 kg/cm ²	3	0.2
150	0 to 400 psi	50	5	150	0 to 2800 kPa	400	20	150	0 to 28 kg/cm ²	4	0.2
160	0 to 600 psi	100	10	160	0 to 4000 kPa	500	50	160	0 to 42 kg/cm ²	6	0.5
180	0 to 1000 psi	100	20	180	0 to 7000 kPa	1000	100	180	0 to 70 kg/cm ²	10	1

For dual scale ranges, specify the appropriate **Units of Measure: D (psi/kPa) or E (psi & kg/cm²)** followed by the equivalent **A (psi) Range Code**. Other pressure ranges are also available including: Altitude, Ammonia, Refrigerant and Receiver. Consult Special Application Ranges section or factory for availability.