

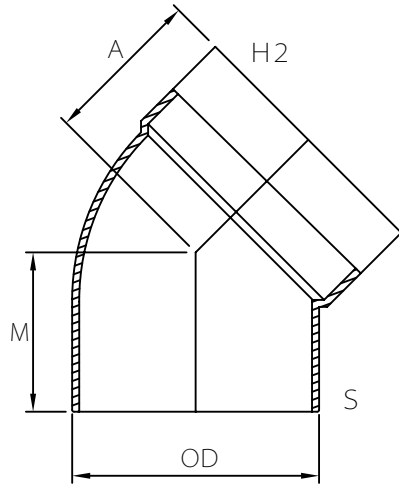


MULTI FITTINGS

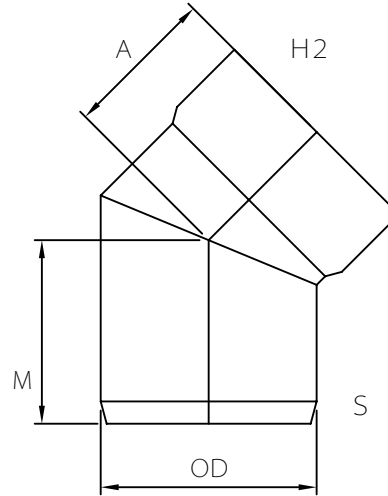
LAYING LENGTH

ISSUE DATE: NOV 15/17
SUPERCEDES: MAY 10/05

45 ° ELBOW (SxH) (1/8 BEND)



INJECTION MOLDED FITTING (M)



FABRICATED FITTING (F)

	SIZE SxH2	PART NUMBER	A REF	M REF	OD
M	3x3	040402	2.250	2.250	3.250
M	4x4	040404	2.750	3.500	4.215
M	6x6	040406	4.500	4.500	6.275
M	8x8	040408	6.000	6.000	8.400
F	10x10	040412	-	-	10.500
F	12x12	040413	13.500	13.500	12.500
F	15x15	040414	-	-	15.300
P	18x18	040405	-	-	18.701