

# PENDLETON FREESTANDING TUB FAUCET WITH HAND SHOWER

SKU: 948659

Code: SHPTFS2000G, SHFSR2000



## FEATURES

Material: Metal construction for strength and durability

Installation Type: Freestanding

Flow Rate: 10.6 gpm (39.8 L/min) @ 80 psi

Hand Shower Flow Rate: 1.8 gpm (6.8 L/min) @ 80 psi

Spray Type: Full, Massage, Massage + Full

Cartridge Type: Ceramic Disc

Swivel Spout: No

Required for Installation: Rough-in valve: SHFSR2000 or SHFSR2000WS

ASME A112.18.1/CSA B125.1, ICC/ANSI A117.1, CEC Listed, WaterSense by IAPMO, Massachusetts Accepted, LISTED ID: SHFSR2000, SHPTFS2000G\*, SHFSR2000WS



## ADDITIONAL FEATURES

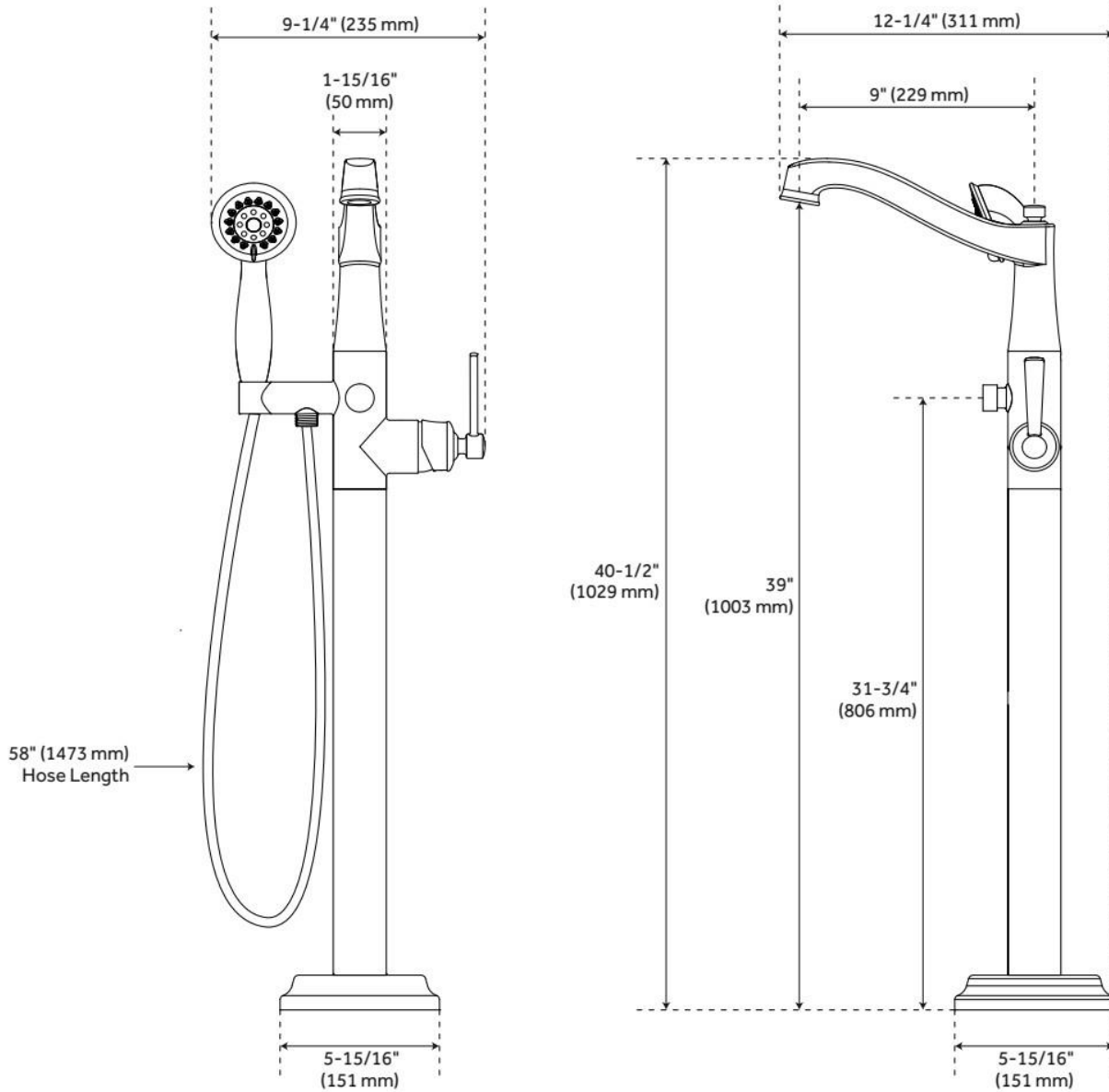
- Hand shower features three spray functions - full, massage, massage + full.
- Hand shower flow rate: 1.8 gpm.
- Underfloor access is required for proper installation. Installation on an existing concrete slab will require cutting and concrete removal.

REVISED 6/24/2024

# PENDLETON FREESTANDING TUB FAUCET WITH HAND SHOWER

SKU: 948659

Code: SHPTFS2000G, SHFSR2000



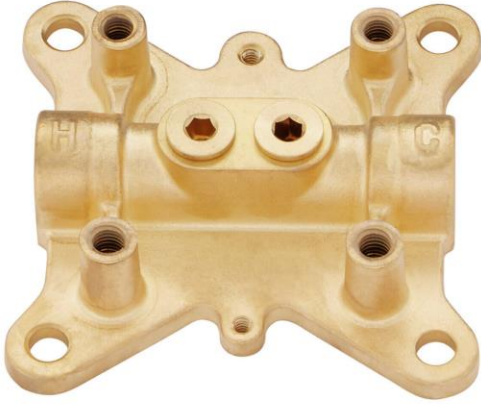
REVISED 6/24/2024

# FREESTANDING TUB FAUCET ROUGH-IN VALVE

SKU: 446521  
Code: SHFSR2000

## FEATURES

Material: Metal construction for strength and durability



ASME A112.18.1/CSA B125.1, Massachusetts Accepted, LISTED ID: SHFSR2000



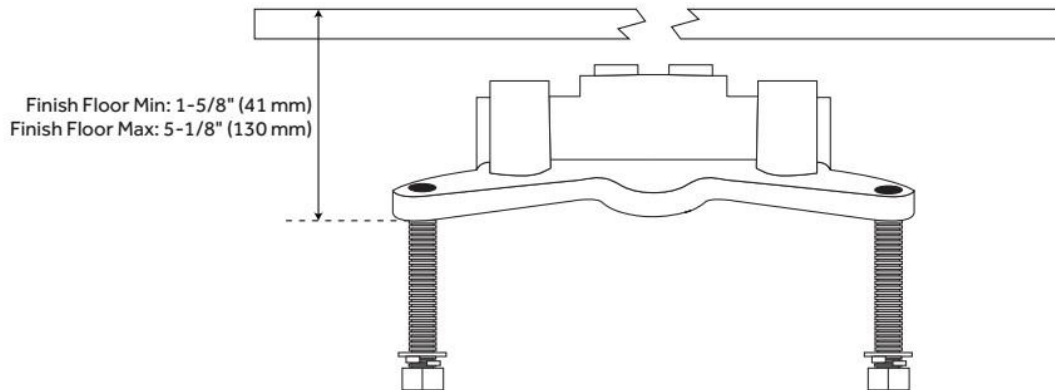
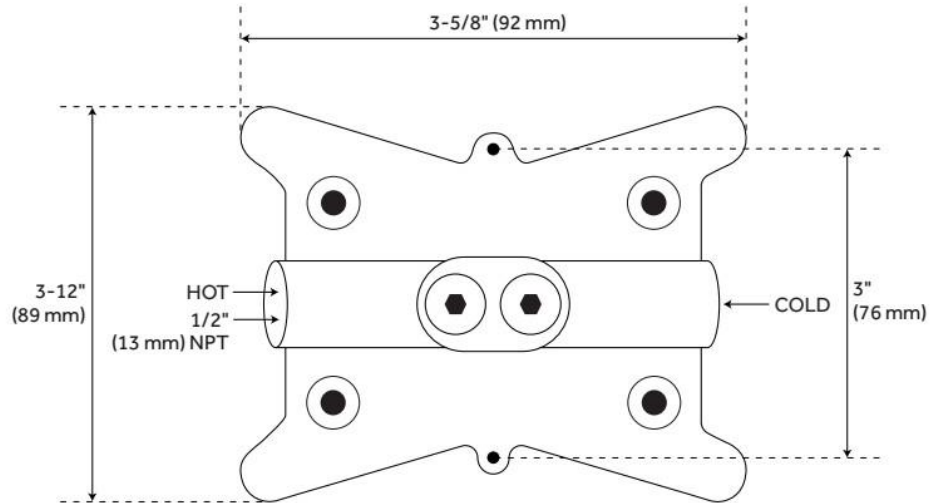
## ADDITIONAL FEATURES

- Not compatible with Ryle, Napier, Keswick, Copper and Cybelle Freestanding Tub Faucets.

REVISED 6/24/2024

# FREESTANDING TUB FAUCET ROUGH-IN VALVE

SKU: 446521  
Code: SHFSR2000



REVISED 6/24/2024