

BEASLEY

THERMOSTATIC SHOWER VALVE WITH VOLUME CONTROL

SKU: 948779



FEATURES

- Material: Brass
- Handle Type: Lever
- Features: Thermostatic
- Assembly Required: No
- Installation Type: Wall Mount
- Metal Handle
- Mounting Hardware Included: Yes
- Temperature Outlet Factory Preset to 104 Degrees Fahrenheit
- Scald Guard Protection
- High Temperature Limit Stop
- Thermostatic Technology Keeps Shower Temperature Within 1 Degree Celsius
- Factory-Calibrated Comfort Setting at 104 Degrees Fahrenheit
- Optional Rough-In Valve

CONTENTS

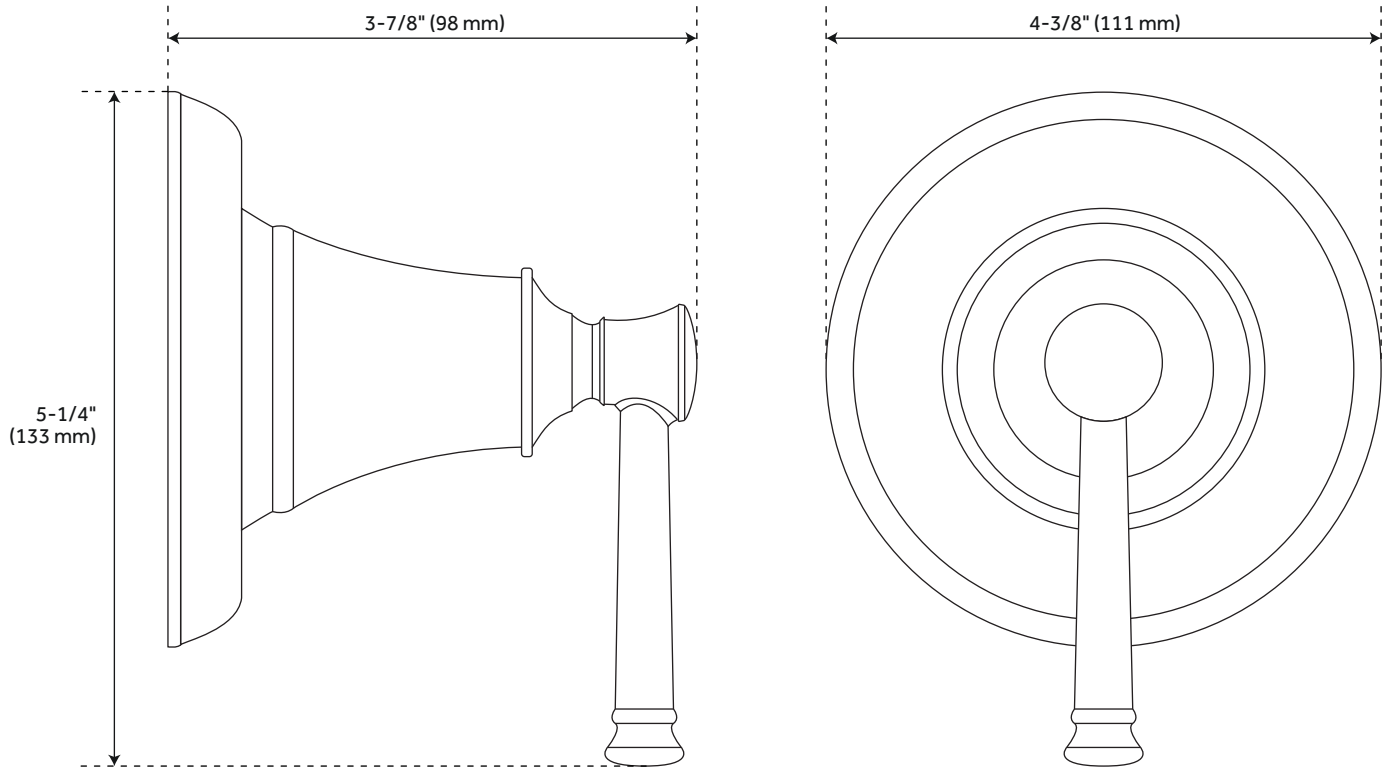
VOLUME CONTROL	PAGE 2
VOLUME CONTROL VALVE	PAGE 3
THERMOSTATIC TRIM	PAGE 4
THERMOSTATIC VALVE	PAGE 5

REVISED 10/05/2020

BEASLEY

SHOWER VOLUME CONTROL

SKU: 948779



FEATURES

Width: 4-3/8"
Height: 5-1/4"
Depth: 3-7/8"
Valve Trim Diameter: 4-3/8"
Wall Thickness Range: 1" to 1-3/4"

CODES/STANDARDS

cUPC
ASME A112.18.1/CSA B125.1
ICC/ANSI A117.1 (when installed
according to ADA standards)
Massachusetts Accepted

PRODUCT IMAGE



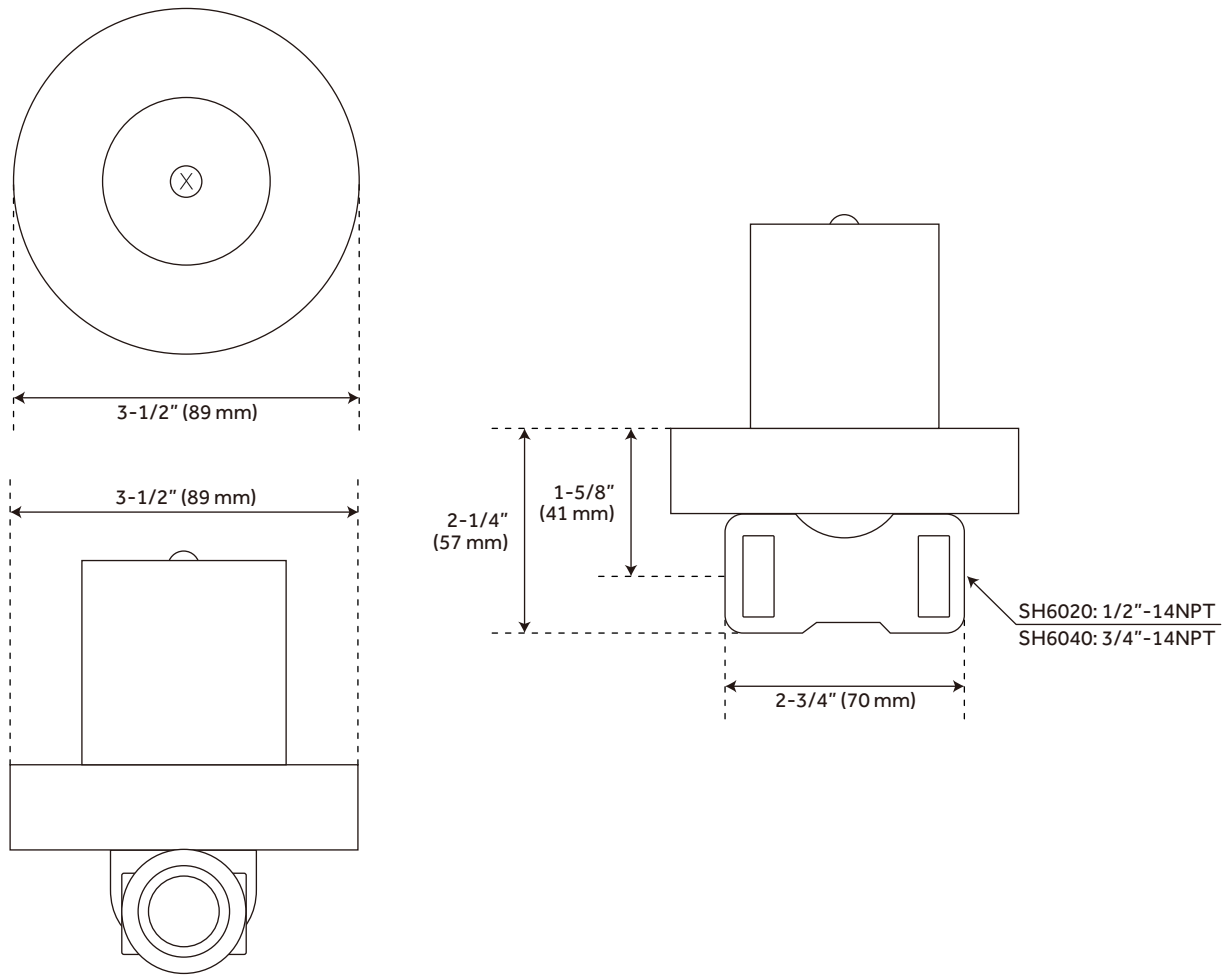
All dimensions and specifications are nominal and may vary. Use actual products for accuracy in critical situations.

PAGE 2
Code: SHBE9007

BEASLEY

OPTIONAL VOLUME CONTROL VALVE WITH 1/2" -OR- 3/4" CONNECTION

SKU: 948779



FEATURES

- Brass Valve Body
- Ceramic Cartridge
- Recommended Valve Installation
Depth 1-5/8" to 2-3/8"

CODES/STANDARDS

- cUPC
- ASME A112.18.1/CSA B125.1
- Massachusetts Accepted

PRODUCT IMAGE



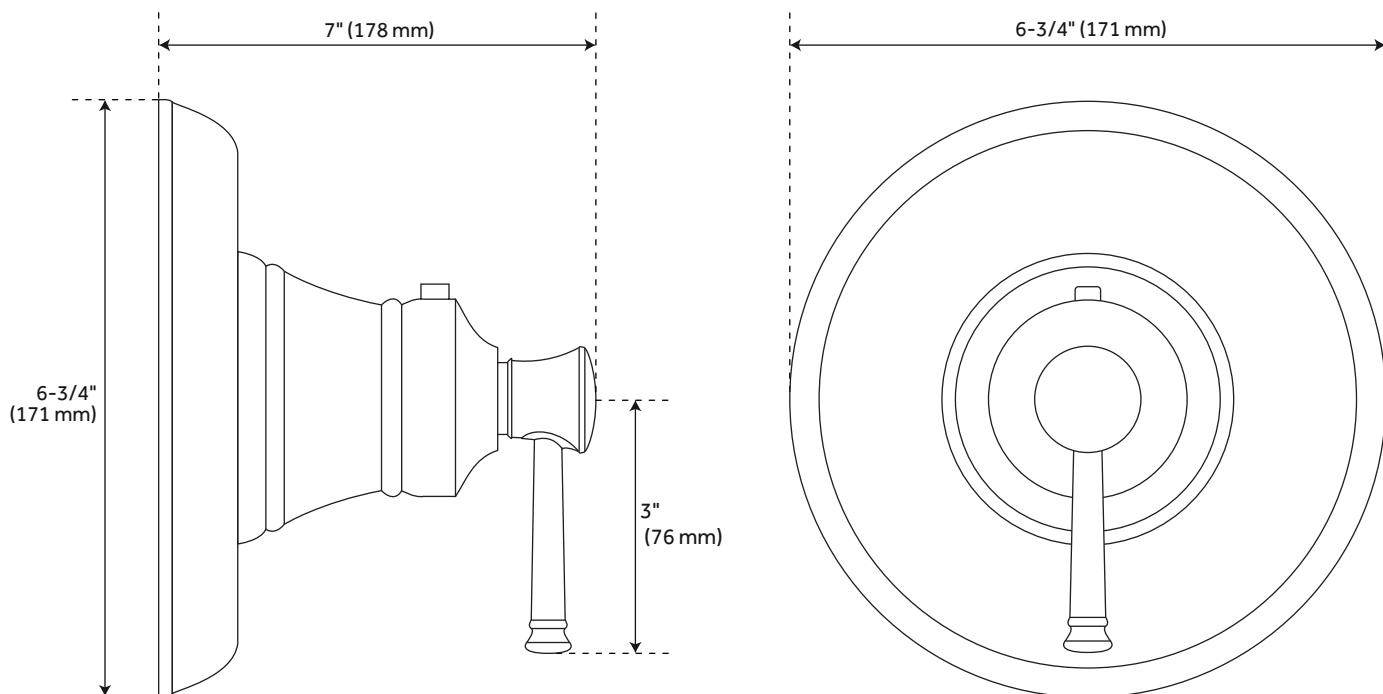
All dimensions and specifications are nominal and may vary. Use actual products for accuracy in critical situations.

PAGE 4
Code: SH6020, SH6040

BEASLEY

THERMOSTATIC SHOWER VALVE

SKU: 948779



FEATURES

Diameter: 6-3/4"
Depth: 7"
Wall Thickness Range: 1" to 1-3/4"

CODES/STANDARDS

cUPC
ASME A112.18.1/CSA B125.1
Massachusetts Accepted

PRODUCT IMAGE



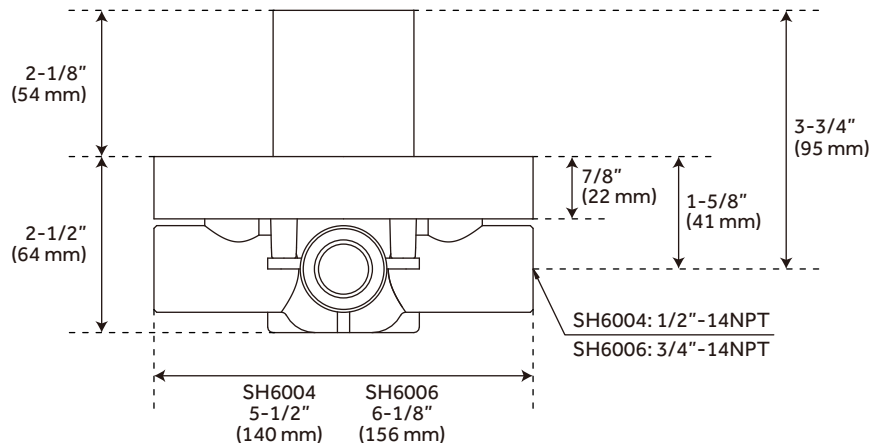
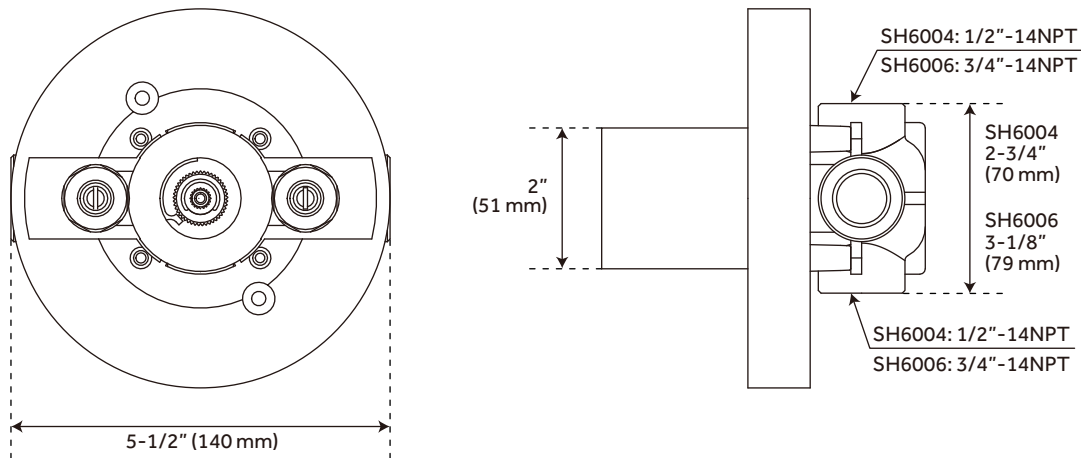
All dimensions and specifications are nominal and may vary. Use actual products for accuracy in critical situations.

PAGE 3
Code: SHBE9009

BEASLEY

OPTIONAL THERMOSTATIC VALVE WITH 1/2" -OR- 3/4" CONNECTION

SKU: 948779



FEATURES

- Bronze Valve Body
- Ceramic Cartridge
- Integral Water Stops and Check Valve
- Must Be Installed in Accordance With Provided Installation Instructions

CODES/STANDARDS

- cUPC
- ASME A112.18.1/CSA B125.1
- ASSE 1016 Type T
- Massachusetts Accepted

PRODUCT IMAGE



All dimensions and specifications are nominal and may vary. Use actual products for accuracy in critical situations.

PAGE 5
Code: SH6004, SH6006