

PROVINCETOWN

PRESSURE BALANCE TUB AND SHOWER SET

SKU: 948673



FEATURES

Material: Brass
Shape: Round
Handle Type: Lever
Assembly Required: No
Installation Type: Wall
Shower Head Material: ABS
Shower Head Spray: Multi-Function
Shower Arm Included: Yes
Shower Head Swivel: Yes
Diverter Included: Yes
3 Function Showerhead (Full Spray, Massage Spray, Full & Massage Spray).
Metal Handle
Tub Spout Diverter
Slip-Fit Tub Spout
Extension Kit Available: ACF4001EXT
Optional Rough-In Valve
Shower Head Flow Rate: 1.8 gpm
(6.8L/min) max @ 80 psi

CONTENTS

SHOWER SET PAGE 2
VALVE PAGE 3

SIGNATURE HARDWARE Lifetime Warranty

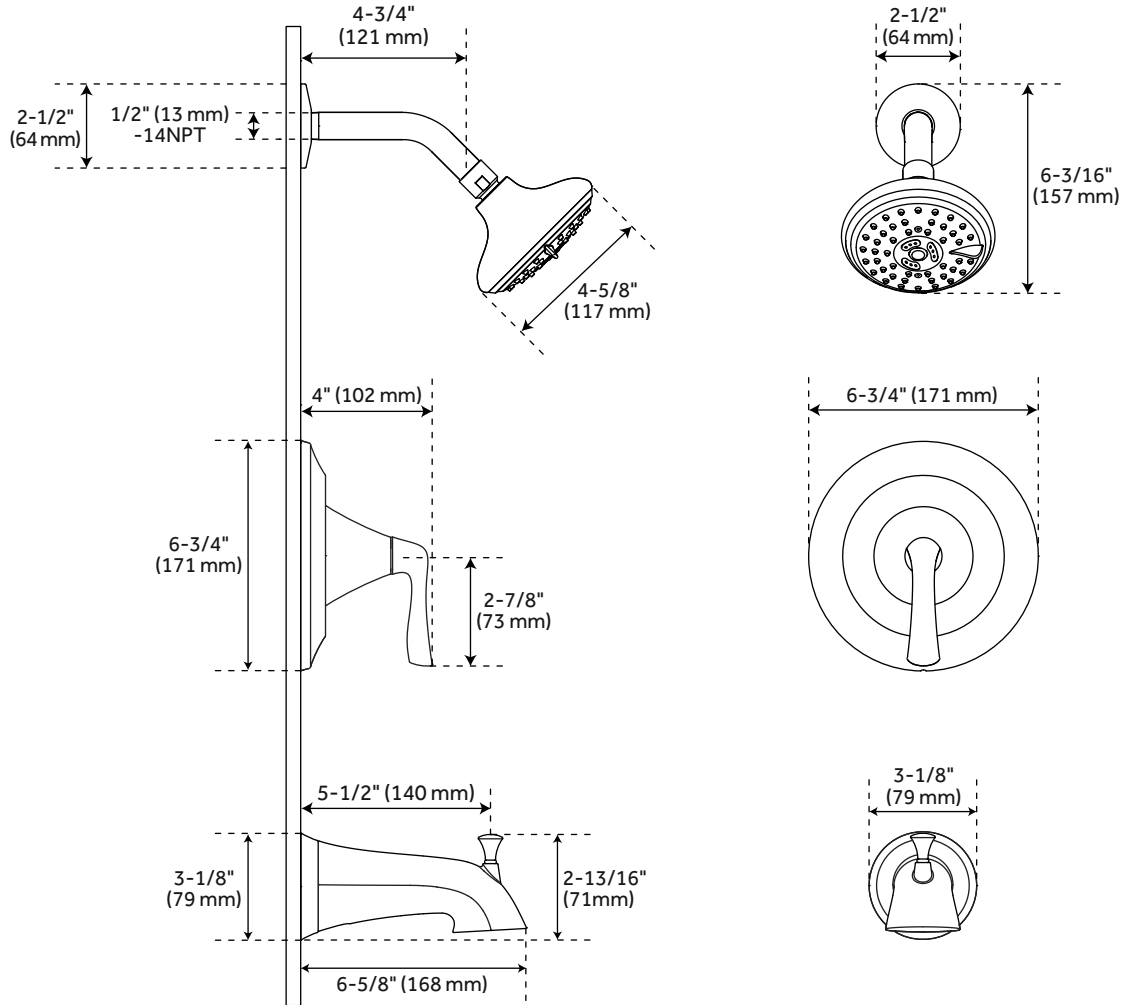
See website for detailed warranty information.

REVISED 01/15/2020

PROVINCETOWN

PRESSURE BALANCE TUB AND SHOWER SET

SKU: 948673



FEATURES

- Shower Head Diameter: 4-5/8"
- Shower Arm Extension: 4-3/4"
- Shower Head IPS: 1/2"
- Tub Filler Spout Reach: 5-1/2"
- Valve Trim Width: 6-3/4"
- Valve Trim Height: 6-3/4"
- NPT Connection: 1/2"

CODES/STANDARDS

- cUPC
- ASME A112.18.1/CSA B125.1
- ICC/ANSI A117.1 (when installed according to ADA standards)
- WaterSense
- CEC Listed
- Massachusetts Accepted

SIGNATURE HARDWARE LIFETIME WARRANTY

See website for warranty information



All dimensions and specifications are nominal and may vary. Use actual products for accuracy in critical situations.

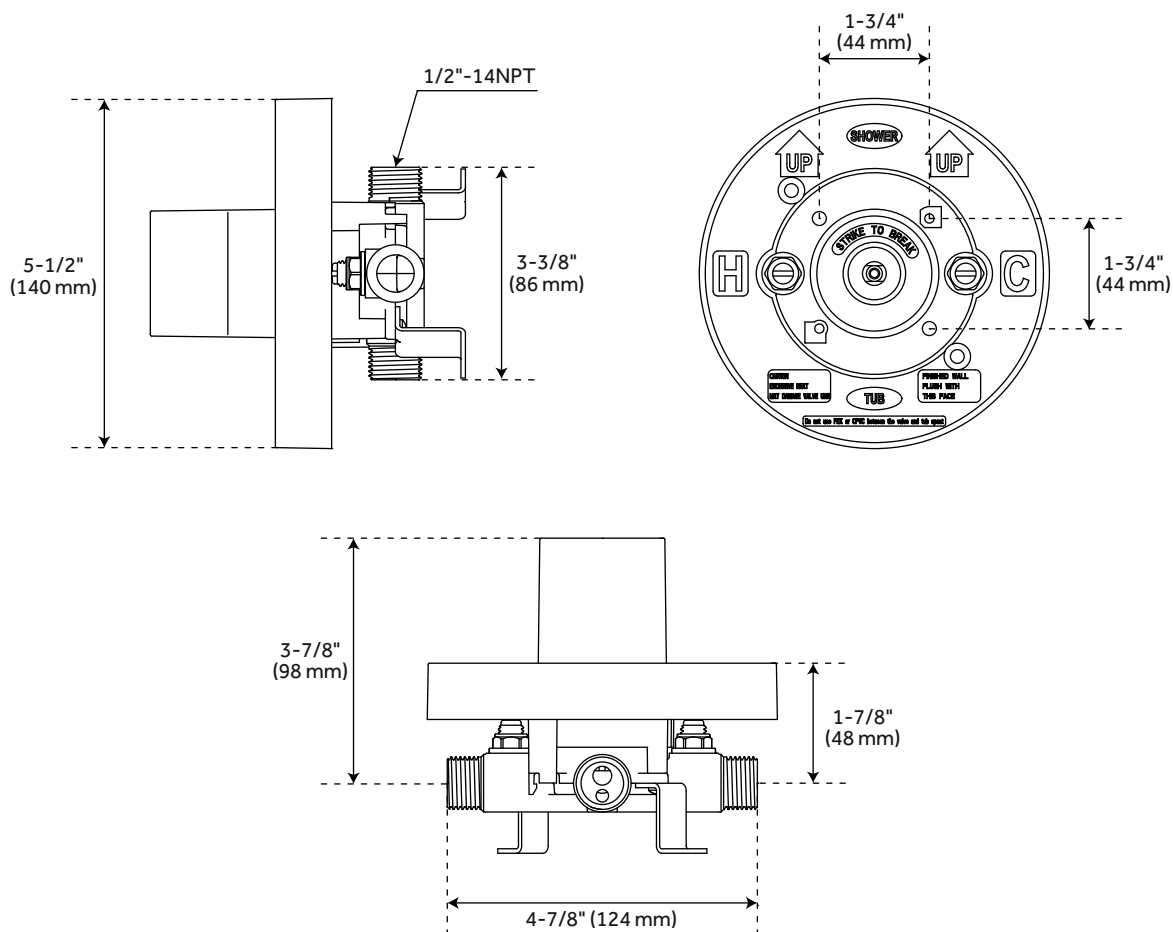
PAGE 2

Code: SHPR8030GBN/SHPR8030GCP

PROVINCETOWN

OPTIONAL PRESSURE BALANCE TUB AND SHOWER ROUGH IN VALVE

SKU: 948673



FEATURES

- Pressure Balance Valve With Integral Stops
- One-Piece Cartridge Design For Ease Of Maintenance
- Back-To-Back Capability
- Ceramic Disc Valve Cartridge
- Cast Bronze Valve Body
- Adjustable Temperature Limit Stop
- Quick Remove Plaster Guard
- Easy Mounting Brackets

CODES/STANDARDS

- cUPC
- ASME A112.18.1/CSA B125.1
- Massachusetts Accepted

SIGNATURE HARDWARE LIFETIME WARRANTY

See website for warranty information



All dimensions and specifications are nominal and may vary. Use actual products for accuracy in critical situations.

PAGE 3
Code: SH4001