

EDENTON

PRESSURE BALANCE TUB AND SHOWER SET

SKU: 948670



FEATURES

Material: Brass
Shape: Round
Handle Type: Lever
Features: Pressure-Balanced
Assembly Required: No
Installation Type: Wall
Shower Head Material: ABS
Shower Head Spray: Single Function
Shower Arm Included: Yes
Shower Head Swivel: Yes
Diverter Included: Yes
Tub Spout Diverter
Extension Kit Available: ACF4001EXT
Optional Rough-in Valve
Shower Head Flow Rate: 1.8 gpm
(6.8L/min) max @ 80 psi

SIGNATURE HARDWARE Lifetime Warranty

See website for detailed warranty information.

CONTENTS

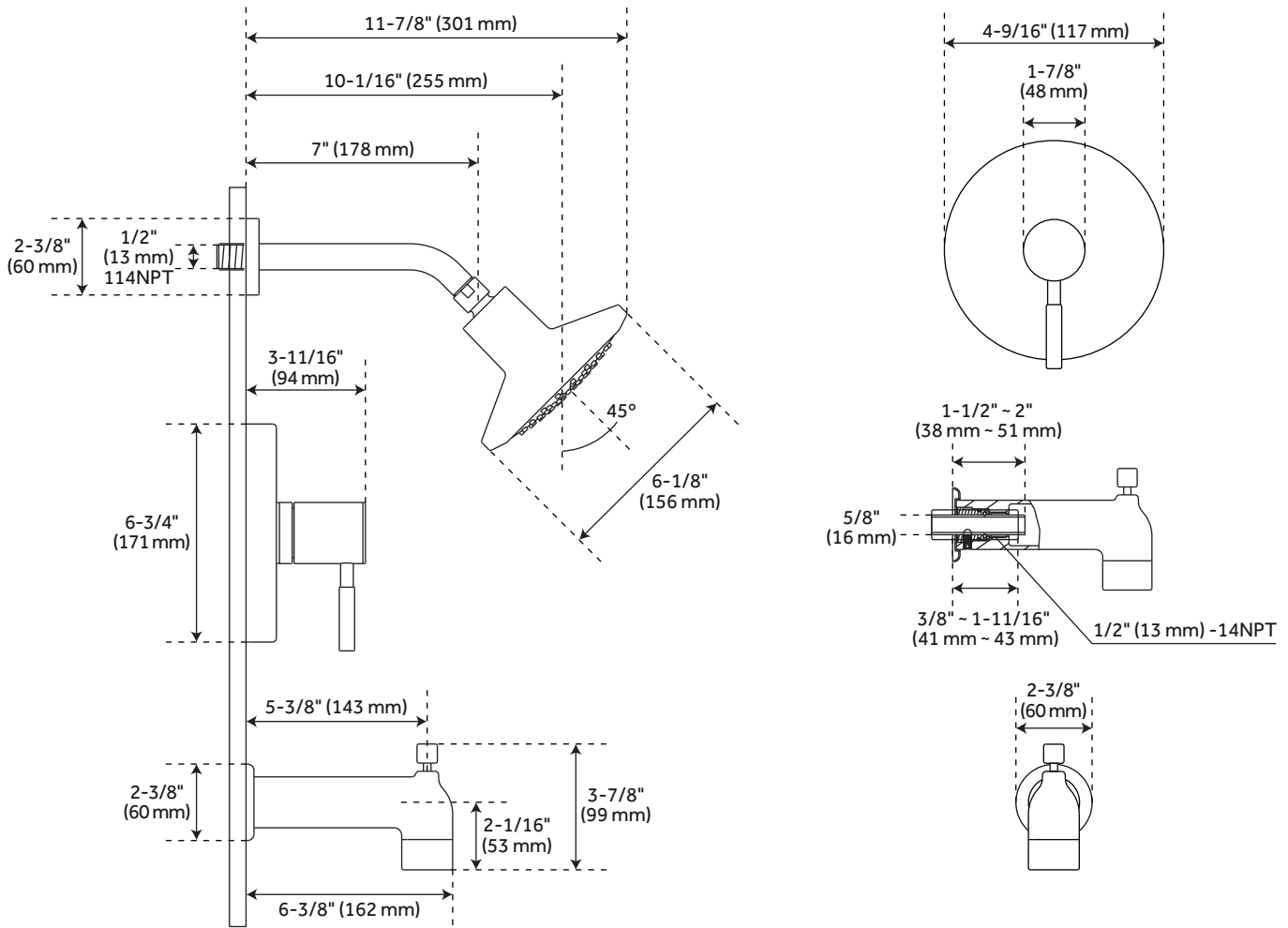
SHOWER SET	PAGE 2
VALVE	PAGE 3

REVISED 01/14/2020

EDENTON

PRESSURE BALANCE TUB AND SHOWER SET

SKU: 948670



FEATURES

- Shower Head Diameter: 6-1/8"
- Shower Arm Extension: 7"
- Shower Head IPS: 1/2"
- Tub Filler Spout Reach: 5-3/8"
- Valve Trim Width: 6-3/4"
- Valve Trim Height: 6-3/4"
- NPT Connection: 1/2"
- CTS Slip-Fit Tub Spout: 1/2"

CODES/STANDARDS

- cUPC
- ASME A112.18.1/CSA B125.1
- ADA compliant (when installed according to ADA standards)
- WaterSense
- CEC Listed
- Cal Green
- Massachusetts Accepted

SIGNATURE HARDWARE LIFETIME WARRANTY

See website for warranty information



All dimensions and specifications are nominal and may vary. Use actual products for accuracy in critical situations.

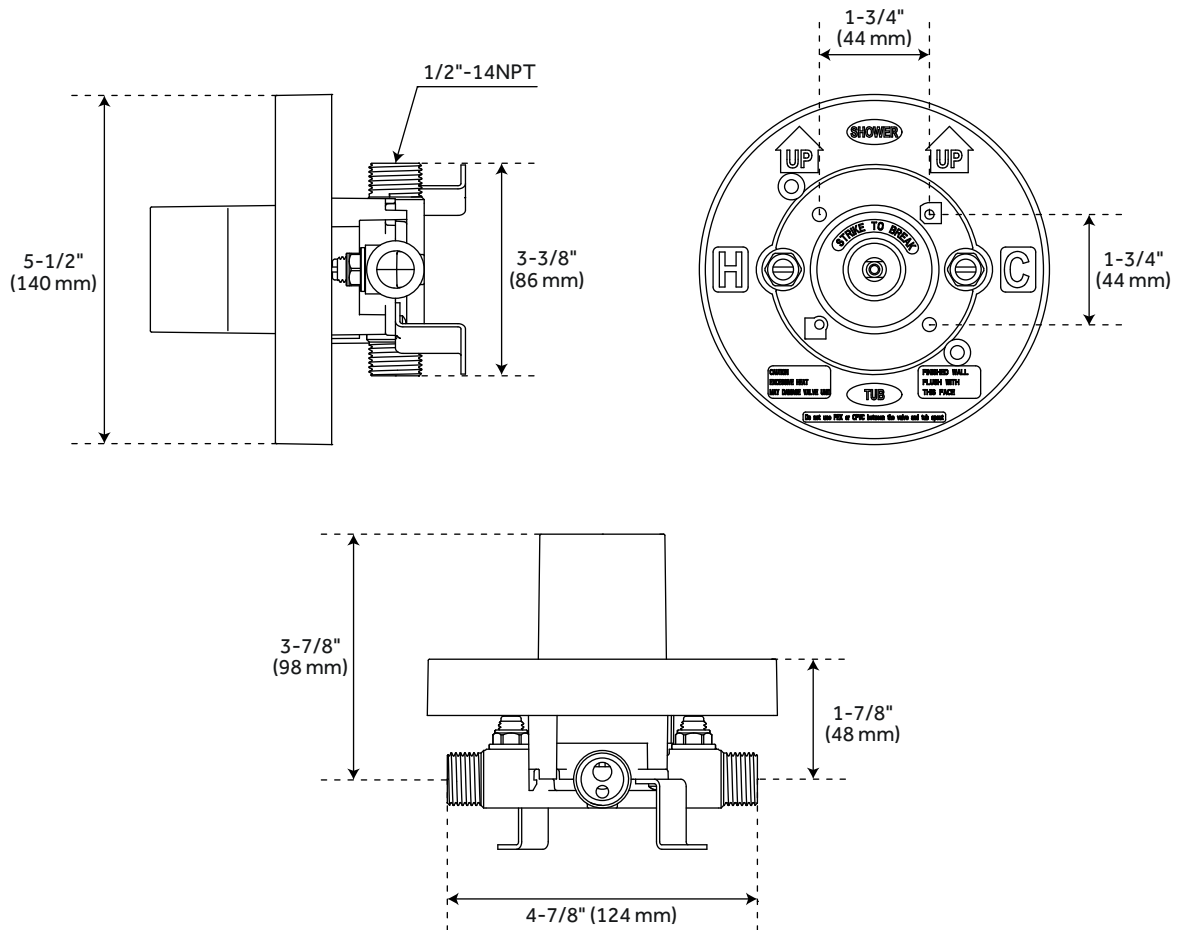
PAGE 2

Code: SHED8030GBN/SHED8030GCP

EDENTON

OPTIONAL PRESSURE BALANCE TUB AND SHOWER ROUGH IN VALVE

SKU: 948670



FEATURES

- Pressure Balance Valve With Integral Stops
- One-Piece Cartridge Design For Ease Of Maintenance
- Back-To-Back Capability
- Ceramic Disc Valve Cartridge
- Cast Bronze Valve Body
- Adjustable Temperature Limit Stop
- Quick Remove Plaster Guard
- Easy Mounting Brackets

CODES/STANDARDS

- cUPC
- ASME A112.18.1/CSA B125.1
- Massachusetts Accepted

SIGNATURE HARDWARE LIFETIME WARRANTY

See website for warranty information



All dimensions and specifications are nominal and may vary. Use actual products for accuracy in critical situations.

PAGE 3
Code: SH4001