

PINECREST

THERMOSTATIC SHOWER VALVE WITH VOLUME CONTROL - CROSS HANDLES

SKU: 948807



FEATURES

Material: Brass
Handle Type: Cross
Features: Thermostatic
Assembly Required: No
Design: Modern
Installation Type: Wall Mount
Metal Handles
Mounting Hardware Included: Yes
Temperature Outlet Factory Preset to 104
Degrees Fahrenheit
Temperature Can Be Easily Adjusted Up and
Down to User's Comfort Level
Scald Guard Protection
High Temperature Limit Stop
Thermostatic Technology Keeps Shower
Temperature Within 1 Degree Celsius
Optional Rough-in Valves

CONTENTS

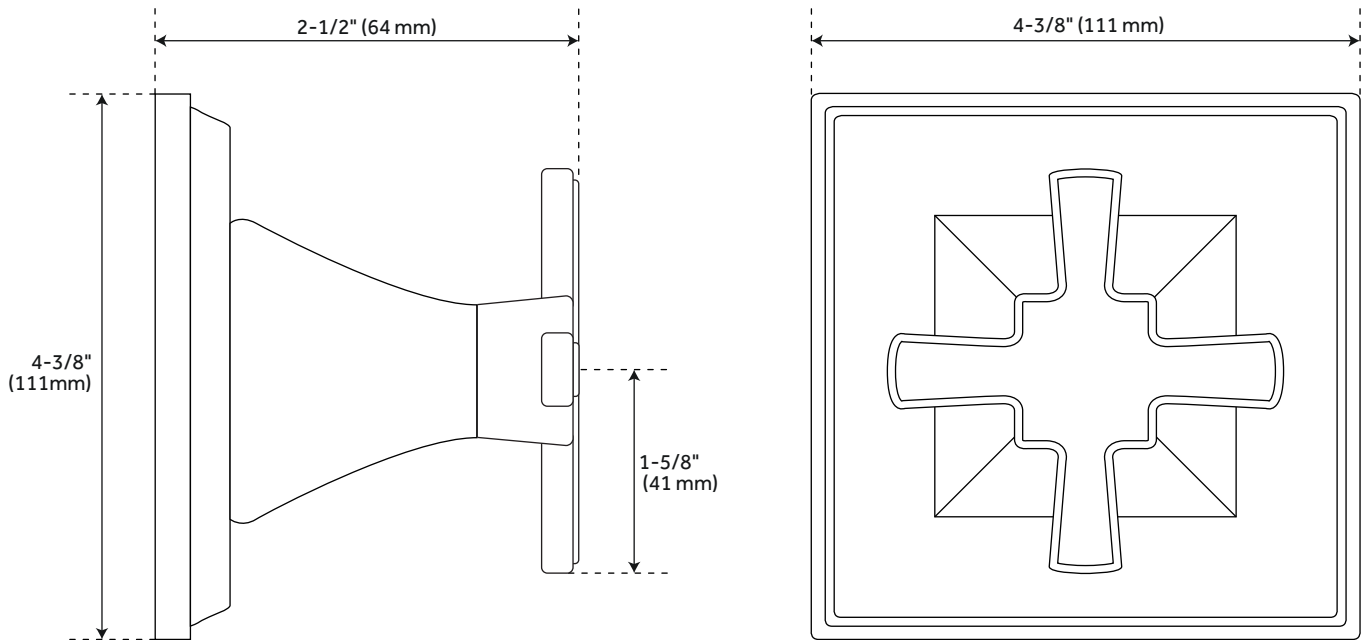
VOLUME CONTROL	PAGE 2
VOLUME CONTROL VALVE	PAGE 3
THERMOSTATIC TRIM	PAGE 4
THERMOSTATIC VALVE	PAGE 5

REVISED 10/05/2020

PINECREST

IN-WALL SHOWER VOLUME CONTROL WITH CROSS HANDLE

SKU: 948807



FEATURES

Width: 4-3/8"
Height: 4-3/8"
Depth: 2-1/2"
Wall Thickness Range: 1" to 1-3/4"

CODES/STANDARDS

cUPC
ASME A112.18.1/CSA B125.1
ICC/ANSI A117.1 (when installed
according to ADA standards)
Massachusetts Accepted

PRODUCT IMAGE



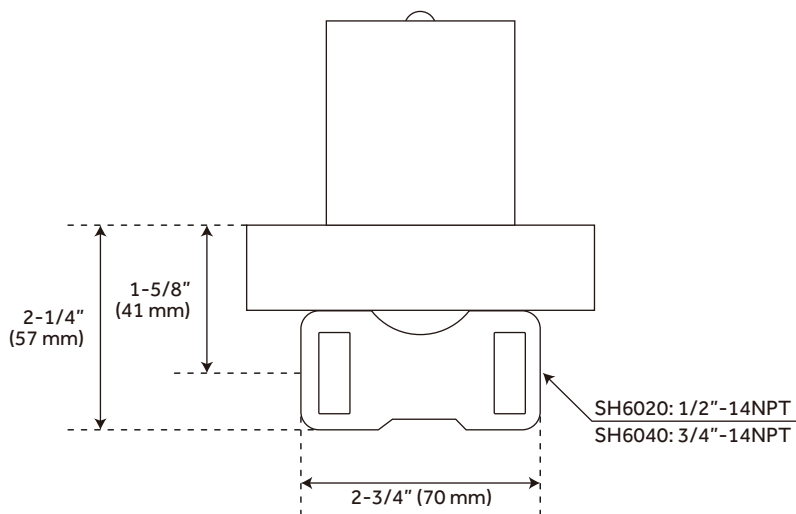
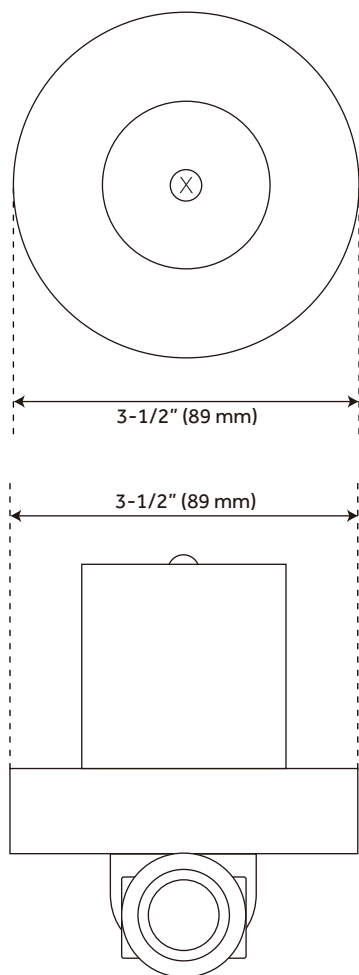
All dimensions and specifications are nominal and may vary. Use actual products for accuracy in critical situations.

PAGE 2
Code: SHPC9007LH, SHPCVCCRS

PINECREST

OPTIONAL VOLUME CONTROL VALVE WITH 1/2" -OR- 3/4" CONNECTION

SKU: 948807



FEATURES

Brass Valve Body
Ceramic Cartridge

CODES/STANDARDS

cUPC
ASME A112.18.1/CSA B125.1
Massachusetts Accepted

PRODUCT IMAGE



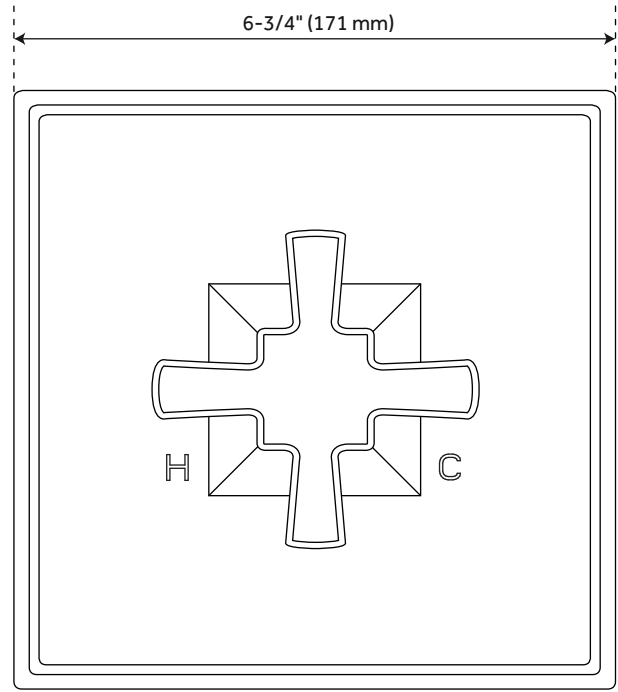
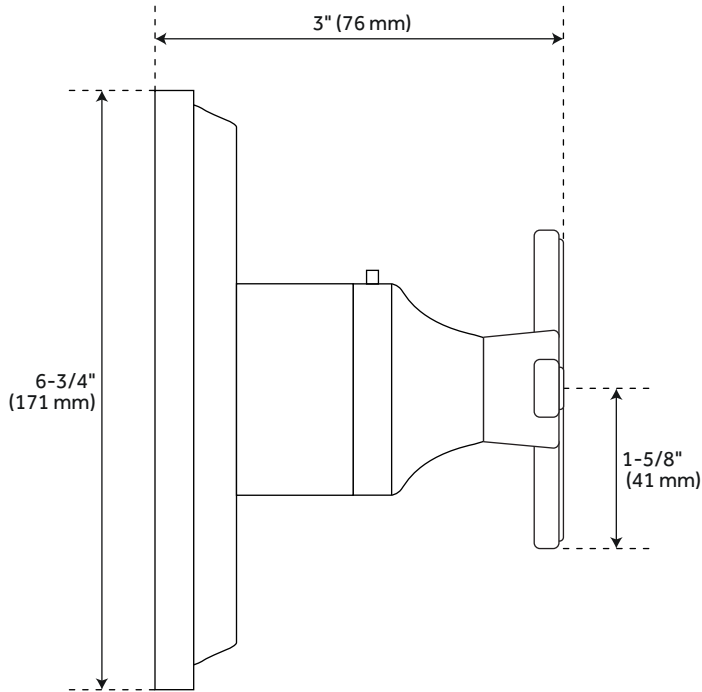
All dimensions and specifications are nominal and may vary. Use actual products for accuracy in critical situations.

PAGE 3
Code: SH6020, SH6040

PINECREST

THERMOSTATIC SHOWER VALVE WITH CROSS HANDLE

SKU: 948807



FEATURES

Width: 6-3/4"
Height: 6-3/4"
Depth: 3"

CODES/STANDARDS

cUPC
ASME A112.18.1/CSA B125.1
Massachusetts Accepted

PRODUCT IMAGE



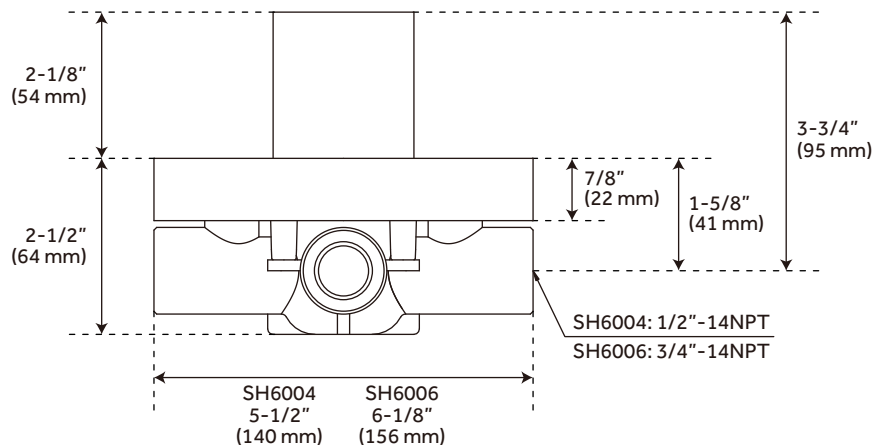
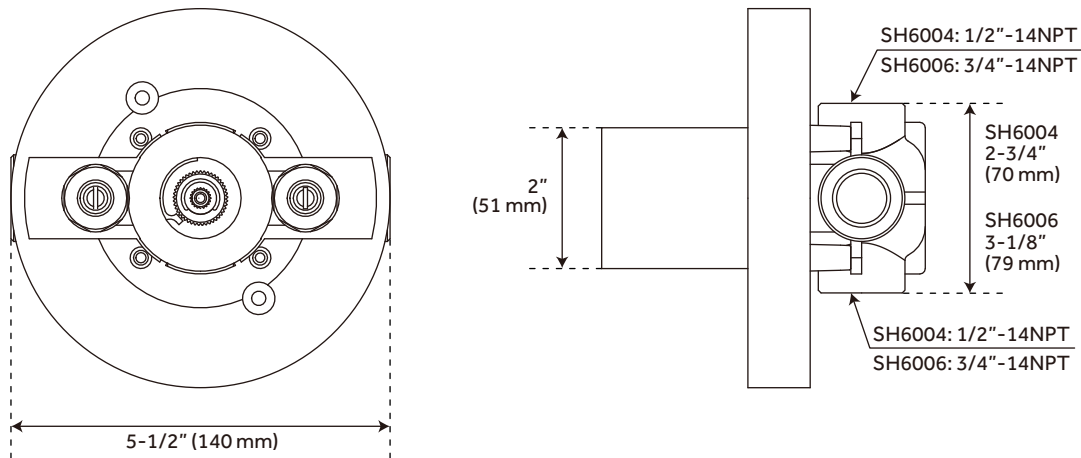
All dimensions and specifications are nominal and may vary. Use actual products for accuracy in critical situations.

PAGE 4
Code: SHPC9009LH, SHPCTSTCRS

PINECREST

OPTIONAL THERMOSTATIC VALVE WITH 1/2" -OR- 3/4" CONNECTION

SKU: 948807



FEATURES

- Bronze Valve Body
- Ceramic Cartridge
- Integral Water Stops and Check Valve
- Recommended Valve Installation Depth 1-5/8" to 2-3/8"
- Must Be Installed in Accordance With Provided Installation Instructions

CODES/STANDARDS

- cUPC
- ASME A112.18.1/CSA B125.1
- ASSE 1016 Type T
- Massachusetts Accepted

PRODUCT IMAGE



All dimensions and specifications are nominal and may vary. Use actual products for accuracy in critical situations.

PAGE 5
Code: SH6004, SH6006