

# VILAMONTE

## THERMOSTATIC SHOWER VALVE TRIM

SKU: 948914



### FEATURES

- Material: Brass
- Shape: Square
- Handle Type: Lever
- Features: Thermostatic
- Assembly Required: No
- Installation Type: Wall
- Metal Lever Handle
- Temperature Outlet Factory Preset to 104 Degrees Fahrenheit
- Temperature Can Be Easily Adjusted Up and Down to User's Comfort Level
- Scald Guard Protection
- High Temperature Limit Stop
- Thermostatic Technology Keeps Shower Temperature Within 1 Degree Celsius
- For Proper Installation, Requires Use of Volume Control Valve and Trim
- Optional Rough-In Valve

### CONTENTS

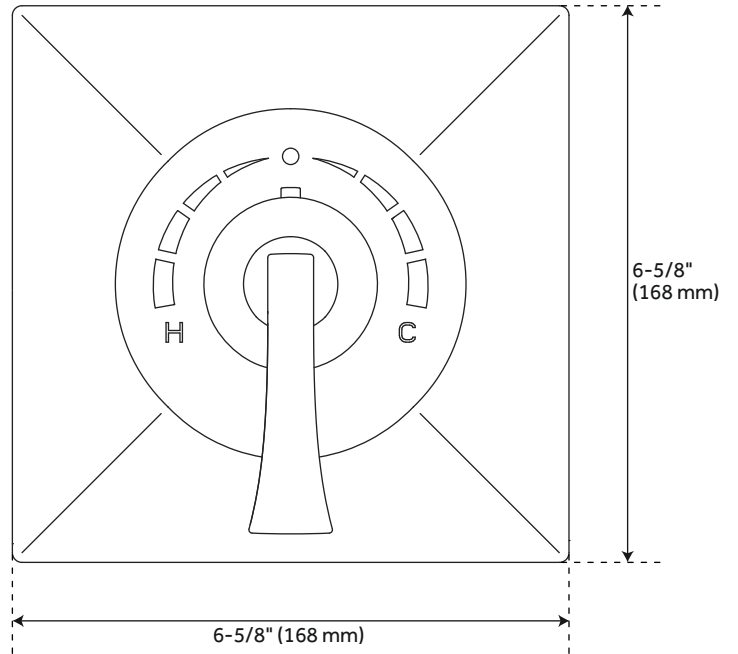
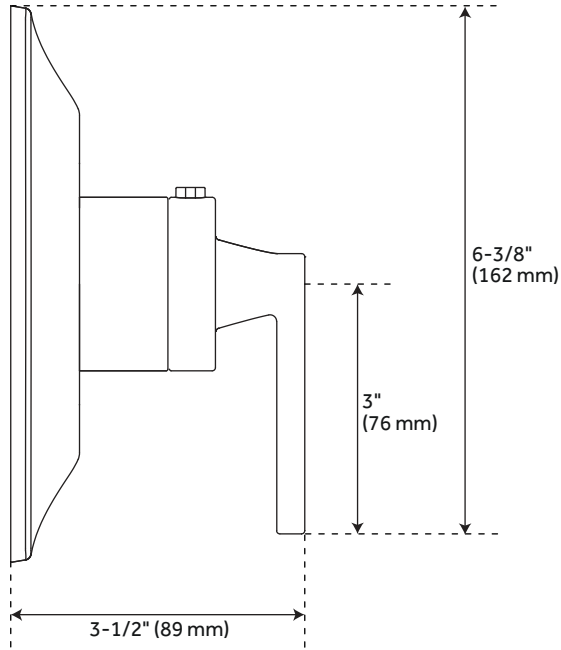
TRIM	.....	PAGE 2
VALVE	.....	PAGE 3

REVISED 10/05/2020

# VILAMONTE

## THERMOSTATIC TRIM

SKU: 948914



### FEATURES

- Width: 6-5/8"
- Height: 6-5/8"
- Depth: 3-1/2"
- Wall Thickness Range: 1" to 1-3/4"

### CODES/STANDARDS

- cUPC
- ASME A112.18.1/CSA B125.1
- ADA compliant (when installed according to ADA standards)
- Massachusetts Accepted

### PRODUCT IMAGE



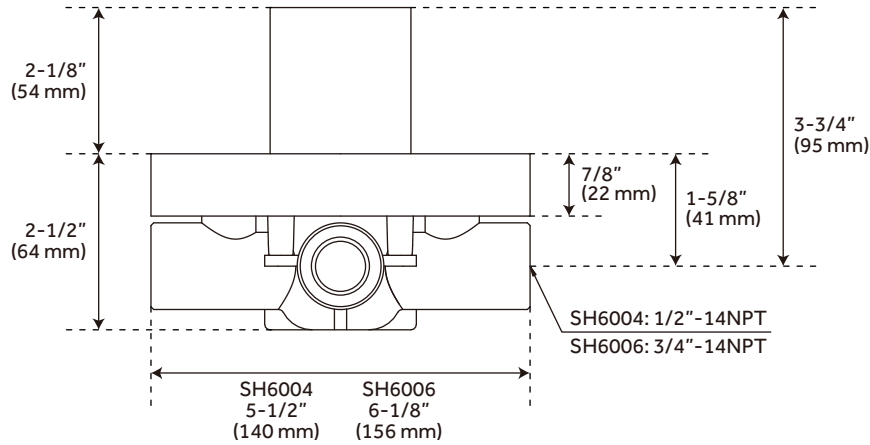
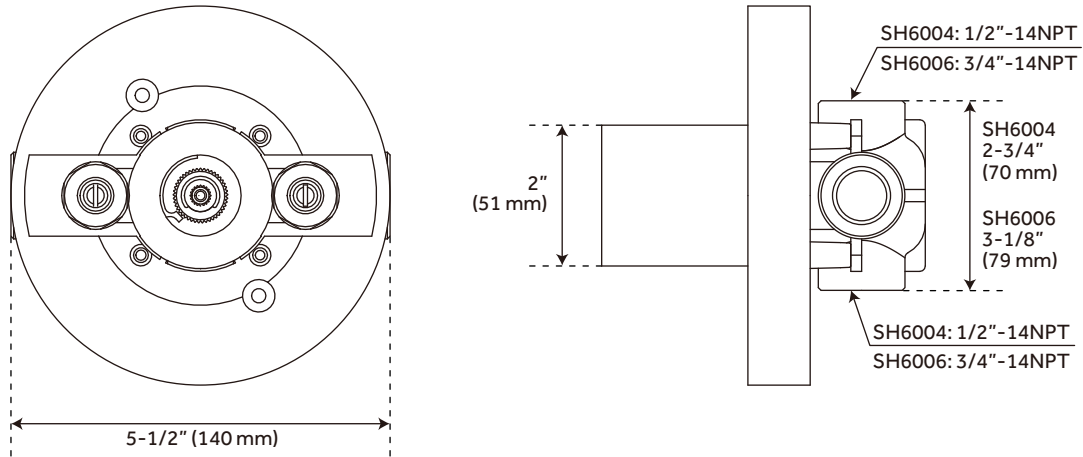
All dimensions and specifications are nominal and may vary. Use actual products for accuracy in critical situations.

PAGE 2  
Code: SHVL9009

# VILAMONTE

## OPTIONAL THERMOSTATIC VALVE WITH 1/2" -OR- 3/4" CONNECTION

SKU: 948914



### FEATURES

- Bronze Valve Body
- Ceramic Cartridge
- Integral Water Stops and Check Valve
- Recommended Valve Installation Depth 1-5/8" to 2-3/8"
- Must Be Installed in Accordance With Provided Installation Instructions

### CODES/STANDARDS

- cUPC
- ASME A112.18.1/CSA B125.1
- ASSE 1016 Type T
- Massachusetts Accepted

### PRODUCT IMAGE



All dimensions and specifications are nominal and may vary. Use actual products for accuracy in critical situations.

PAGE 3  
Code: SH6004, SH6006