

# BA-300/300S

# 1/4" - 3"

MSS SP-110

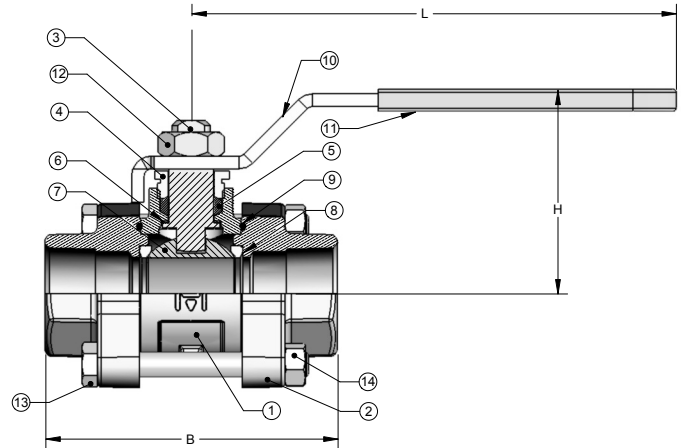
**BRONZE BALL VALVE  
THREE-PIECE, FULL-PORT  
600 WOG / 150 SWP (1)  
THREADED ENDS  
BLOW-OUT PROOF STEM**

### MATERIALS LIST

ITEM	PART	MATERIALS	ASTM SPEC.
1	Body	Bronze	B584
2	End Cap	Bronze	B584
3	Stem	Brass	B16
		316 Stainless Steel (2)	A276
4	Packing Nut	Brass	B16
5	Packing	PTFE	
6	Thrust Washer	RPTFE, 25% Glass Reinforced	
7	Ball	CP Brass	B16
		316 Stainless Steel (2)	A276
8	Seat	RPTFE, 15% Glass Reinforced	
9	O- Ring	Viton	Commercial
10	Handle	Steel w/ Zinc Plating	Commercial
11	Handle Grip	Vinyl	
12	Handle Nut	Steel w/ Zinc Plating	Commercial
13	Bolt	Steel w/ Zinc Plating	Commercial
14	Nut	Steel w/ Zinc Plating	Commercial

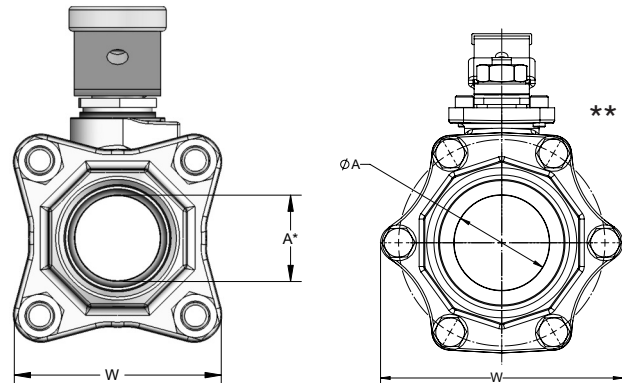
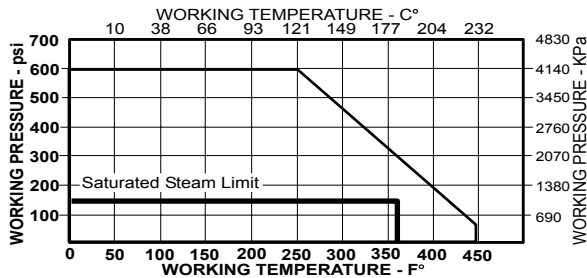
(1) Milwaukee Valve Company recommends the use of Stainless Steel ball and stem for steam applications. Please consult factory for more information.

(2) Ball and stem are stainless for 300S.



### PRESSURE and TEMPERATURE CHART

VALVES RATED FOR VACUUM SERVICE TO 29 INCHES Hg.



### DIMENSIONS

	UNITS	1/4"	3/8"	1/2"	3/4"	1"	1 1/4"	1 1/2"	2"	2 1/2"	3" *
		DN6	DN10	DN15	DN20	D25	D32	D40	D50	DN 65	DN 80
A	INCHES	0.5	0.5	0.5	0.75	1	1.25	1.5	2	2.5	2.5
	mm	13	13	13	19	25	32	38	51	64	64
B	INCHES	3.03	3.03	3.03	3.65	3.82	4.86	5.06	6	6.84	6.84
	mm	77	77	77	90	97	123	129	152	174	174
H	INCHES	1.65	1.65	1.65	2.24	2.65	2.86	3.03	3.26	4.09	4.09
	mm	42	42	42	57	67	73	77	83	104	104
L	INCHES	4.03	4.03	4.06	4.58	6.3	6.32	7.2	7.2	8	8
	mm	102	102	103	116	160	161	183	183	203	203
W	INCHES	1.95	1.95	1.95	2.19	2.48	3	3.13	3.78	5	5
	mm	50	50	50	56	63	76	80	96	127	127
F	THREAD	1/4"	3/8"	1/2"	3/4"	1"	1 1/4"	1 1/2"	2"	2 1/2"	3"
	SIZE	NPT	NPT	NPT	NPT	NPT	NPT	NPT	NPT	NPT	NPT
Cv		7	7	17	31	60	110	185	360	390	390

Note: DN(DiameterNominal)=Metric equivalent size.

\* 3" is Standard Port.

\*\* 2 1/2" & 3" Only.

Rev. 7

The information presented on this sheet is correct at the time of publication. Milwaukee Valve reserves the right to change design, and/or material specifications without notice. For the Installation, Operation and Maintenance Manual (IOM) see the engineering section on our website. For the most current information access [www.milwaukeevalve.com](http://www.milwaukeevalve.com)

