

Specifications

PF172 series

BASKET STRAINER



Product Features

- High impact plastic construction
- Two piece design for easy top-tightening installation
- For 3-1/2" (88.9mm) sink opening

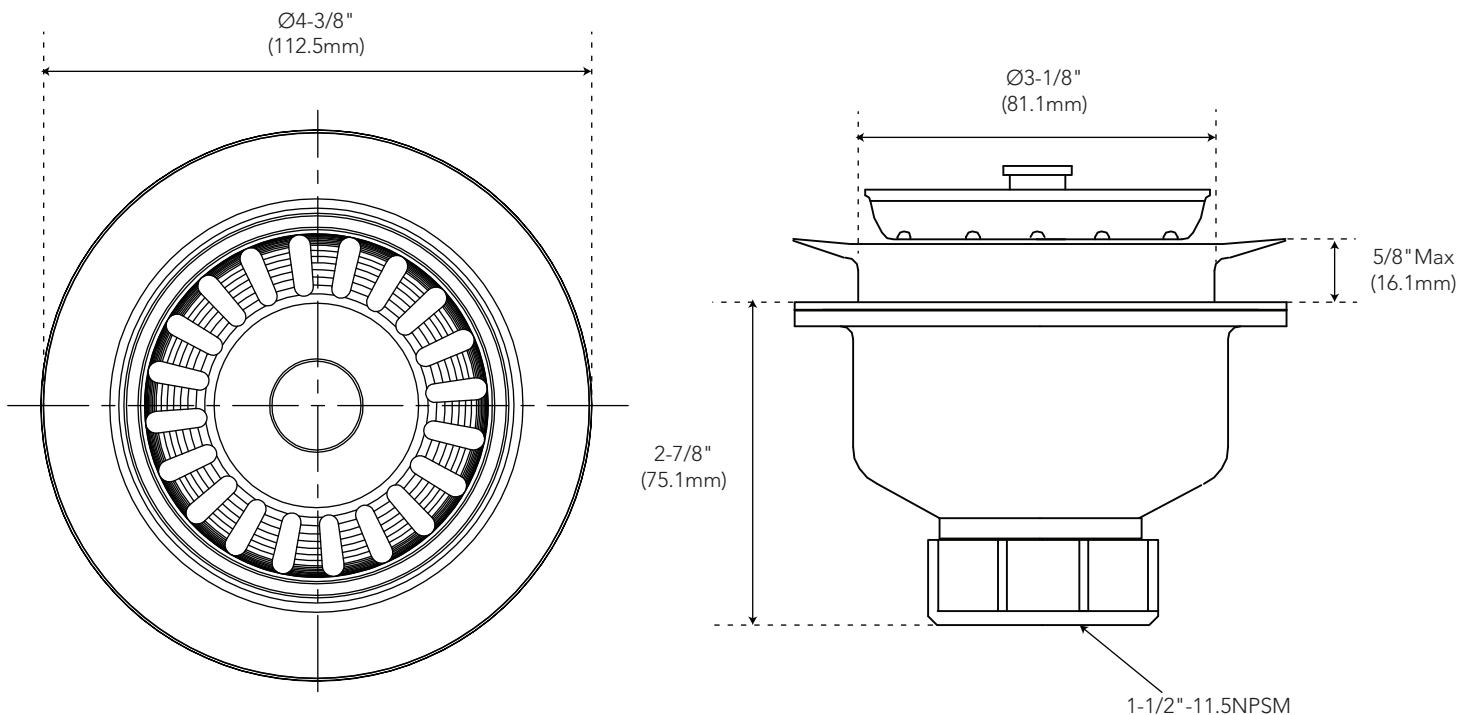
Model Numbers

PF172WH White
PF172BLK Black



PF172WH

Product Specification



* All measurements are nominal. Please verify before actual installation.

Warranty and Codes

This product comes complete with installation, operating, care and maintenance instructions. This PROFLO product carries a 1-year limited warranty.