

PFXC5552

**SCOVIN SINGLE HANDLE PULL-DOWN
KITCHEN FAUCET**



Model Numbers

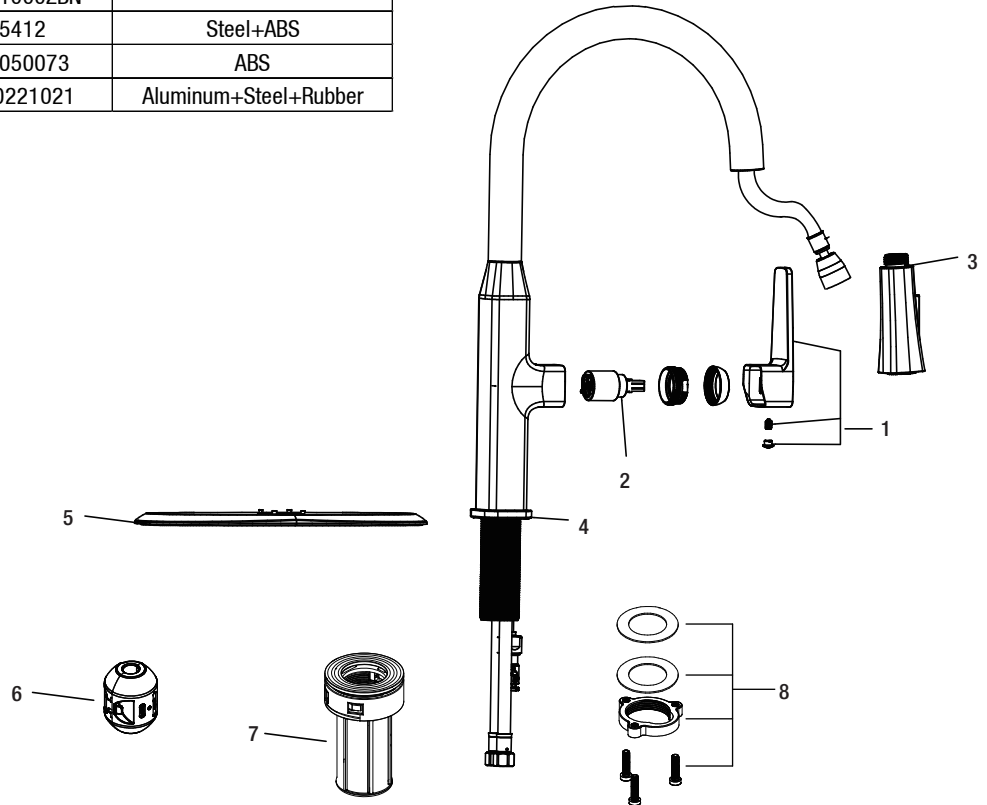
- PFXC5552CP Chrome
- PFXC5552ZBN PVD Brushed nickel
- PFXC5552MB Matte black

| No. | Part & Code | Material Type |
|-----|-------------------|--------------------|
| 1 | Spray head | OBPF799991006117* |
| | | OBPF99991006117ZBN |
| 2 | Cartridge | OBPF2F25X24X01 |
| 3 | Sprayhead | OBPF621010511030* |
| | | OBPF21010511030ZBN |
| 4 | Flange | OBPF121010911003* |
| | | OBPF21010911003ZBN |
| 5 | Desk plate | OBPF121010910004* |
| | | OBPF12101091000ZBN |
| 6 | Weight | OBPF18305412 |
| 7 | Quick install nut | OBPF120007050073 |
| 8 | Mounting hardware | OBPF1121010221021 |

* Specify Finish



PFXC5552CP



Warranty and Codes

This product comes complete with installation, operating, care and maintenance instructions. This PROFLO faucet carries a limited lifetime warranty when installed in residential applications. The warranty is five years in commercial applications. This product meets ASME: A112.18.1. *Compliant with lead content requirements of US Senate Bill S.3874

