

**PFXC5552**

**SCOVIN SINGLE HANDLE PULL-DOWN  
KITCHEN FAUCET**



**Model Numbers**

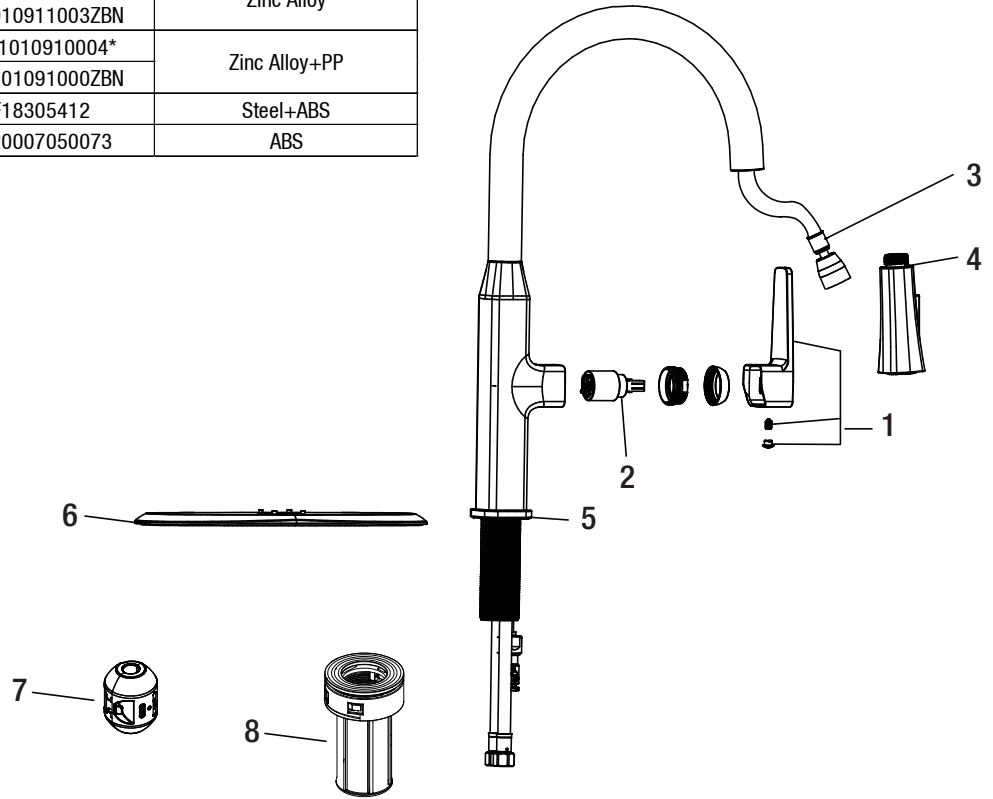
- PFXC5552CP Chrome
- PFXC5552ZBN PVD Brushed nickel
- PFXC5552MB Matte black



**PFXC5552CP**

No.	Part & Code	Material Type
1	Handle	OBPF799991006117*
		OBPF99991006117ZBN
2	Cartridge	OBPF2F25X24X01
3	Pull-down hose	OBPF611210104910*
4	Sprayhead	OBPF621010511030*
		OBPF21010511030ZBN
5	Flange	OBPF121010911003*
		OBPF21010911003ZBN
6	Desk plate	OBPF121010910004*
		OBPF12101091000ZBN
7	Weight	OBPF18305412
8	Quick install nut	OBPF120007050073

\* Specify Finish



**Warranty and Codes**

This product comes complete with installation, operating, care and maintenance instructions. This PROFLO faucet carries a limited lifetime warranty when installed in residential applications. The warranty is five years in commercial applications. This product meets ASME: A112.18.1. \*Compliant with lead content requirements of US Senate Bill S.3874

