

Parts Breakdown

SCOVIN

**PFXC5552 SINGLE HANDLE
PULL-DOWN KITCHEN FAUCET**

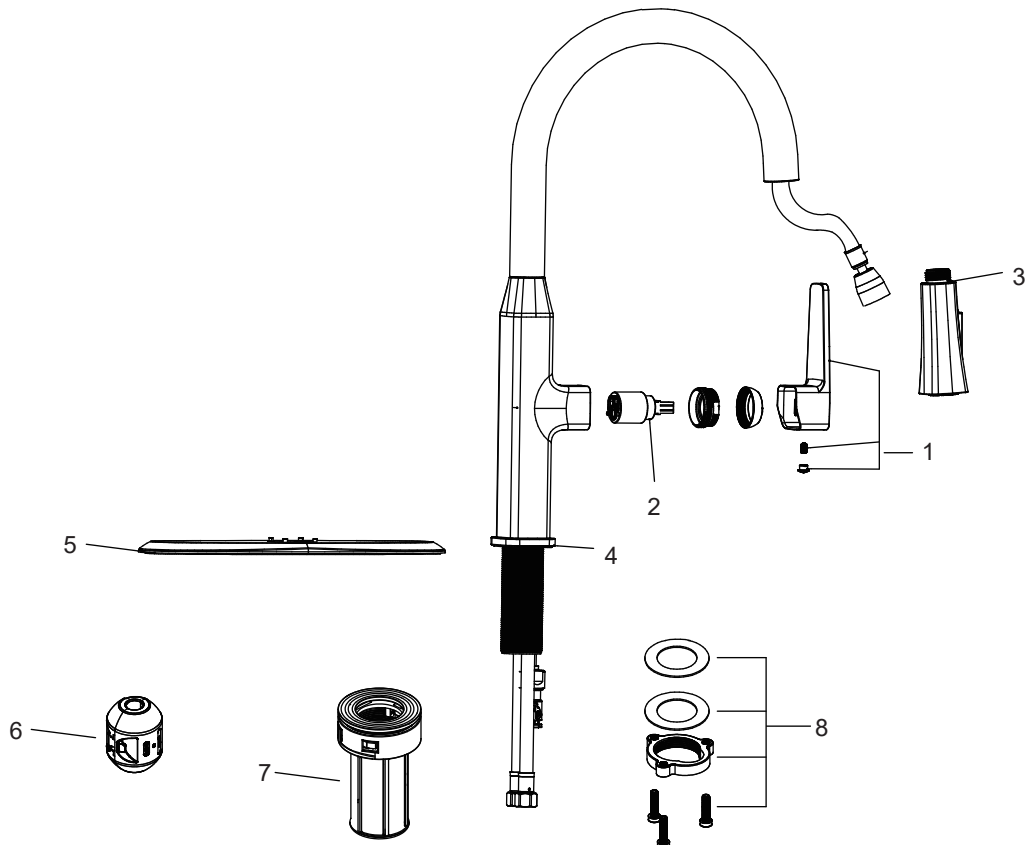


Parts

No.	Part Name	Part Number	Material
1	Handle	OBPF799991006117*	Zinc
2	Cartridge	OBPF2F25X24X01	Plastic
3	Sprayhead	OBPF621010511030*	Plastic
4	Flange	OBPF121010911003*	Zinc
5	Deck plate	OBPF121010910004*	Zinc, Plastic
6	Weight	OBPF18305412	Steel
7	Quick install nut	OBPF120007050073	Plastic
8	Mounting hardware	OBPF1121010221021	Aluminum, Steel, Rubber



PFXC5552CP



For detailed warranty information, visit ferguson.com/proflo-faucet-warranty.

** Designate proper finish suffix