

# Fig. 188R (Formerly Afcon Fig. 514) Two Hole Standoff Hanger & Restrainer

**Size Range:** 3/4" through 2"

**Material:** Carbon Steel

**Finish:** Pre-Galvanized per ASTM A653

**Service:**

- Hanger and surge restraint for horizontal CPVC, steel, and copper piping when installed on the top, bottom, and side of the supporting structure.
- Guide for vertical CPVC, steel, and copper piping when installed on the side of the supporting structure.
- Horizontal and vertical seismic restraint per NFPA 13-2016 requirements.
- May be installed with concrete, steel structural members, and other structural members with fasteners which comply with the requirements of NFPA 13.

**Approvals:** cULus Listed

Patents: No. 6,648,278

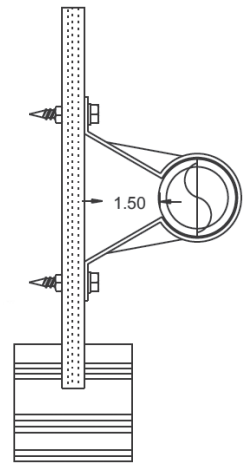
**Installation:**

- Snap hanger over pipe. If needed, squeeze strap back around pipe.
- CPVC pipe must be allowed to slide freely through the Fig. 188R.
- Secure hanger to mounting surface with screws provided or with listed fasteners.

**Features:**

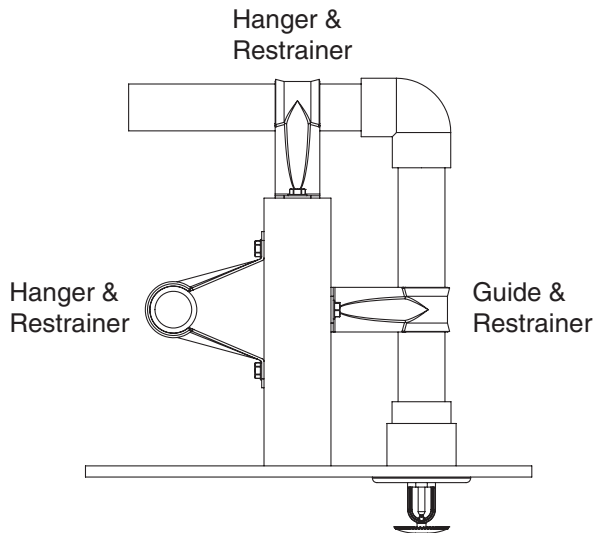
- Beveled edge design helps protect the CPVC pipe from any rough surface and eliminates pipe abrasion.
- Easily attaches to wood structure with #10 x 1" hex washer head self-threading screw supplied with product. No pre-drilling required.
- Bottom of pipe is offset 1 1/2" from the structure. Eliminates wooden spacer blocks.

**Ordering:** Specify CPVC pipe size, figure number and description.



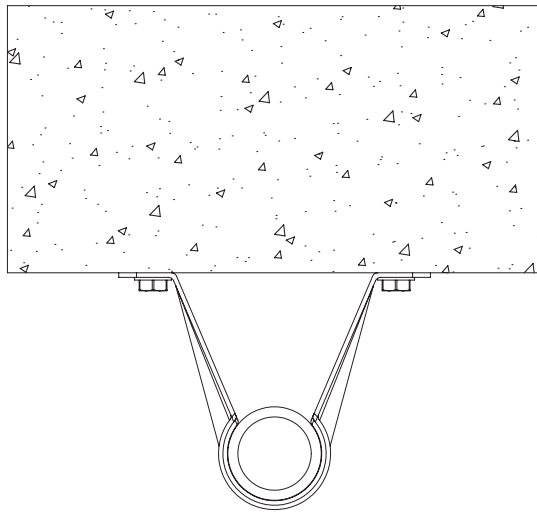
**Installation - Backing Nut**  
 Hanger = 1 - at top fastener  
 Restraint = 2 - on each fastener

**Per NFPA-13D and NFPA-13R**

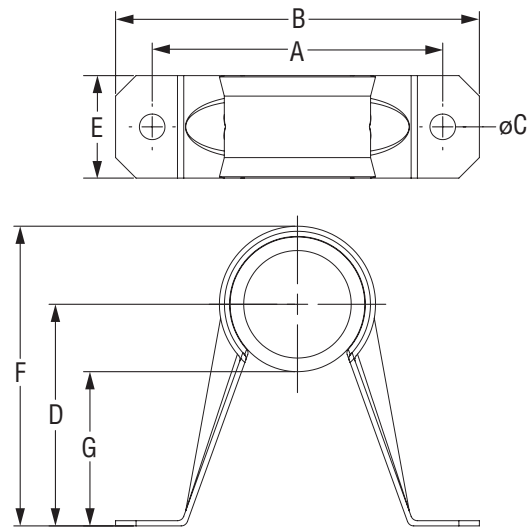


PROJECT INFORMATION		APPROVAL STAMP	
Project:		<input type="checkbox"/> Approved	
Address:		<input type="checkbox"/> Approved as noted	
Contractor:		<input type="checkbox"/> Not approved	
Engineer:		Remarks:	
Submittal Date:			
Notes 1:			
Notes 2:			

**Fig. 188R** (Formerly Afcon Fig. 514) **Two Hole Standoff Hanger & Restrainer** (cont.)



Hanger and Restrainer



<b>FIG. 188R: DIMENSIONS (IN) • WEIGHT (LBS)</b>									
<b>CPVC Pipe Size</b>	<b>A</b>	<b>B</b>	<b>øC</b>	<b>D</b>	<b>E</b>	<b>F</b>	<b>G</b>	<b>Max. Hanger Spacing (FT.)</b>	<b>Approx. Weight/100 (lbs)</b>
¾	2¾	3½	¼	2	1	2 <sup>5</sup> / <sub>8</sub>	1½	5½	11
1	2 <sup>13</sup> / <sub>16</sub>	3½	¼	2 <sup>3</sup> / <sub>16</sub>	1	2 <sup>15</sup> / <sub>16</sub>	1½	6	12
1¼	2 <sup>13</sup> / <sub>16</sub>	3½	¼	2 <sup>5</sup> / <sub>16</sub>	1	3¼	1½	6½	13
1½	3 <sup>5</sup> / <sub>8</sub>	4¼	¼	2 <sup>7</sup> / <sub>16</sub>	1	3½	1½	7	14
2	3 <sup>11</sup> / <sub>16</sub>	4¾	¼	2 <sup>11</sup> / <sub>16</sub>	1	4	1½	8	16

<b>FIG. 188R: LISTED FASTENERS</b>		
<b>Pipe</b>	<b>Wood and Composite Beams</b>	<b>Steel (18ga. Minimum)</b>
CPVC	Screw Supplied or #10 x 1" TEK Screw	#14 x 1" TEK Screw or ¼" x 1" TEK Screw
Steel & Copper	#14 x 1" TEK Screw or ¼" x 1½" Lag Screw	#14 x 1" TEK Screw or ¼" x 1" TEK Screw