

### Features

- Siphon jet urinal.
- 0.5 or 1.0 gpf (1.9 or 3.8 lpf) based on valve selected.
- Includes inlet and outlet spuds and hangers.
- Includes anit-backsplash walls.
- 14-1/2" extended rim.

### Material

- Vitreous china.

### Installation

- 3/4" rear spud.

### Water Conservation & Rebates

- Watersense® compliant when used with WaterSense flushometer.

### Components

Additional included component/s: 3/4" Inlet Spud, 2" Outlet Spud, and Hanger (2 Required).



ADA

### Codes/Standards





ASME A112.19.2/CSA B45.1  
DOE - Energy Policy Act 1992  
EPA WaterSense®  
ADA  
ICC/ANSI A117.1

### KOHLER® One-Year Limited Warranty

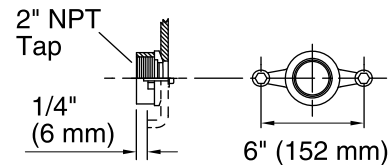
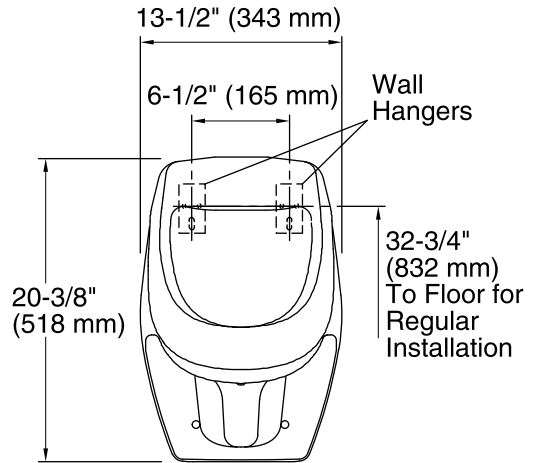
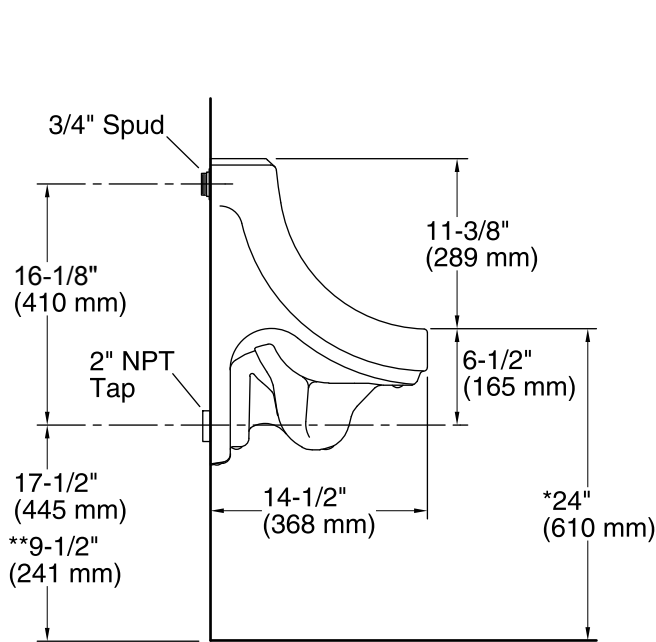
See website for detailed warranty information.

### Available Color/Finishes

*Color tiles intended for reference only.*

Color	Code	Description
	0	White
	96	Biscuit
	47	Almond
	7	Black Black™

\*Urinal complies with ADA requirement when installed per Section 605 of the Act.  
\*\*Recommended outlet height for ADA compliance.



**Spud Detail**

### Technical Information

All product dimensions are nominal.  
Flush outlet technology: Siphon jet  
Spud size: 3/4", outlet, Rear  
Max. Water per Flush: 0.5 gal (1.9 L)

### Notes

Install this product according to the installation guide.  
Refer to manufacturer's instructions and local codes for flushometer requirements.  
ADA compliant when installed to the specific requirements of these regulations.