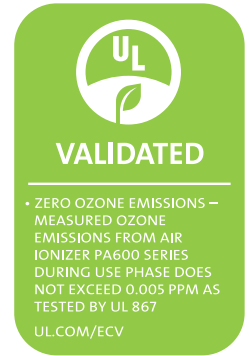




The Plasma Air 600 Series **Models 601 / 602 / 603 / 604** brush needlepoint ionizers are rated for 2400 CFM and produce positive and negative ions neutralizing harmful pathogens, pollutants and odors. This self-balancing ionizer is typically installed at the fan inlet of fan coil units, VRF cassettes, ductless splits, WSHP etc. These ionizers are self-contained in a potted ABS box with a molded flange and mounting holes and is protected with an inline 500mA glass cartridge fuse. The 600 series is UL2998 validated for zero ozone emissions.



SPECIFICATIONS:

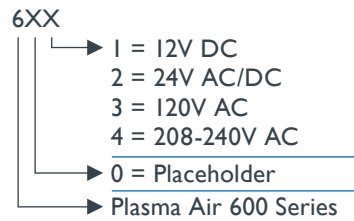
- Airflow Capacity: 2,400 CFM
- Pressure Drop: Less than 0.01 In. WG
- Housing Material: ABS
- Weight: 0.2 lbs
- Maximum Operating Temperature: 200° F (93°C)
- Electrical:
 - Voltage Input 12V DC (601)
 - 24V AC/DC (602)
 - 120V AC (603)
 - 208-240V AC (604)
 - Power Consumption: Less than 1 watt
 - Frequency: 50/60 hertz
 - Over Current Protection: 500mA Glass Cartridge Fuse
 - Lead Wires 50"(L)

Ionization Type:

- Mode of Operation: Needlepoint
- Needle Configuration: Brush

DIMENSIONS: See Figure 1

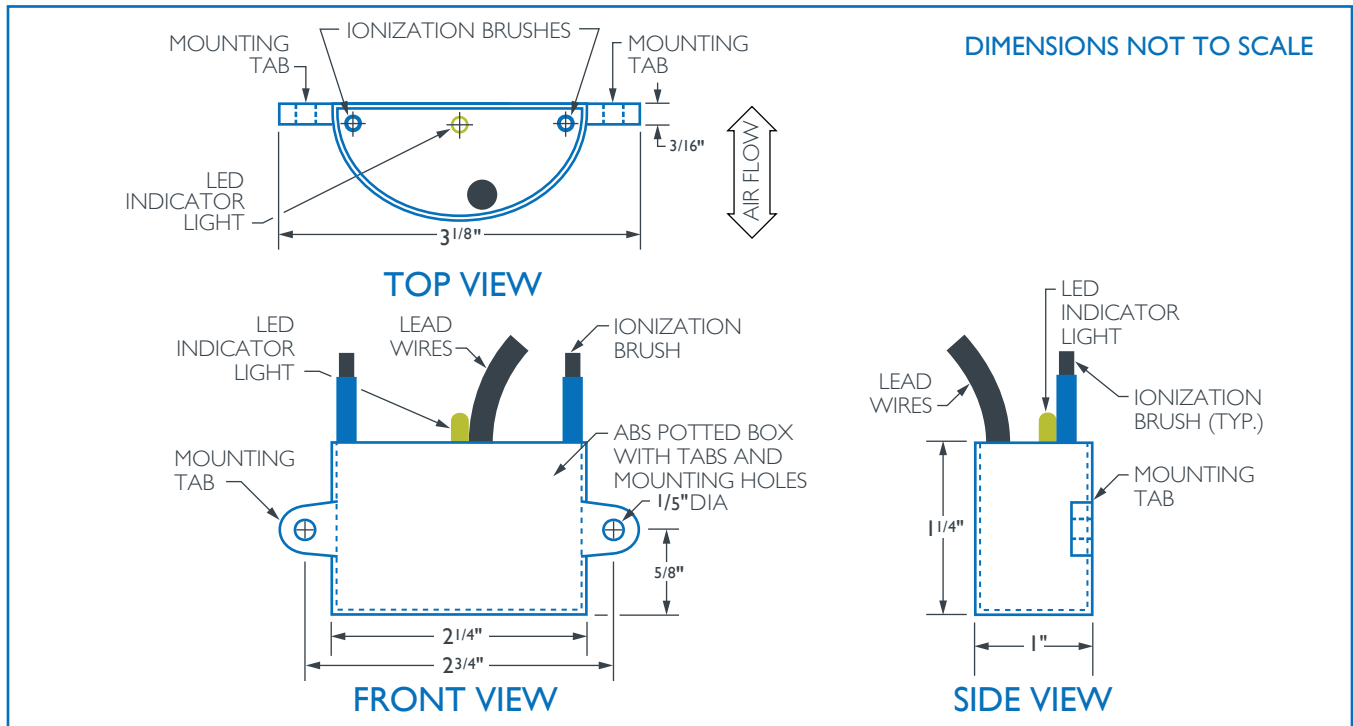
ORDERING NOMENCLATURE:



COMPLIANCE AND CERTIFICATIONS:

UL 867, CSA C22.2# 187, UL 2998, UL 2043, CARB, ISO 16000

FIGURE 1



All stated specifications are subject to change without notice or obligation.