

ROUGH VALVE

Features

- Solid brass construction
- 1/2" NPT female thread (inlet and outlet) valve body
- Mounting tabs located on rough-in for secure installation option
- 12.5 gpm (gallons per minute) flow rate (@ 40 psi)
- High torque quarter-turn washerless ceramic valve cartridges.
- Requires Newport Brass Wall Mount Tub Trim (many options available, sold-separately)

Wall Mount Tub Rough Valve

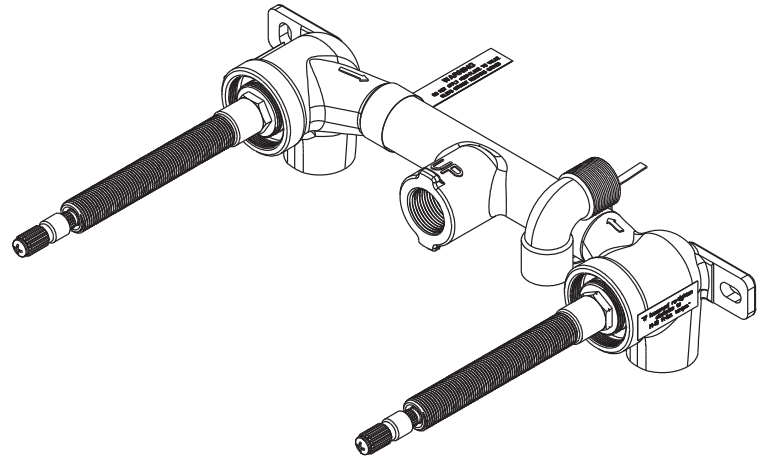
1-500T



Codes / Standards Compliance

Meets or exceeds the following at date of manufacture:

- ASME A112.18.1/CSA B125.1
- IAPMO/Cupc
- IPC
- ASSE 1016
- All applicable US Federal and State material regulations



Specified Model

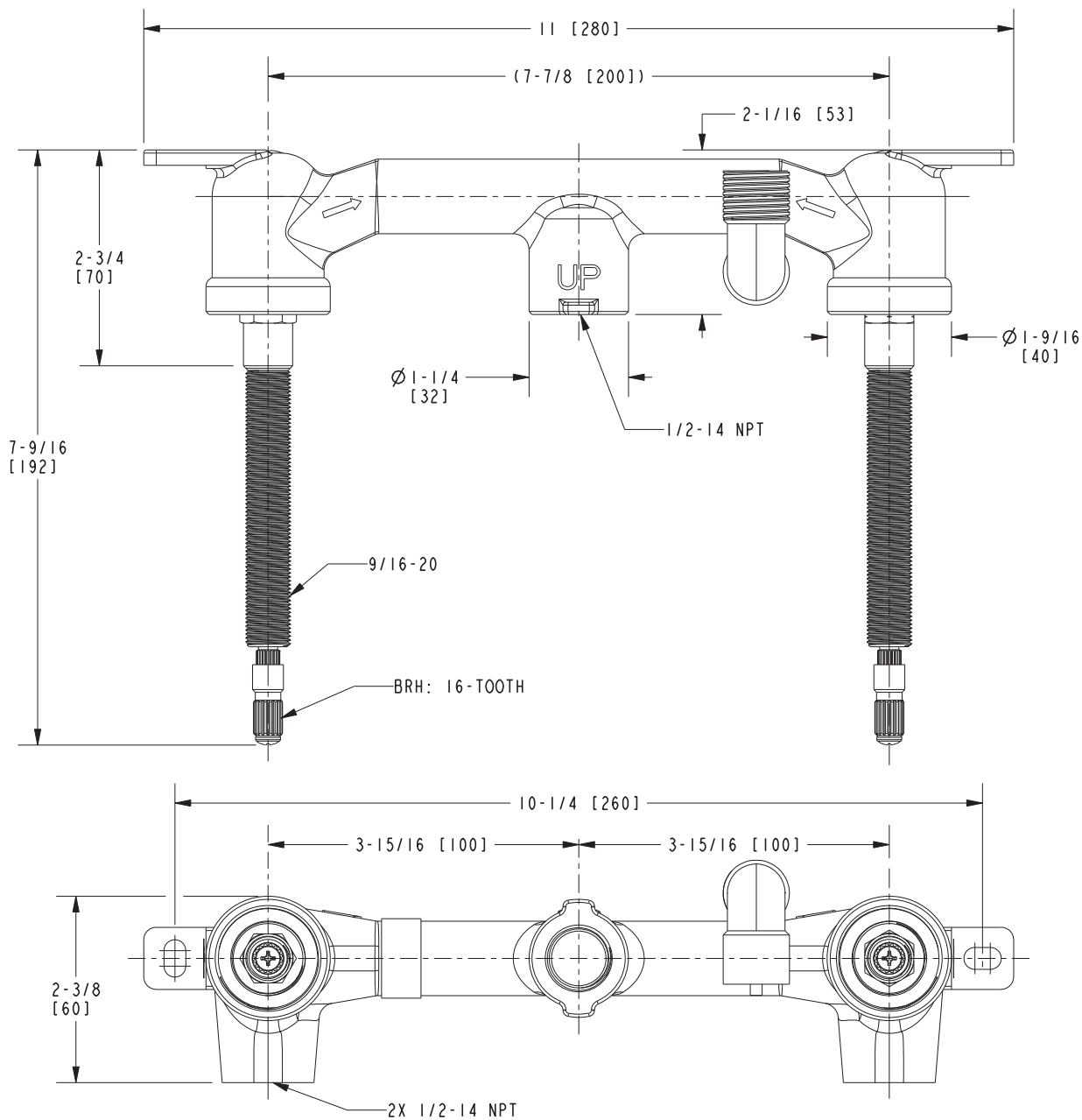
Model	Description	Colors Finishes
1-500T	Wall Mount Valve for Tub Installations	<input type="checkbox"/> NA

Product Specification: Add "Color / Finish" suffix to Model number, below.

The wall mount valve for tub installations shall be made of solid brass construction. Valve body shall have 1/2" NPT female thread for inlets and outlet. Valve body shall incorporate high torque quarter-turn washerless ceramic valve cartridges. Valve body shall incorporate mounting tabs along the back surface. Valve shall have a maximum flow rate of 12.5 gpm (gallons per minute) @ 40 psi. Rough Valve for wall mount tub installations shall be Newport Brass Model 1-500T.

1-500T

PRODUCT DIMENSIONS *(Units are in inches)*



Newport Brass Wall Mount Tub Valve 1-500T