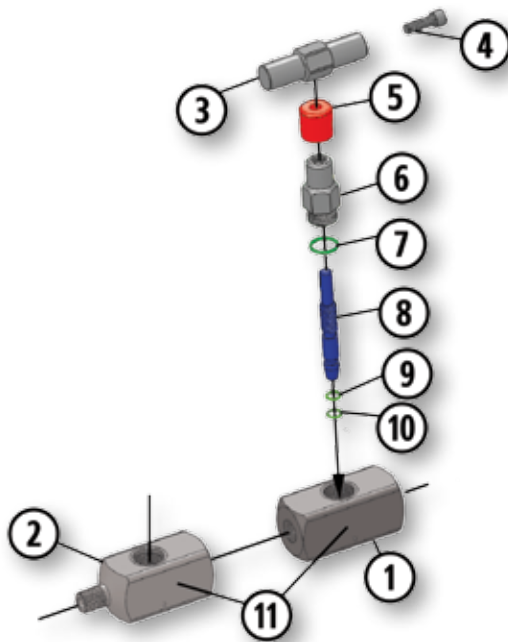


# Threaded Needle Valves

## 10000 PSI / Metal Seated

- 316 Stainless Steel Stem Standard
- Bonnet Locking Shroud
- Precise Metering
- Maximum Temp 200°



### Material Description

| ITEM | PART NAME             | CARBON STEEL VALVE  |
|------|-----------------------|---------------------|
| 1    | Body (FxF)            | AISI 1018           |
| 2    | Body (MxF)            | AISI 1018           |
| 3    | Handle                | 12L14 CRS           |
| 4    | Handle Bolt           | SHCS Zinc Plated    |
| 5    | Bonnet Cover          | Polyethylene        |
| 6    | Bonnet                | 12L14 CRS           |
| 7    | Bonnet O-Ring         | Buna-N              |
| 8    | Stem                  | 316 Stainless Steel |
| 9    | Stem Back-up Ring     | Buna-N              |
| 10   | Stem O-Ring           | Buna-N              |
| 11   | Bonnet Locking Shroud | 304 Stainless Steel |

Diagram A (M x F)

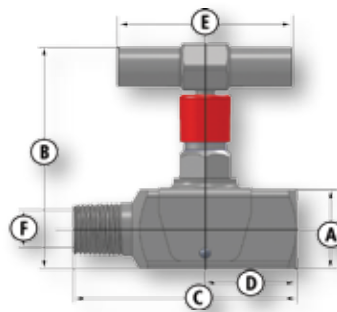
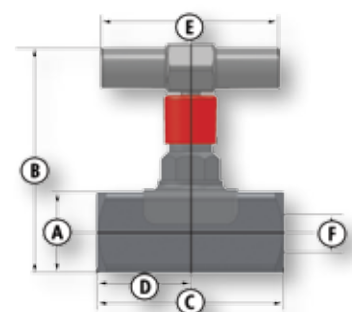


Diagram B (F x F)



### Dimensional Data

| SIZE | CATALOG NUMBER | SEAT  | DIAGRAM | A    | B    | C    | D    | E    | F    | LBS. |
|------|----------------|-------|---------|------|------|------|------|------|------|------|
|      | CARBON STEEL   |       |         |      |      |      |      |      |      |      |
| .25  | N203-MF        | Metal | A       | 1.25 | 3.87 | 3.25 | 1.37 | 2.62 | .219 | 1.5  |
| .50  | N403-MF        | Metal | A       | 1.25 | 3.87 | 3.37 | 1.37 | 2.62 | .219 | 1.5  |
| .50  | N403-FF        | Metal | B       | 1.25 | 3.87 | 2.75 | 1.37 | 2.62 | .219 | 1.5  |