

80-100 SERIES

Bronze LP-Gas Ball Valve

Female NPT Thread, 600 CWP (psig), Cold Non-Shock. 250 psig LP-Gas.
150 psig Saturated Steam.
Vacuum Service to 29 inches Hg.
MSS SP-110 compliant.



FEATURES

- UL Listed for LP-Gas, natural gas, flammable liquid and heated oil
- Large ports to reduce pressure drop
- Reinforced seats
- Blow-out-proof stem design
- Adjustable packing gland
- Two piece bronze body

UL LISTINGS

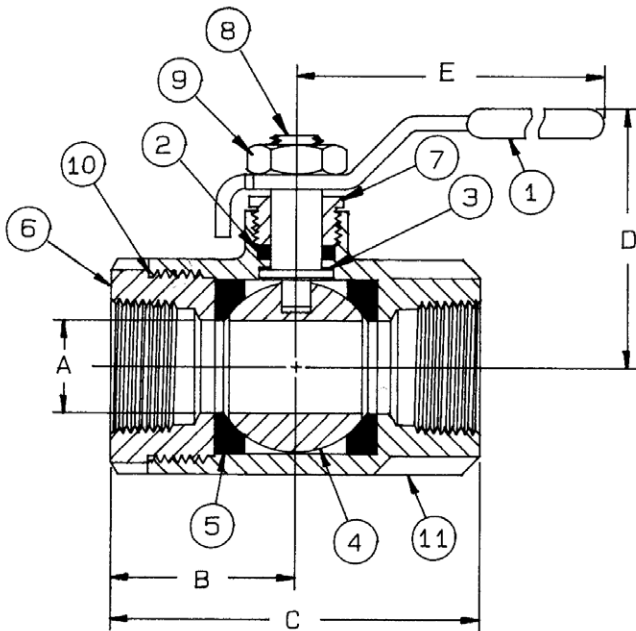
- Guide YSDT: LP-Gas shut-off valve.
- Guide YRPV: Gas shut-off valve for use with natural and manufactured gases.
- Guide YRBX: Flammable liquid shutoff valve.
- Guide MHKZ: No. 6 oil at 250°F.

OPTIONS AVAILABLE: (More information in Section J)

(SUFFIX)	OPTION	SIZES
-01	Standard Configuration	All
-07-	Tee Handle, Steel	1/4" to 3"
-27-	SS Latch-Lock Lever & Nut	1/4" to 3"

STANDARD MATERIAL LIST

	PART	MATERIAL
1	Lever and grip	Steel, zinc plated w/vinyl
2	Stem packing	RPTFE
3	Stem bearing	RPTFE
4	Ball	B16, chrome plated
5	Seat (2)	RPTFE
6	Retainer	B16 or B584-C84400
7	Gland nut	B16
8	Stem	B16
9	Lever nut	Steel, zinc plated
10	Seal	PTFE (1.25" to 3")
11	Body	B584-C84400



Note: 250 psig Max. UL Listing.

PRODUCT NUMBER	SIZE	A	B	C	D	E	WT.
80-101-01	1/4"	0.37	1.03	2.06	1.75	3.87	0.60
80-102-01	3/8"	0.37	1.03	2.06	1.75	3.87	0.56
80-103-01	1/2"	0.50	1.12	2.25	1.81	3.87	0.63
80-104-01	3/4"	0.68	1.50	3.00	2.12	4.87	1.39
80-105-01	1"	0.87	1.68	3.37	2.25	4.87	1.72
80-106-01	1.25"	1.00	2.00	4.00	2.62	5.50	3.26
80-107-01	1.5"	1.25	2.18	4.37	2.87	5.50	4.57
80-108-01	2"	1.50	2.34	4.68	3.06	5.50	5.56
80-109-01	2.5"	2.50	3.25	6.50	4.12	8.00	17.25
80-100-01	3"	2.50	3.37	6.75	4.12	8.00	18.60

FOR PRESSURE/TEMPERATURE RATINGS, REFER TO PAGE M-10, GRAPH NO. 4

