

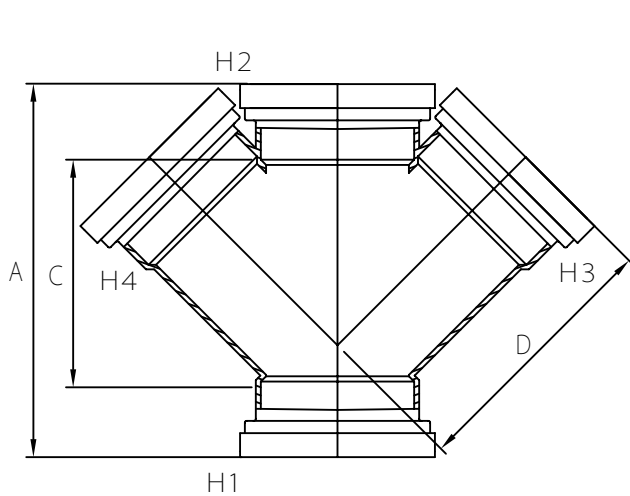


MULTI FITTINGS

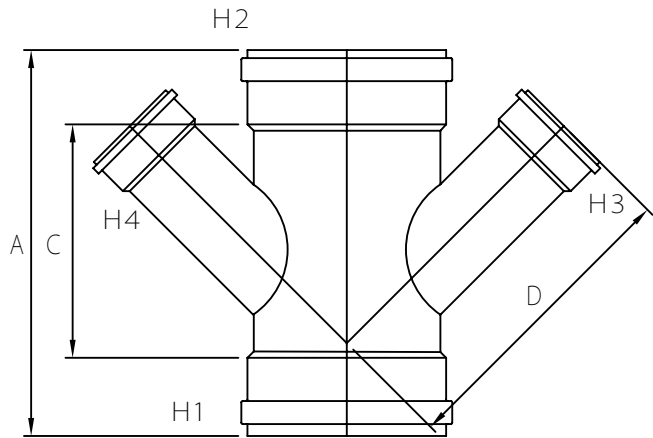
LAYING LENGTH

ISSUE DATE: OCT 30/17
SUPERCEDES: MAR 11/05

DOUBLE 45° WYE (GxGxGxG)



INJECTION MOLDED FITTING (M)



FABRICATED FITTING (F)

	SIZE H1xH2xH3xH4	PART NUMBER	A REF	C REF	D REF
P	4x4x4x4	043780	-	-	-
M =	6x6x4x4	043254	12.125	6.375	8.875
M =	6x6x6x6	043255	14.875	9.000	10.750
F @	8x8x4x4	043258	-	-	-
F @	8x8x6x6	043469	30.000	22.000	17.500
++F @	8x8x8x8	043260	30.000	22.000	19.000
F @	10x10x4x4	043485	-	-	-
F @	10x10x6x6	043251	30.000	20.375	18.000
F @	10x10x8x8	043541	-	-	-
F @	10x10x10x10	043791	-	-	-
F @	12x12x4x4	043245	-	-	-
F @	12x12x6x6	043097	-	-	-
F @	12x12x8x8	043248	34.000	23.500	20.000
F @	12x12x10x10	043792	-	-	-
++F @	12x12x12x12	043250	38.000	27.500	25.500
F @	15x15x8x8	043765	-	-	-
F @	15x15x10x10	043180	-	-	-
F @	15x15x12x12	043026	-	-	-
F @	15x15x15x15	043253	-	-	-
P	18x18x6x6	043994	-	-	-

Note: = Refer to Page G4 for Hub Detail, Type A
 @ Refer to Page G5 for Hub Detail, Fabricated
 ++ FRP Reinforced