



T&S BRASS AND BRONZE WORKS, INC.

2 Saddleback Cove / P.O. Box 1088
Travelers Rest, SC 29690



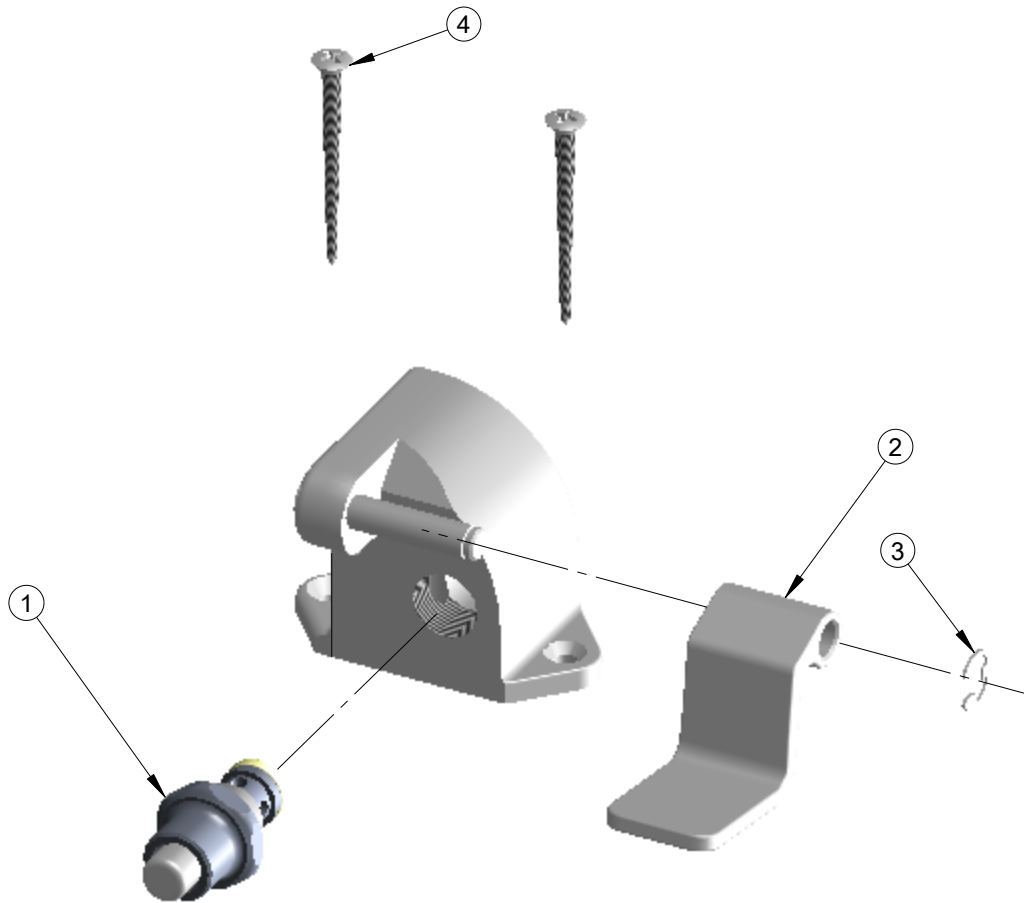
REG. #A2601
ISO #9001

Model No.
B-0507

Item No.

Travelers Rest, SC: 800-476-4103 Simi Valley, CA: 800-423-0150 Fax: 864-834-3518 www.tsbrass.com

ITEM	PART NO.	DESCRIPTION
1	005312-40	Bonnet Asm
2	000090-25	Foot Pedal
3	012512-45	Retaining Ring
4	003749-45	Foot Pedal Mtg. Screw



Product Specifications:

Single Foot Pedal Valve w/ 1/2" NPT
Female Inlet & Outlet

Drawn
WJS

Checked
JRM

Approved
JHB

Scale:

1:2

Date:

12/04/06