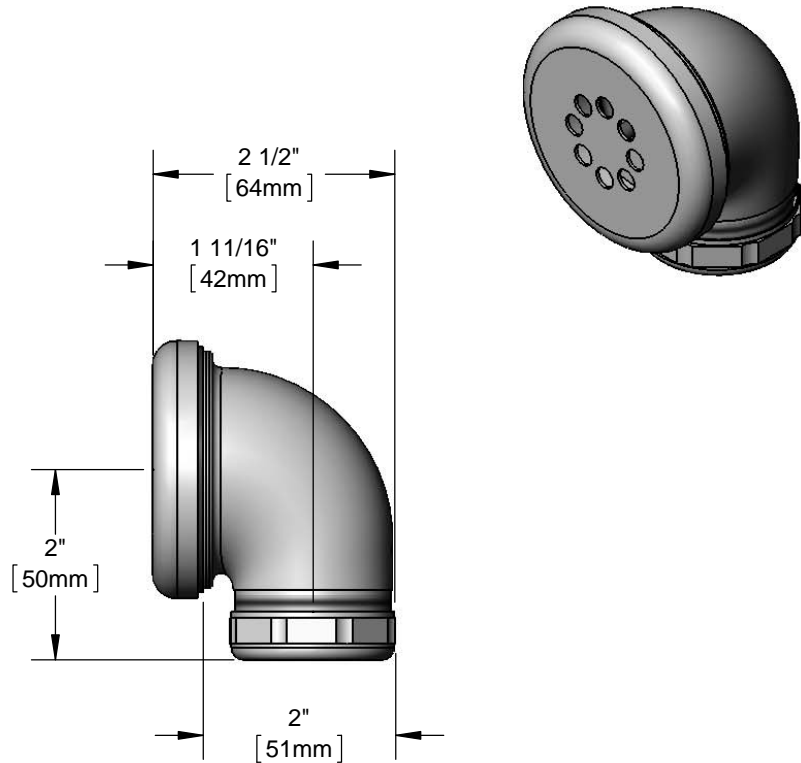
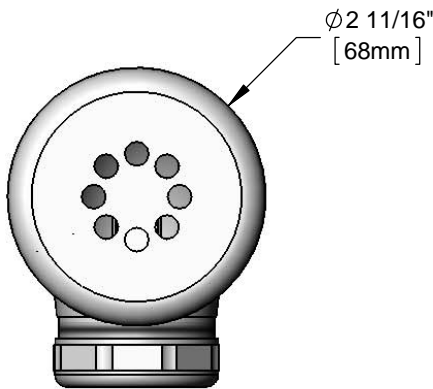




**Architect/Engineering Specifications:**

Waste drain overflow head.

Job Name _____
Model Specified _____ Quantity _____
Variations Specified _____
Date _____



**Features & Benefits:**

- Waste drain overflow head
- Material: Chrome plated brass

**Product Compliance:**

- N/A

**Warranty:** One Year (Limited)

**Performance Data:**

- N/A

