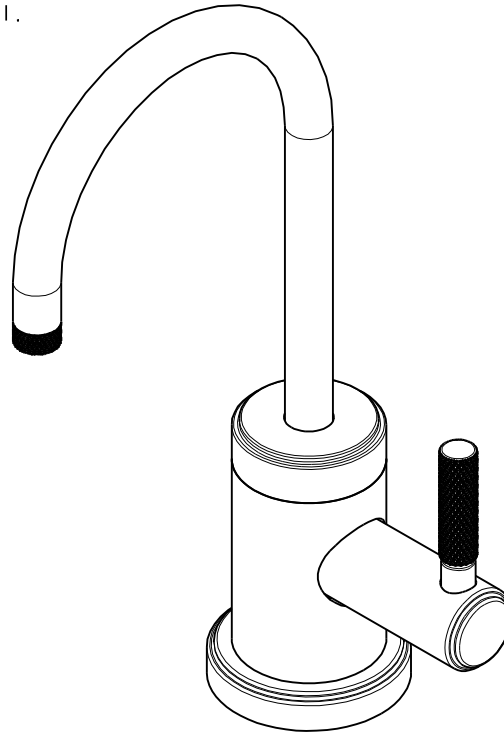


NOTES:

1. TO INSPECT ASSEMBLY, FOLLOW FIRST ARTICLE AND IN PROCESS INSPECTION SHEET.
2. APPLY LOCTITE 680.
3. SLIT AND SHORTEN O-RING BY .13" TO .20" IN LENGTH BEFORE INSTALLING.
4. SLIT O-RING BEFORE INSTALLING.
5. INSTALLATION TORQUE: 8 -14 LB-FT.
6. WATER TEST WHOLE UNIT.
7. BAG 5-007 IN A SEPARATE BAG.
8. APPLY THIN FILM OF DOW CORNING 111.
9. APPLY LOCTITE 242.



BILL OF MATERIAL (CURRENT LEVEL)

ITEM	PT/ASSY	DESCRIPTION	TYPE	QTY.
1	12693	ESCUTCHEON	PART	1
2	91768	O-RING, #2-130, EP, 50 DURO - GREY	PART	1
3	50715	WATER DISP BODY (CONT.)	PART	1
4	50717	WATER DISP SPOUT RETAINER	PART	1
5	91023	O-RING, #2- 019, EPDM, 65-75 DURO, NSF 61	PART	1
6	20-520	SPOUT ASM	ASSEMBLY	1
7	91382	O-RING, #2- 012, TEFLON,	PART	1
8	91017	O-RING, #2- 012, EPDM, 65-75 DURO, NSF 61	PART	2
9	12690	BODY CAP	PART	1
10	91383	O-RING, #2- 014, TEFLON, NSF 61	PART	1
11	50714	WATER DISP. CAR.T HOLDER	PART	1
12	12694	HANDLE HUB	PART	1
13	1-134	CARTR 3/8 HOT 1/4 TR	PART	1
14	12750	ADAPTER	PART	1
15	92477	SCRW, M4 X 16 SKT FLT HD SS	PART	1
16	92192	SCRW, 10-32 X 5/8 SKT HD CUP PT SS	PART	1
17	50760	NIPPLE WATER DISP	PART	1
18	5-007	1/4 COMP KIT	ASSEMBLY	1
19	10661	MOUNTING STUD	PART	1
20	91063	MOUNTING CRESCENT GASKET	PART	1
21	10514	MOUNTING CRESCENT	PART	1
22	10516	MOUNTING NUT	PART	1
23	91424	WSHR, .81 ID X .93 OD X .045 THK, FLT, PLST	PART	1
24	13358	WATER DISP LEVER	PART	1

UNITS ARE: INCHES [MM]
 TOLERANCES ARE:
 FRACTIONS DECIMALS ANGLES
 ±1/16" .X ±.1 [2.5] ±°
 .XX ±.06 [1.5]

(X.XXX) DENOTES CRITICAL DIMS.
 ALL THREADS ARE CRITICAL

DRAWN JINSON 04/12/21
 CHECKED R.S. 04/12/21
 APPROVED R.S. 04/12/21

BRASSTECH 2001 CARNEGIE AVE.
 INCORPORATED SANTA ANA, CA 92705
 (949) 417-5207

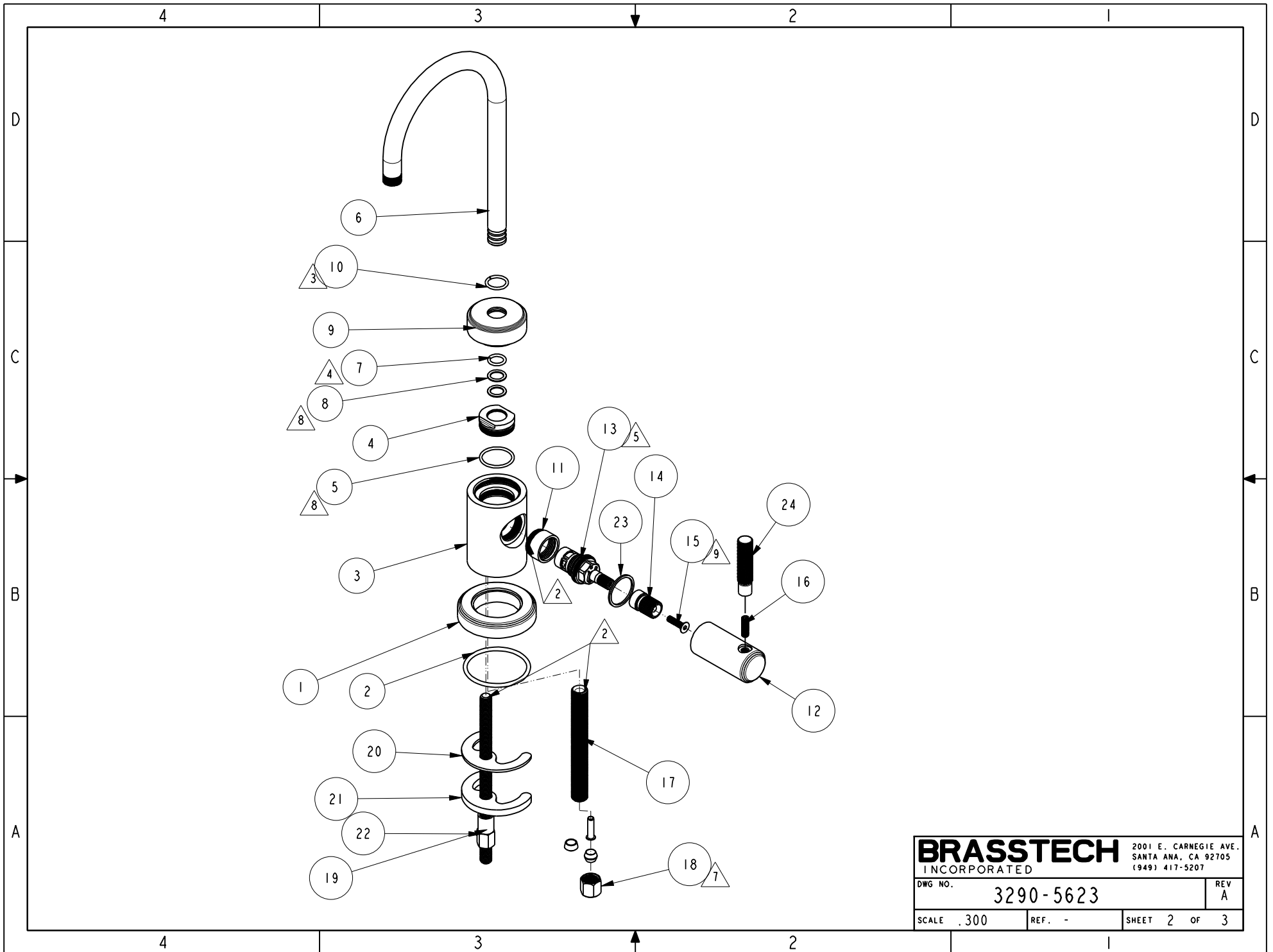
WATER DISPENSER - COLD

DWG NO. 3290-5623 REV A
 SCALE .500 REF. - SHEET 1 OF 3

COPYRIGHT 2005 BRASSTECH, INC.
 THESE DRAWINGS AND THE DESIGNS
 DEPICTED HEREIN ARE THE PROPRIETARY
 PROPERTY OF BRASSTECH. ANY USE
 OR REPRODUCTION IS SUBJECT TO
 THE EXPRESS APPROVAL OF BRASSTECH.
 UNAUTHORIZED USE IS STRICTLY
 PROHIBITED. ALL RIGHTS RESERVED.

TESTING	-	-	-
ASSEMBLY	-	-	-
PLATING	-	-	-
POLISHING	-	NEXT ASSY	USED ON
MACHINING	-	APPLICATION	
TOOLING FIXTURE #	REMOVE ALL BURRS AND SHARP EDGES		

ZONE	REV	DESCRIPTION	DATE	APPROVED
-	A	EN-4300jj	04/12/21	R.S.
-	-	EN-3881a	11/04/19	J.M.



BRASSTECH		2001 E. CARNEGIE AVE. SANTA ANA, CA 92705 (949) 417-5207
DWG NO.	3290-5623	REV A
SCALE .300	REF. -	SHEET 2 OF 3

