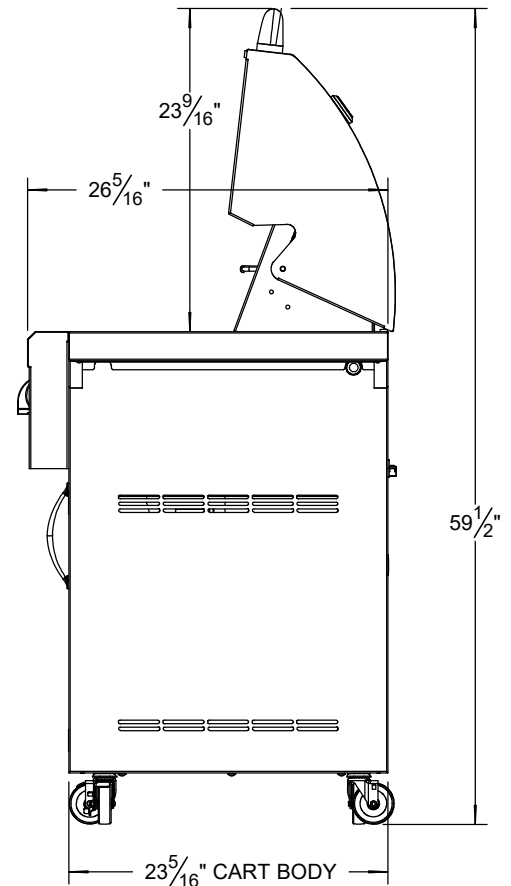
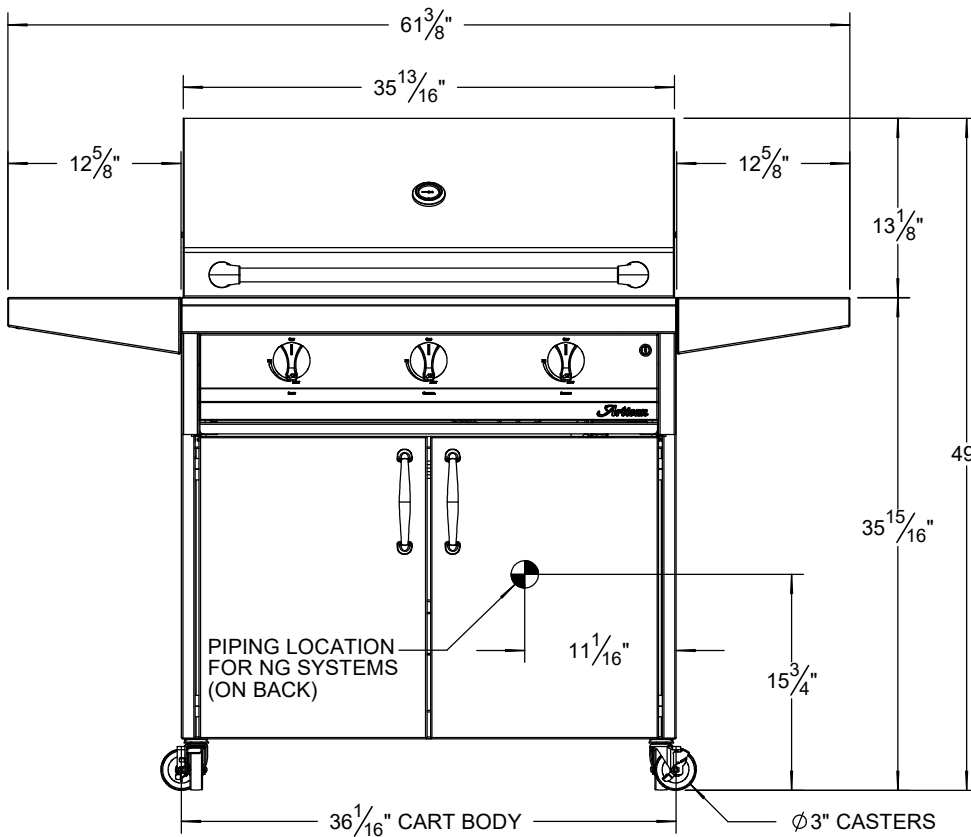


SPECIFICATIONS:

BTUH: 75,000
 FUEL: NG @ 5" W.C. OR LP @ 10" W.C.
 ELECTRICAL POWER: 9 VDC IGNITION SYSTEM
 GAS CONNECTION: 1/2" NPT (NG) OR 3/8" ODF (LP)



Artisan

SUPERIOR EQUIPMENT SOLUTIONS
 1085 Bixby Drive
 Industry, CA 91745

THE INFORMATION CONTAINED IN THIS DRAWING IS THE SOLE PROPERTY OF SUPERIOR EQUIPMENT SOLUTIONS INC. ANY REPRODUCTION IN PART OR AS A WHOLE WITHOUT WRITTEN PERMISSION FROM SUPERIOR EQUIPMENT SOLUTIONS, INC. IS PROHIBITED.

DRAWN BY: Jorge Pelayo
CREATED: November 25, 2019

PROJECT TITLE:
ARTISAN GRILLS

DRAWING TITLE:

DRAWING NO.:
AAEP-36C SPEC SHEET