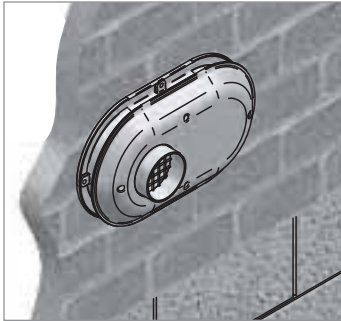


System 1738® Low Profile Side Wall Termination Kit Installation Instructions

Refer to the appliance manufacturer's installation instructions to ensure that the low profile side wall termination kit is permitted for use. The IPEX Low Profile side wall termination kit is fully certified for use with IPEX System1738 product only.



System1738 PVC Low Profile vent kits are made from a UL1738 certified PVC compound and are rated to a maximum temperature of 149°F.

The vent termination must maintain all termination clearances and be installed in accordance with local building code and NFPA 54 / ANSI Z223.1 National Fuel Gas Code. (see Figure 1)

Installation Procedure

1. When locating the penetration of the vent and air pipe, ensure the termination is properly oriented as shown in Figure 2 and ensure that it maintains minimum clearance requirements as shown in Figure 1. For multiple vent terminations, ensure that a minimum clearance of 12 inches is maintained between edge of air inlet and adjacent vent outlet and that all vent pipes and air inlets terminate at the same height to avoid the recirculation of flue gases and the possibility of causing severe personal injury, death, or substantial property damage. (see Figure 4)
2. When installing the vent termination in a vertical configuration, ensure the vent piping is located above the air inlet piping. This will avoid the risk of flue gas products recirculating into the air inlet and building. (see Figure 2).

Each Kit Contains:

Qty	Item Description
1	Base (two holes)
1	Cap (one hole)
8	Stainless Steel Screws
4	Plastic Anchors

Refer to Figure 3 for side wall termination assembly

Low Profile Termination Kits Dimensions

Item #	Flush Mount Vent Kit Size (inches)	Pipe O.D.	Hole Spacing (ctr to ctr)
397984	2	2.375"	5.6"
397985	3	3.5"	5.6"
397986	4	4.5"	5.6"

3. Once the installer has determined the termination location, cut 2 holes in the wall large enough to accommodate the pipe. Pipe diameters and distance between hole centers can be found in the Table above.
4. Slide both the intake and vent pipe through the holes. Solvent weld both pipes to the Base of the vent termination kit (see Figure 1) following the solvent welding procedures outlined in the System1738 Installation Methods Guide found at system1738.com.
5. To fasten the Base to the wall, use the supplied screws and anchors. A 3/16" diameter x 1-3/16" deep hole, will need to be drilled for the anchors. Locate and mark the anchor hole using the Base as a template and then drill the required holes.
6. Screw the Cap to the Base using the supplied screws.
7. Once the vent termination and pipe are secured, the wall penetrations will need to be sealed from the interior using a PVC-compatible sealant material.



Figure 1: Typical Side Wall Termination

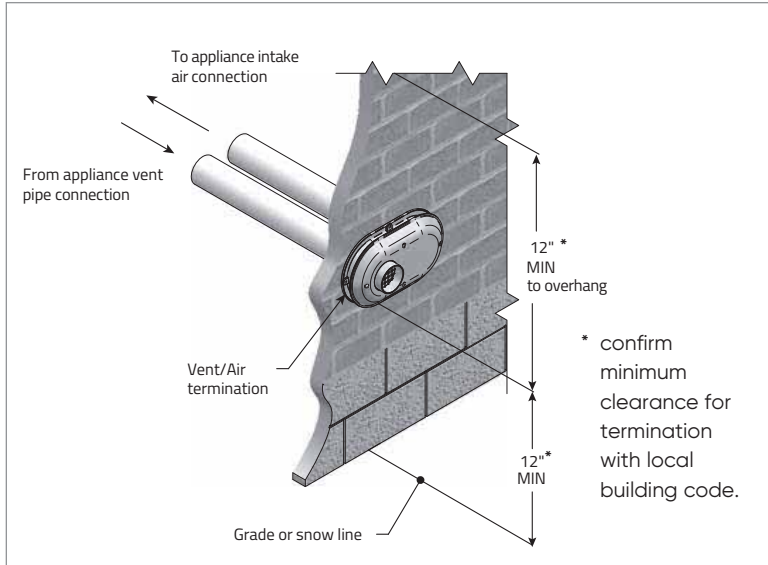


Figure 2: Approved Installation Orientation

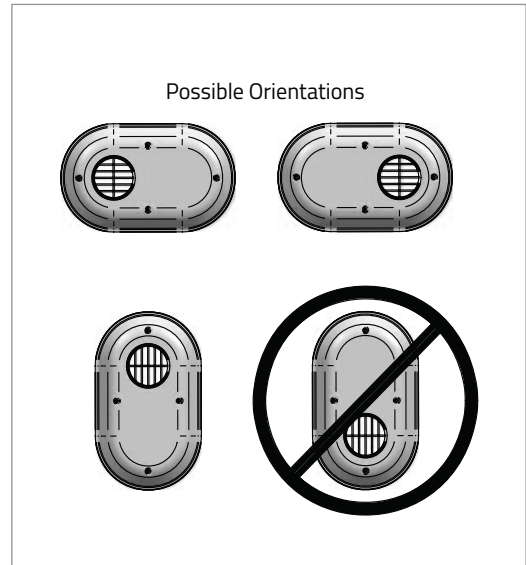


Figure 3: Sidewall Termination Assembly

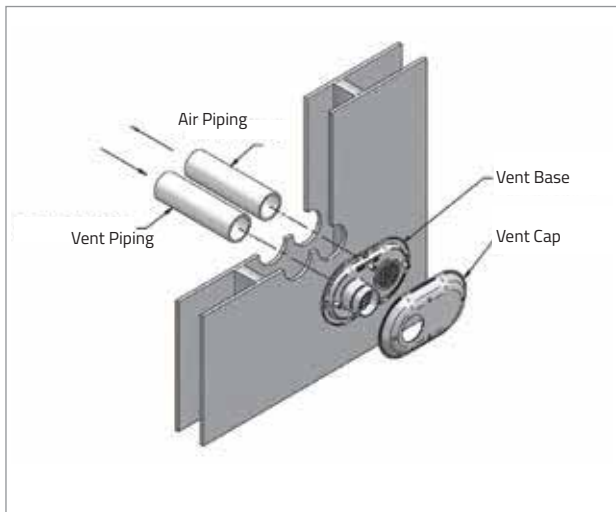


Figure 4: Minimum Clearances: Multiple Side Wall Terminations

