

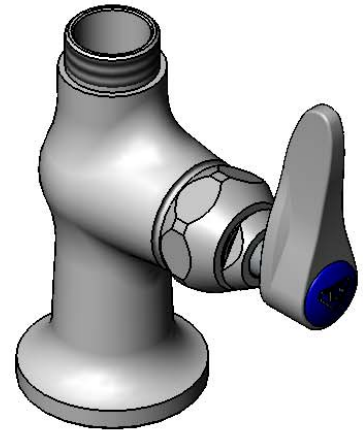
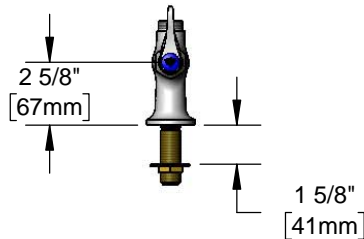
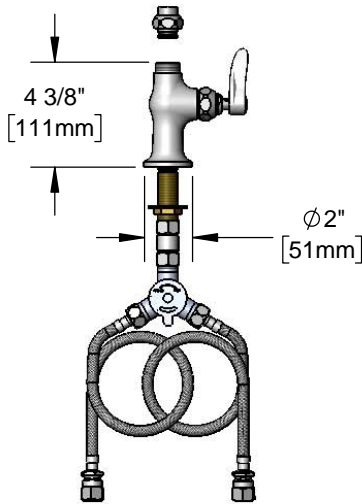


# Single Temperature Deck Mount Faucet

### Architect/Engineering Specifications:

Single hole single temperature deck mount faucet with polished chrome plated brass body, swivel outlet (less nozzle), compression cartridge with spring check, lever handle, temperature control mixing valve with integral check valves, and 18" flexible stainless steel supply hoses w/ 1/2" NPSM / 5/8" O.D. compression connections. Certified to ASME A112.18.1/CSA B125.1, NSF 61-Section 9 and NSF 372. Meets ADA ANSI/ICC A117.1 requirements.

Job Name \_\_\_\_\_  
 Model Specified \_\_\_\_\_ Quantity \_\_\_\_\_  
 Variations Specified \_\_\_\_\_  
 Date \_\_\_\_\_



### Features & Benefits:

- Single hole, single temperature deck mount faucet w/ polished chrome plated brass body
- Swivel outlet accepts T&S swing nozzles and EasyInstall risers
- Includes EZ-K kit to convert rigid risers to EasyInstall
- Quarter-turn Eterna compression cartridges with spring checks
- Lever handle w/ color coded index
- Temperature control mixing valve w/ integral check valves
- 18" flexible stainless steel supply hoses w/ 1/2" NPSM / 5/8" OD compression connections
- Material: Polished chrome plated brass body and chrome plated metal handle

### Product Compliance:

- ASME A112.18.1 / CSA B125.1
- NSF 61 - Section 9
- NSF 372 (Low Lead Content)
- 

**Warranty:** One Year (Limited)

### Performance Data:

- Pressure: 20 - 125 psi
  - Temperature: 40 °F - 140 °F
  - Flow Rate: 5.61 GPM @ 60 psi
- (Outlet Device &/or Final Configuration May Reduce Flow Rate)



ADA Compliant

### Optional Handles

- 4" Wrist Action
- Lever (Standard)
- 4-Arm

### Optional Cartridges

- Quarter-Turn Cerama w/ Check Valve
- Quarter-Turn Eterna w/ Spring Check (Standard)

