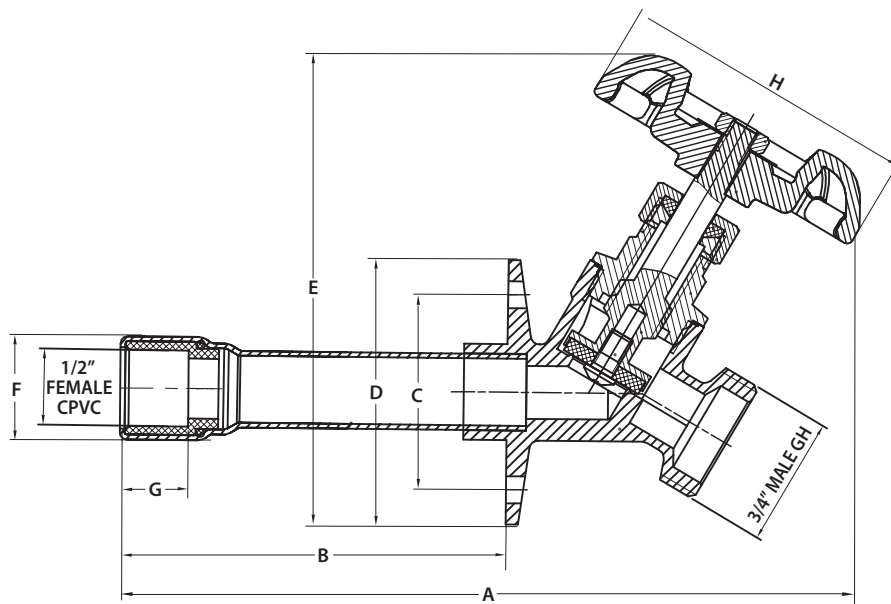


1/2" SILLCOCK WITH CPVC CONNECTION



- Rugged brass sillcock connects directly to CPVC piping system
- Forged valve body
- Convenient CPVC socket connection
- Standard 3/4" garden hose connection
- Certified by IAPMO to NSF/ANSI 14-2012
- Certified by IAPMO to ASME A112.18.1-2018 / CSA B125.1-18



Part No.	A	B	C	D	E	F	G	H
B59200	4.48"	1.68"	1.61"	2.17"	3.81"	0.86"	0.54"	2.10"
B59201	6.25"	3.51"	1.61"	2.17"	3.81"	0.86"	0.54"	2.10"