

Product information presented here reflects conditions at time of publication. Consult factory regarding discrepancies or inconsistencies.



MAIL TO: P.O. BOX 16347 • Louisville, KY 40256-0347  
SHIP TO: 3649 Cane Run Road • Louisville, KY 40211-1961  
TEL: (502) 778-2731 • 1 (800) 928-PUMP • FAX: (502) 774-3624

Visit our web site:  
[zoellerpumps.com](http://zoellerpumps.com)

## REPLACEMENT PARTS LIST FOR MODELS:

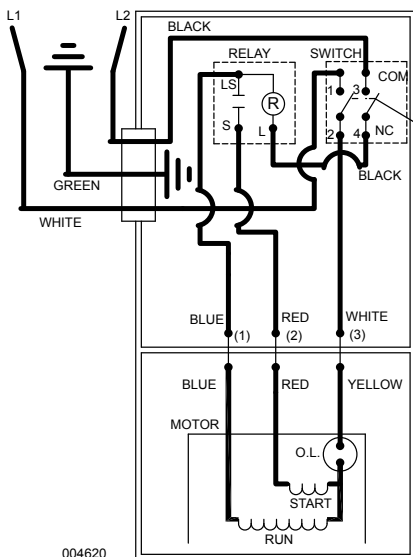
**M266 AUTOMATIC 115V**  
**D266 AUTOMATIC 230V**  
**N266 NONAUTOMATIC 115V**  
**E266 NONAUTOMATIC 230V**  
**WM266 AUTOMATIC w/wired VLFS 115V**

Consult factory for all other models.

### TO ORDER REPLACEMENT PARTS:

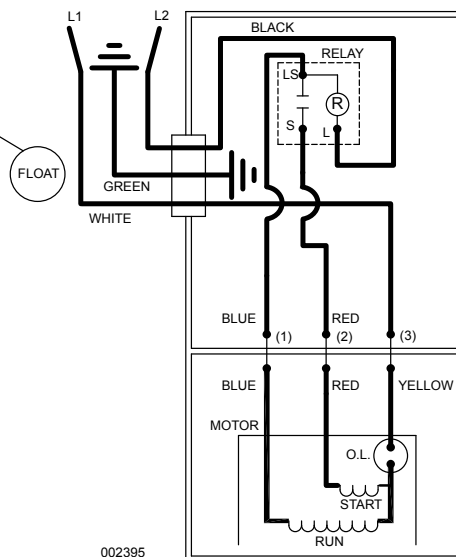
#### PLEASE FURNISH THE FOLLOWING INFORMATION:

- Model number
- Part number of pump  
(If manufactured prior to June 1988, give 2 letter date code following Model No.)
- Part number and description of part



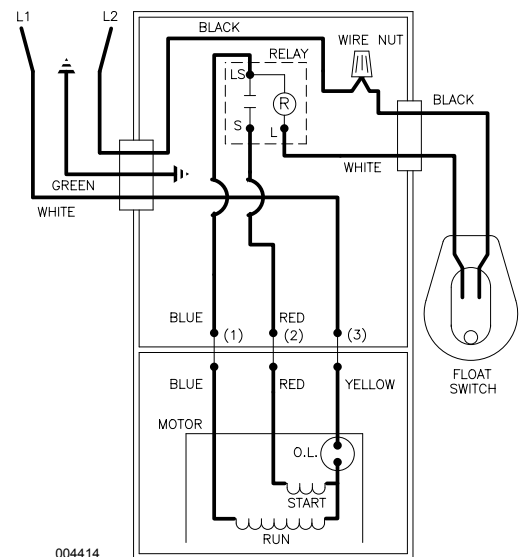
004620

WIRING DIAGRAM FOR MODELS  
"M266-A" and "M266-B"  
"D266-A" and "D266-B"  
8/87 (UT) to Current



002395

WIRING DIAGRAM FOR MODELS  
"N266-A" and "N266-B"  
"E266-A" and "E266-B"  
8/87 (UT) to Current



004414

WIRING DIAGRAM FOR MODELS  
"WM266-A", "WM266-B" and  
"WM266-C"  
8/88 (UU) to Current

# REPLACEMENT PARTS LIST FOR MODELS "M266" & "D266"

See page 4 for "M266" & "D266" illustrations.

REF. NO.	DESCRIPTION	QTY	NOTES	MODELS: M266-A		MODELS: M266-B		D266-A		D266-B	
				8/87 thru 6/91	7/91 thru Current	8/87 thru 6/91	7/91 thru Current	8/87 thru 6/91	7/91 thru Current		
1	Case & Switch Asm	1		004739	004739	004739	004739	004739	004739	004739	004739
2	• Handle	1		267032	267032	267032	267032	267032	267032	267032	267032
3	Case-Mach	1		004610	004610	004610	004610	004610	004610	004610	004610
4	• Gasket, Case/Cover	1		267007	267007	267007	267007	267007	267007	267007	267007
5	Relay Asm G5	1		002474	002474	147135	147135	147135	147135	147135	147135
6	• Wire Pkg (2) Wires	1		267014	267014	267014	267014	267014	267014	267014	267014
7	Housing, Mtr & Str GE	1	1,2	002475	002475	002476	002476	002476	002476	002476	002476
	Housing, Mtr & Str EMD	1	1,2	014797	014797	008642	008642	008642	008642	008642	008642
8	• Seal, Cord-Asm & Strain Relief	1	3	094032	094032	094032	094032	094032	094032	094032	094032
9	Cord Term & Seal Asm	1	3	094071	094071	094072	094072	094072	094072	094072	094072
10	Bearing, Upper	1		N/A	N/A	N/A	N/A	N/A	N/A	N/A	N/A
11	• Guard	1		267008	267008	267008	267008	267008	267008	267008	267008
12	• Arm & Seal Asm	1		004741	004741	004741	004741	004741	004741	004741	004741
13	Switch Asm	1		004740	004740	004740	004740	004740	004740	004740	004740
14	Float, Polypropylene	1		034019	034019	034019	034019	034019	034019	034019	034019
15	Rod, Float	1		001526	001526	001526	001526	001526	001526	001526	001526
16	Rotor Asm 115/230V/1Ph GE	1	2	267005	267005	267005	267005	267005	267005	267005	267005
	Rotor Asm 115/230V/1Ph EMD	1	2	004021	004021	004021	004021	004021	004021	004021	004021
17	• Seal, Mtr Hsg	1		267006	267006	267006	267006	267006	267006	267006	267006
18	• Washer, Trst-Nyl. 875X.504X.050"	1		002140	002140	002140	002140	002140	002140	002140	002140
19	Housing, Pump-Mach	1		003877	003877	003877	003877	003877	003877	003877	003877
20	• Seal Asm, Shaft	1		267027	267027	267027	267027	267027	267027	267027	267027
21	Impeller "266"	1		003884	150857	003884	150857	003884	150857	003884	150857
22	• Seal, O-Ring			005701	005701	005701	005701	005701	005701	005701	005701
23	Base, Molded	1		005199	005199	005199	005199	005199	005199	005199	005199
24	Guide Asm, Flt Rod	1		005454	005454	005454	005454	005454	005454	005454	005454
25	• Oil, Dielectric (24.5 Oz)	1		267056	267056	267056	267056	267056	267056	267056	267056
26	• Seal, Thru Wall Term	3		003402	003402	003402	003402	003402	003402	003402	003402
27	• Plug, Test-White	2		034090	034090	034090	034090	034090	034090	034090	034090
28	• Clamp, Strain Relief	1	3, 6	N/A	N/A	N/A	N/A	N/A	N/A	N/A	N/A
29	• Screw, .25-20 X .75 HHm-SS	4		001916	001916	001916	001916	001916	001916	001916	001916
30	• Screw, #10-24 X.375 RHM-SI SS	2		001883	001883	001883	001883	001883	001883	001883	001883
31	• Screw, #6-32x.438Rhsltp"1"Stizi	2		004644	004644	004644	004644	004644	004644	004644	004644
32	• Screw, #6-32x.25RHM SI Tc Stlgr	3		001877	001877	001877	001877	001877	001877	001877	001877
33	• Screw, #10-10x1-Unsltd Hex Wash	10		005326	005326	005326	005326	005326	005326	005326	005326
34	• Sem, 10-12x5HH-SlShmt ScTp A	1		003229	003229	003229	003229	003229	003229	003229	003229
35	• Screw, .25-20 X .875 HH SS	4		012491	012491	012491	012491	012491	012491	012491	012491
▣	Rebuild Kit			004743	004743	004743	004743	004743	004743	004743	004743

• Items included in Rebuild Kit.

▣ Not shown in illustration.

## NOTES:

- 1) Mtr. Hsg., Brg., Stator & Term (Item 7) are preassembled at the factory and must be replaced as a unit. Stator is permanently attached to the Motor Housing. Plug (Item 27); Seal, Thru Wall Term. (Item 26) and Bearing - Upper (Item 10) are replaceable.
- 2) When ordering Motor Housing, Bearing, Stator and Term. (Item 7) or Rotor (Item 16) specify either GE or Emerson motor. GE motor can be identified by (4) half oval slots spaced at 90° around the outside diameter of the stator. Emerson motor can be identified by (2) half oval slots spaced at 180° around the outside diameter of the stator.
- 3) If an "X" follows Model No., or Date Mfg. on brass ID tag, consult factory for ordering any parts.
- 4) See FM0160 Parts Price Sheet for listing of parts prices.
- 5) "NA" indicates, not applicable.
- 6) Clamp, Strain Relief (Item 28) is not sold separately, must order Seal, Cord Asm (Item 8).

# REPLACEMENT PARTS LIST FOR MODELS "N266" & "E266"

See page 4 for "N266" & "E266" illustrations.

REF. NO.	DESCRIPTION	QTY	NOTES	MODELS: N266-A			
				N266-B	E266-A	E266-B	
				8/87 UT thru 6/91	7/91 thru Current	8/87 UT thru 6/91	7/91 thru Current
1	Cover & Handle Asm	1		267051	267051	267051	267051
2	• Handle	1		267032	267032	267032	267032
3	Cover, Mach	1		267052	267052	267052	267052
4	Retainer, HdI-Na	1		267053	267053	267053	267053
5	• Gasket, Case/Cover	1		267007	267007	267007	267007
6	Relay Asm G5	1		002474	002474	147135	147135
7	• Wire Pkg (2) Wires	1		267014	267014	267014	267014
8	Housing, Mtr & Str GE	1	1,2	002475	002475	002476	002476
	Housing, Mtr & Str EMD	1	1,2	014797	014797	008642	008642
9	Cord Term & Seal	1	3	153878	153878	153879	153879
10	• Seal, Cord-Asm & Strain Relief	1	3	094032	094032	094032	094032
11	Bearing, Upper	1		N/A	N/A	N/A	N/A
12	Rotor Asm 115/230V/1Ph GE	1	2	267005	267005	267005	267005
	Rotor Asm 115/230V/1Ph EMD	1	2	004021	004021	004021	004021
13	• Seal, Mtr Hsg	1		267006	267006	267006	267006
14	• Washer, Trst-Nyl.875X.504X.050"	1		002140	002140	002140	002140
15	Housing, Pump-Mach	1		003877	003877	003877	003877
16	• Oil, Dielectric (24.5 Oz)	1		267056	267056	267056	267056
17	• Seal Asm, Shaft	1		267027	267027	267027	267027
18	Impeller "266"	1		003884	150857	003884	150857
19	• Seal, O-Ring-.093 X 34+/- .50"	1		005701	005701	005701	005701
20	Base, Molded	1		005199	005199	005199	005199
21	• Seal, Thru Wall Term	3		003402	003402	003402	003402
22	• Plug, Test-White	2		034090	034090	034090	034090
23	• Clamp, Strain Relief	1	6	N/A	N/A	N/A	N/A
24	• Screw, .25-20 X .75 HHm-SS	4		001916	001916	001916	001916
25	• Screw, #10-24 X.375 RHM-SI SS	2		001883	001883	001883	001883
26	• Screw, #6-32x.25RHM SI Tc Stlgr	3		001877	001877	001877	001877
27	• Screw, #10-10x1-Unstd Hex Wash	10		005326	005326	005326	005326
28	Screw, 1/4-20x.875 HH SS	4		012491	012491	012491	012491
▣	Rebuild Kit			004743	004743	004743	004743

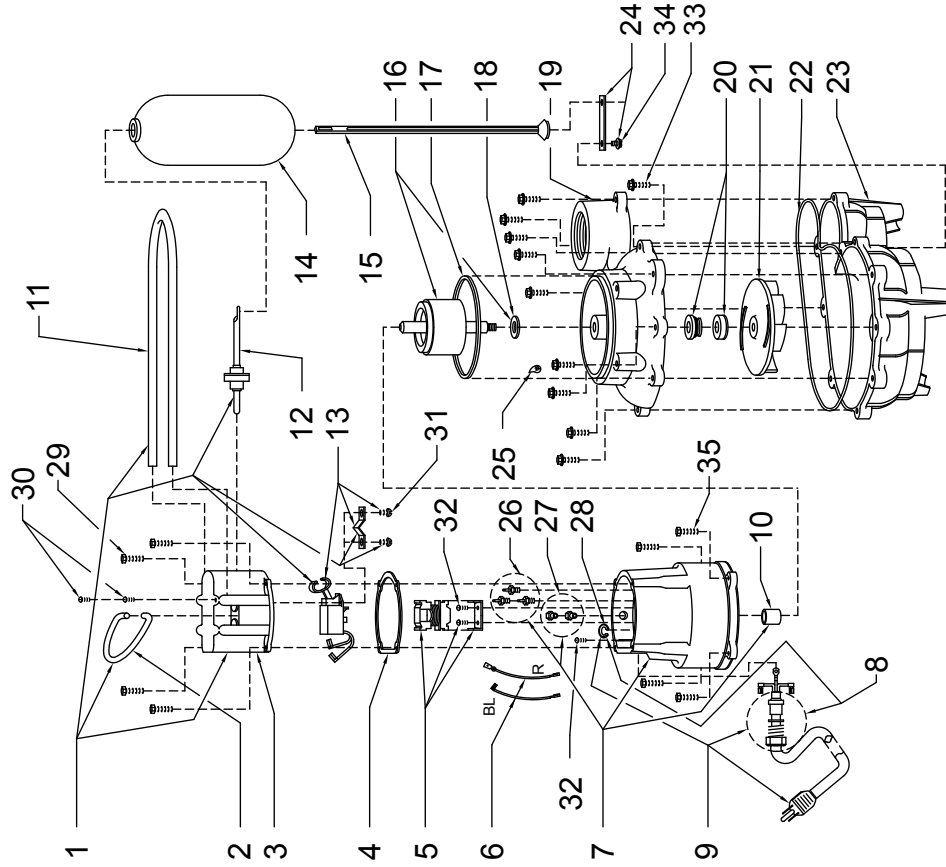
• Items included in Rebuild Kit.

▣ Not shown in illustration.

## NOTES:

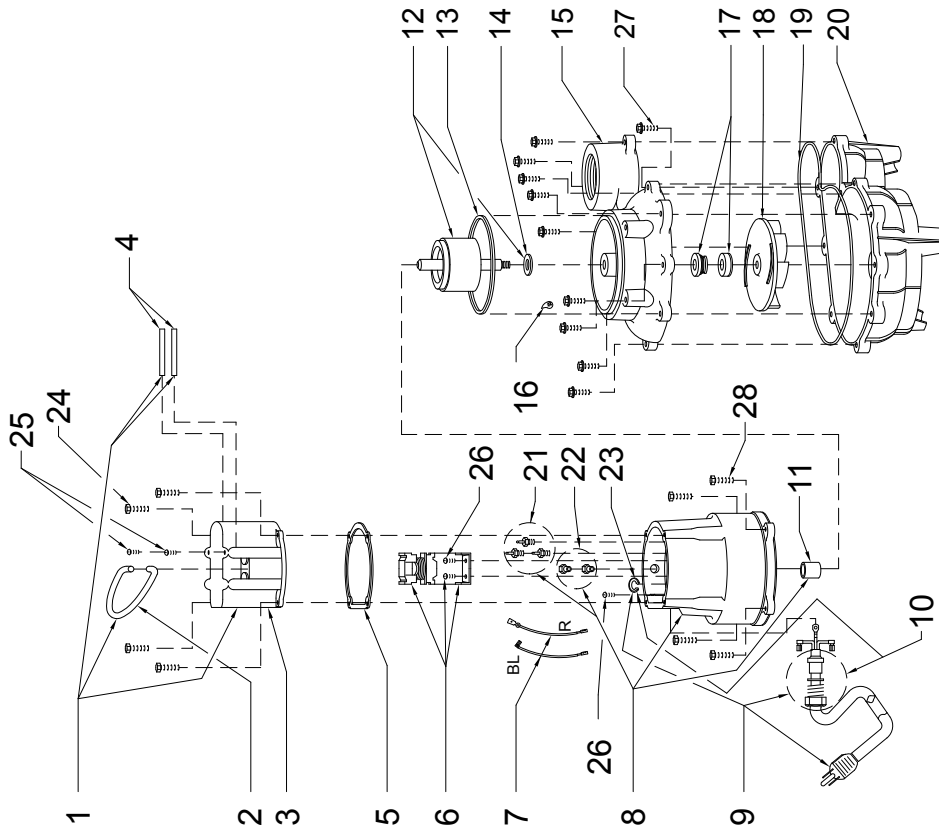
- 1) Mtr. Hsg., Brg., Stator & Term (Item 8) are preassembled at the factory and must be replaced as a unit. Stator is permanently attached to the Motor Housing. Plug (Item 22); Seal, Thru Wall Term. (Item 21) and Bearing - Upper (Item 11) are replaceable.
- 2) When ordering Motor Housing, Bearing, Stator and Term. (Item 8) or Rotor (Item 12) specify either GE or Emerson motor. GE motor can be identified by (4) half oval slots spaced at 90° around the outside diameter of the stator. Emerson motor can be identified by (2) half oval slots spaced at 180° around the outside diameter of the stator.
- 3) If an "X" follows Model No., or Date Mfg. on brass ID tag, consult factory for ordering any parts.
- 4) See FM0160 Parts Price Sheet for listing of parts prices.
- 5) "NA" indicates, not applicable.
- 6) Clamp, Strain Relief (Item 23) is not sold separately, must order Seal, Cord Asm (Item 10).

REPLACEMENT PARTS ILLUSTRATION FOR MODELS "M266" AND "D266"



SK795

REPLACEMENT PARTS ILLUSTRATION FOR MODEL "N266" AND "E266"



SK919

# REPLACEMENT PARTS LIST FOR MODELS "WM266"

See page 6 for "WM266" illustration.

MODELS: WM266-A WM266-B WM266-C						
REF. NO.	DESCRIPTION	QTY	NOTES	8/87 UT thru 6/91	7/91 thru 3/96	4/96 thru Current
1	Cover & Handle Asm	1		267051	267051	267051
2	• Handle	1		267032	267032	267032
3	Cover, Mach	1		267052	267052	267052
4	• Retainer, HdI-Na	1		267053	267053	267053
5	• Gasket, Case/Cover	1		267007	267007	267007
6	Relay Asm 115V/G5	1		002474	002474	002474
7	• Wire Pkg (2) Wires	1		267014	267014	267014
8	Housing, Mtr & Str 115V/1Ph GE	1	1,2	004672	004672	004672
	Housing, Mtr & Str 115V/1Ph EMD	1	1,2	015451	015451	015451
9	Cord Term & Seal	1	3	153878	153878	153878
10	• Seal, Cord-Asm & Strain Relief	1		094032	094032	094032
11	Bearing, Upper	1		N/A	N/A	N/A
12	Rotor Asm 115/230V/1Ph GE	1	2	267005	267005	267005
	Rotor Asm 115/230V/1Ph EMD	1	2	004021	004021	004021
13	• Seal, Mtr Hsg	1		267006	267006	267006
14	• Washer, Trst-Nyl. 875X.504X.050"	1		002140	002140	002140
15	Housing, Pump-Mach	1		003877	003877	003877
16	• Oil, Dielectric (24.5 Oz )	1		267056	267056	267056
17	• Seal Asm, Shaft	1		267027	267027	267027
18	Impeller "266"	1		003884	150857	150857
19	Base, Mach "266"	1		008646	008646	005199
20	• Seal, Thru Wall Term	3		003402	003402	003402
21	• Plug, Test-White	2		034090	034090	034090
22	Clamp, Cable-Nylon	1		004413	004413	NA
23	• Seal, Cord-Asm & Strain Relief	1		094032	094032	NA
24	Switch, Mf-Asm "WM266 QJ"	1		009630	009630	NA
25	Seal, Cord-Asm "WM266 QJ"	1		004486	004486	NA
26	Connector, Wirenut	1		001776	001776	001776
27	• Screw, .25-20 X .75 HHm-SS	4		001916	001916	001916
28	• Screw, #10-24 X.375 RHM-SI SS	3		001883	001883	001883
29	• Screw, #6-32x.25RHM SI Tc Stlgr	3		001877	001877	001877
30	Screw, #10-10 X 1 - UNSLTD HEX	10		NA	NA	005326
31	Seal, O-Ring	1		NA	NA	005701
32	Switch, Flt & Btk Asm	1		NA	NA	010700
33	Switch, Vert. Flt & Seal	1		NA	NA	009631
34	Clamp, #40HS Worm-SS	1		NA	NA	004304
35	Seal, Cord Asm	1		NA	NA	004486
36	Clamp, Strain Relief	1		NA	NA	001770
37	Rod, Float	1	6	NA	NA	009118
38	Float Rod Retaining Pin	1		NA	NA	009121
39	Float Rod Stop	2		NA	NA	009120
40	Float, Mech Switch	1		NA	NA	009119
41	Bracket, Switch Mtg.	1		NA	NA	009117
42	Grommet, Guide	1		NA	NA	003052
43	Screw, #8-32 X .625"	2		NA	NA	009111
44	Screw, 1/4-20x.875 HH SS	4		012491	012491	012491
□	Rebuild Kit			004743	004743	004743

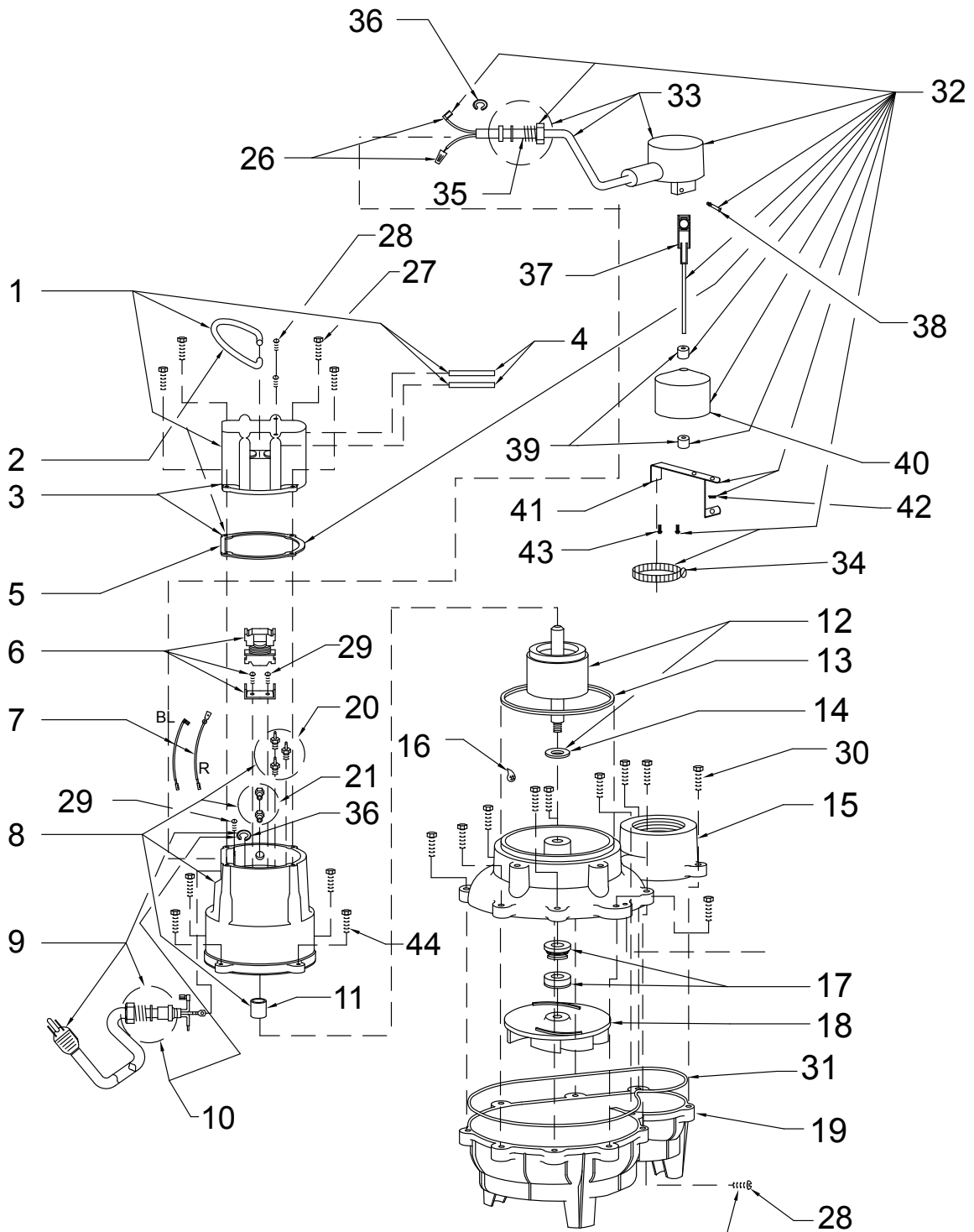
• Items included in Rebuild Kit.

□ Not shown in illustration.

## NOTES:

- 1) Mtr. Hsg., Brg., Stator & Term (Item 8) are preassembled at the factory and must be replaced as a unit. Stator is permanently attached to the Motor Housing. Plug (Item 21); Seal, Thru Wall Term. (Item 20) and Bearing - Upper (Item 11) are replaceable.
- 2) When ordering Motor Housing, Bearing, Stator and Term. (Item 8) or Rotor (Item 12) specify either GE or Emerson motor. GE motor can be identified by (4) half oval slots spaced at 90° around the outside diameter of the stator. Emerson motor can be identified by (2) half oval slots spaced at 180° around the outside diameter of the stator.
- 3) If an "X" follows Model No., or Date Mfg. on brass ID tag, consult factory for ordering any parts.
- 4) See FM0160 Parts Price Sheet for listing of parts prices.
- 5) "NA" indicates, not applicable.
- 6) Units manufactured from 7/91 - 9/97 use a 7" float rod; units manufactured after 9/97 use a 10" float rod.

# REPLACEMENT PARTS ILLUSTRATION FOR MODELS "WM266"



FOR CAST IRON BASE  
DATE CODE YS TO 0396

22,23,24, & 25 NOT SHOWN

SK918

# NOTES



**MAIL TO:** P.O. BOX 16347 • Louisville, KY 40256-0347  
**SHIP TO:** 3649 Cane Run Road • Louisville, KY 40211-1961  
(502) 778-2731 • 1 (800) 928-PUMP • **FAX** (502) 774-3624

Trusted. Tested. Tough.™

**Visit our web site:**  
[zoellerpumps.com](http://zoellerpumps.com)