

# Alfa Laval Access Tank Cover – Oval Cover Type LKD 440 x 320

## Tank Covers

### Introduction

The Alfa Laval Access Tank Cover – Oval Cover Type LKD 440 x 320 is a stainless steel tank cover that provides a secure fit for openings of tanks or containers. It is engineered for use on the side of tanks or vessels in hygienic applications.

### Application

The Access Tank Cover – Oval Cover Type LKD 440 x 320 is designed for use in hygienic applications across for the food, beverage, personal care and wine industries. It is especially suitable for tanks used for the production of wine and juice.

### Benefits

- Versatility to cover all tank needs
- Hygienic design
- Available as a 3-A approved version

### Standard design

The construction of Access Tank Cover – Oval Cover Type LKD 440 x 320 enables visual inspection into the tank. The tank cover swings outwards and can be positioned above or below the liquid level to meet different application requirements.


Available in standard and pressure models for use both above and below the liquid level, the tank cover complies with the U.S. Food and Drug Administration (FDA) and the European 1935/2004/EC Declarations of Conformity.

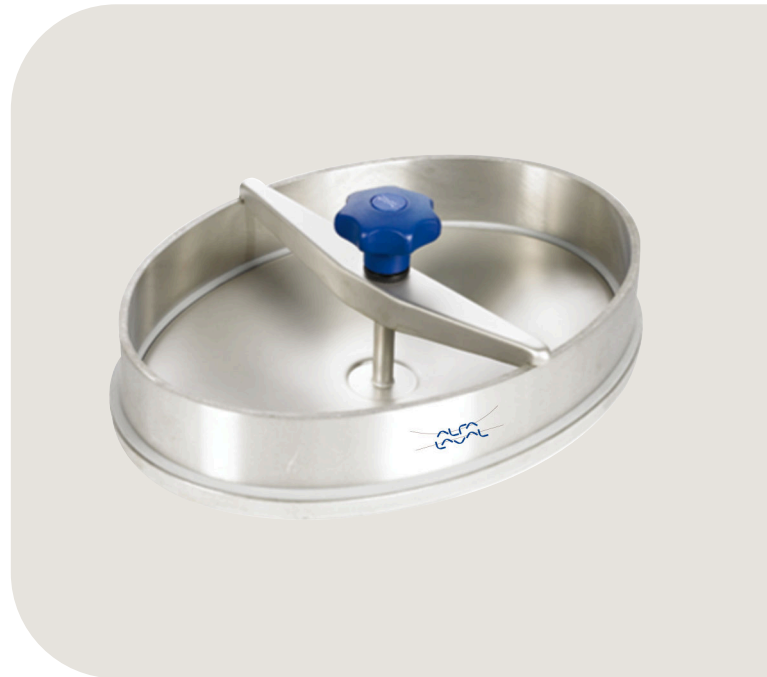
### Working principle

Open the cover by loosening the handle. For inspection purposes, the cover can then be turned into the tank. If physical entry into the tank is required, the cover can either be removed at the double hinge or swung out of the tank, depending on the model. Hygienically positioned, the seal is not affected by positive or negative pressure in the tank.

### Certificates

3.1 (cover and frame are supplied with material certificate 3.1 according to EN10204).

 Authorized to carry the 3A symbol



## TECHNICAL DATA

### Pressure

Max. static pressure:	1.5 bar (150 kPa)
Max. positive working pressure:	0 bar (0 kPa)
Max. negative working pressure:	0.5 bar (50 kPa)
Test pressure:	2.25 bar (225 kPa)

## PHYSICAL DATA

### Materials

Steel parts:	1.4301 (304) or 1.4404 (316L)
Plastic parts:	Nylon
Seals (FDA):	EPDM, NBR, FPM or Q (silicone)

### Standard surface finish

Product wetted surfaces:	Acid Pickled Ra 0.8 µm
Other lid and frame surfaces:	Ra 0.8 µm
External support and spindle:	Ra 3.0 µm

### 3A surface finish

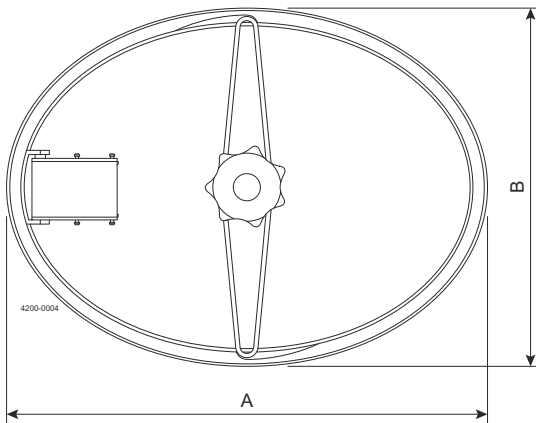
Product wetted surfaces:	Electropolished Ra 0.8µm (0.4 µm lid wetted surface)
Other lid and frame surfaces:	Ra 0.8µm (0.4 µm lid wetted surface)
External support and spindle:	Ra 3.0 µm

### Temperature

Q	-50 °C / 200 °C
EPDM	-15 °C / 90 °C
FPM	-10 °C / 250 °C
NBR	-30 °C / 110 °C

Weight:	7.8 kg
---------	--------

## Dimensions (mm)



Type	LKD 440 x 320
A	440
B	320
E	160
F	60
t	8
Cover thickness	2

This document and its contents are subject to copyrights and other intellectual property rights owned by Alfa Laval Corporate AB. No part of this document may be copied, re-produced or transmitted in any form or by any means, or for any purpose, without Alfa Laval Corporate AB's prior express written permission. Information and services provided in this document are made as a benefit and service to the user, and no representations or warranties are made about the accuracy or suitability of this information and these services for any purpose. All rights are reserved.

200006207-1-EN-GB

© Alfa Laval Corporate AB

---

**How to contact Alfa Laval**

Up-to-date Alfa Laval contact details for all countries are always available on our website at [www.alfalaval.com](http://www.alfalaval.com)