

PINECREST

SECONDARY PRODUCT NAME

SKU: 950065



CONTENTS

DIVERTER VALVE	PAGE 2
ROUGH-IN VALVE	PAGE 3
PRESSURE BALANCE VALVE	PAGE 4
ROUGH-IN VALVE	PAGE 5
CEILING SHOWER HEAD	PAGE 6
SHOWER ARM	PAGE 7

FEATURES

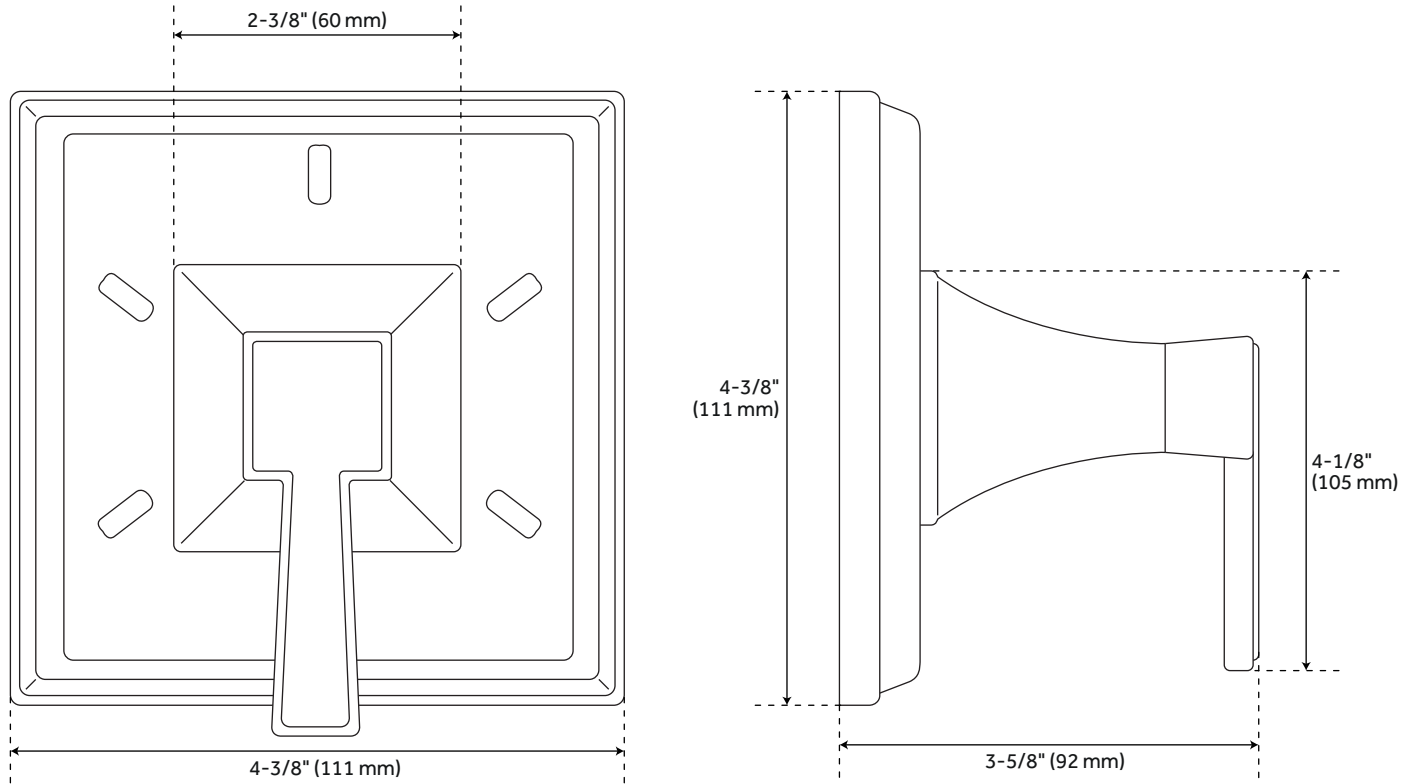
- Metal Handles
- Solid Brass Shower Arms
- Single Function Shower Heads (Full Spray)
- Easy-Clean Silicone Nozzles
- Optional Pressure Balance Rough-In Valve:
 - One-Piece Cartridge Design for Ease of Maintenance
 - Back-to-Back Capability
 - Ceramic Disc Valve Cartridge
 - Cast Bronze Valve Body
 - Adjustable Temperature Limit Stop
 - Quick Remove Plaster Guard
 - Easy Mounting Brackets
 - Integral Stops
- Optional Diverter Rough-In Valve:
 - Six Total Settings Allow For Shared Water Flow Between Outlets, Giving You The Ability To Use Two Functions At Once
 - Ceramic Cartridge
 - Available Single-Function Diverter Valve Cartridge Restricts Water Flow To One Outlet At A Time
 - Brass Valve Body

REVISED 11/18/2020

PINECREST

DIVERTER VALVE

SKU: 950065



FEATURES

Material: Brass
Handle Type: Lever
Installation Type: Wall Mount
Length: 4-3/8"
Height: 4-3/8"
Depth: 3-5/8"
Diverter Included: Yes
Diverter Outlets: 3

CODES/STANDARDS

cUPC
ASME A112.18.1/CSA B125.1
Massachusetts Accepted

PRODUCT IMAGE



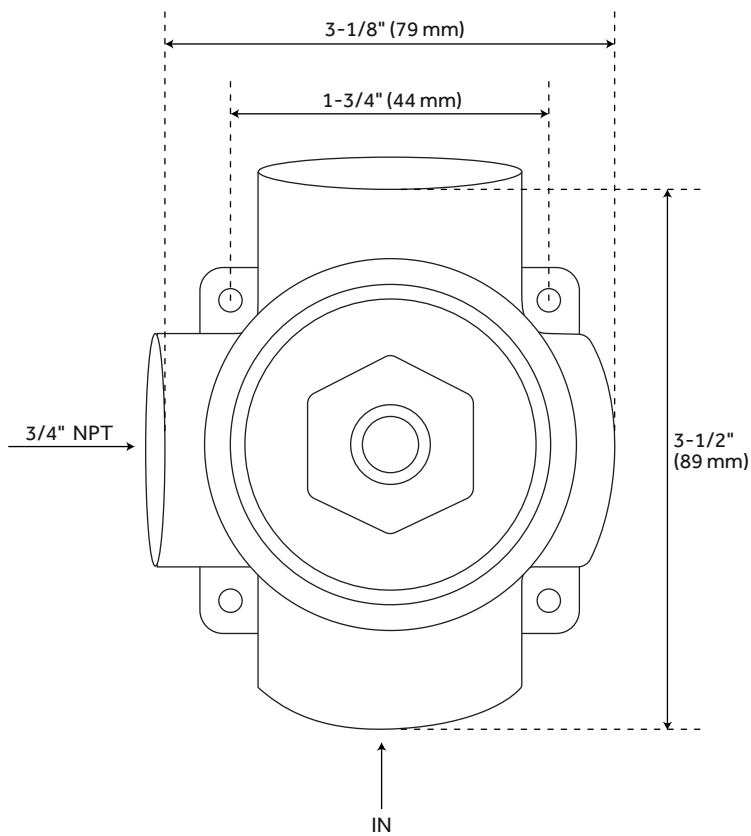
All dimensions and specifications are nominal and may vary. Use actual products for accuracy in critical situations.

PAGE 2
Code: SHPC9005LH, SHPCTVLEV

PINECREST

OPTIONAL DIVERTER ROUGH-IN VALVE

SKU: 950065



FEATURES

Material: Brass
NPT Connection: 3/4"
Ceramic cartridge

CODES/STANDARDS

cUPC
ASME A112.18.1/CSA B125.1
Massachusetts Accepted

PRODUCT IMAGE



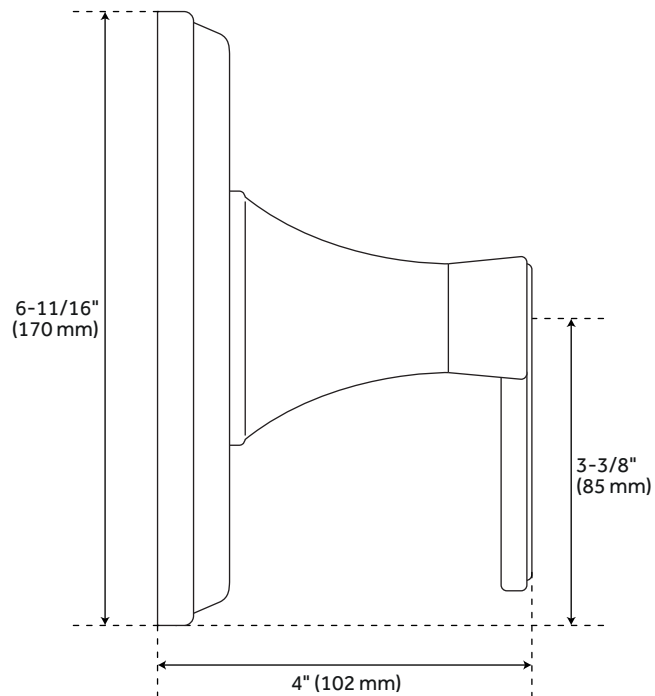
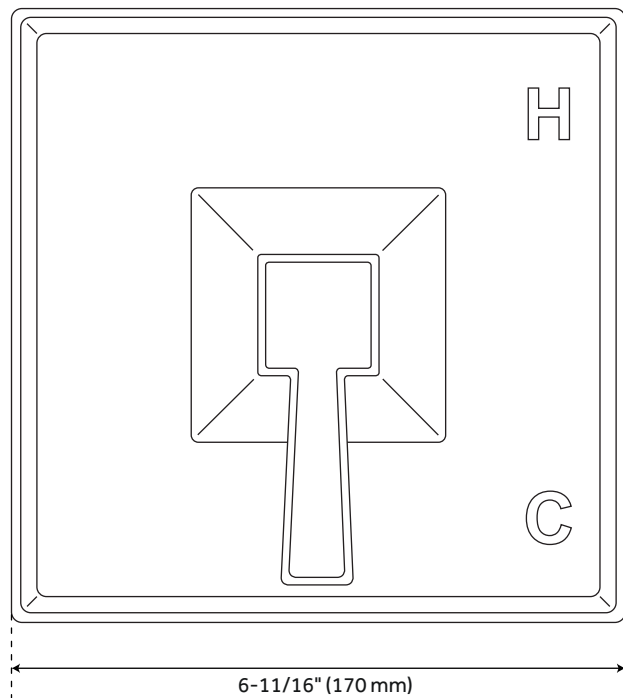
All dimensions and specifications are nominal and may vary. Use actual products for accuracy in critical situations.

PAGE 3
Code: SH6103

PINECREST

PRESSURE BALANCE VALVE

SKU: 950065



FEATURES

Material: Brass
Handle Type: Lever
Installation Type: Wall Mount
Length: 6-11/16"
Height: 6-11/16"
Depth: 4"
Base Plate Height: 6-11/16"
Base Plate Width: 6-11/16"

CODES/STANDARDS

cUPC
ASME A112.18.1/CSA B125.1
Massachusetts Accepted

PRODUCT IMAGE



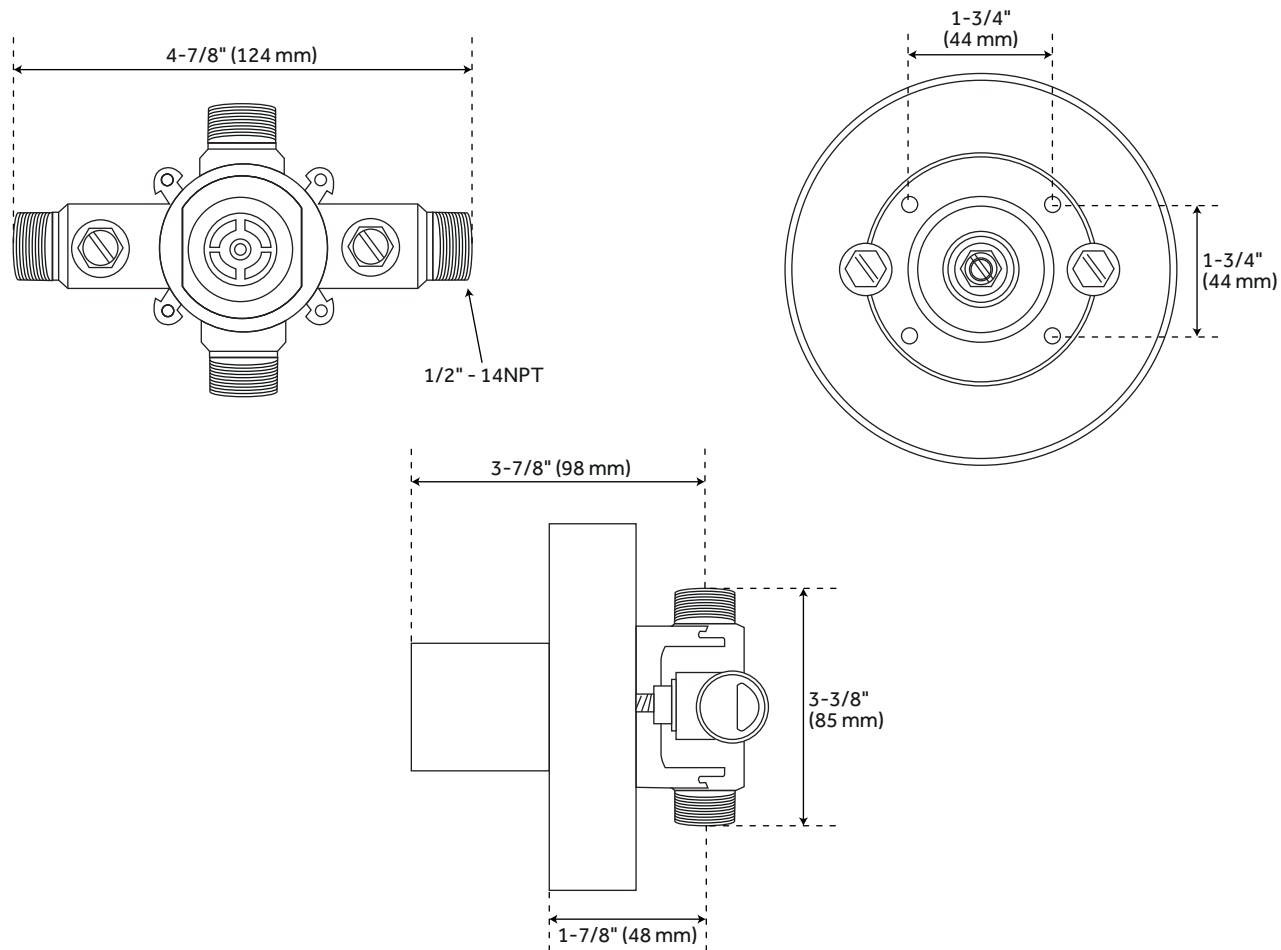
All dimensions and specifications are nominal and may vary. Use actual products for accuracy in critical situations.

PAGE 4
Code: SHPC8010LH, SHPCPBLEV

PINECREST

OPTIONAL PRESSURE BALANCE ROUGH-IN VALVE

SKU: 950065



FEATURES

Material: Bronze
NPT Connection: 1/2"

CODES/STANDARDS

cUPC
ASME A112.18.1/CSA B125.1
ASSE 1016 Type P
Massachusetts Accepted

PRODUCT IMAGE



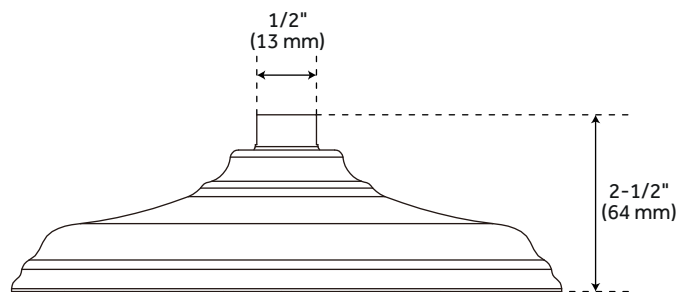
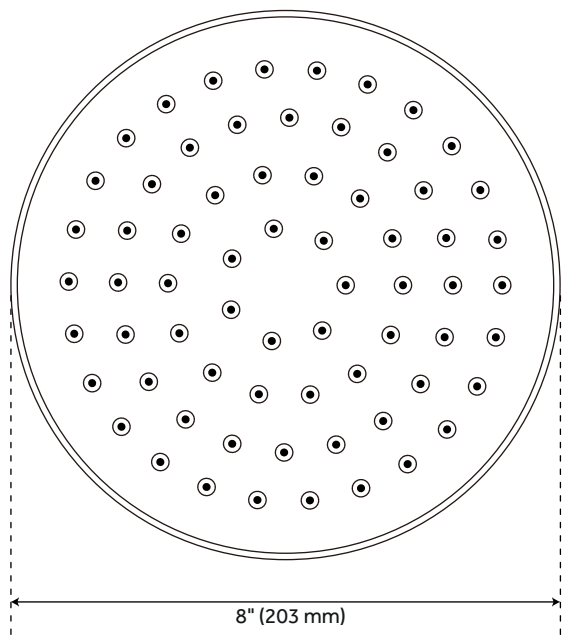
All dimensions and specifications are nominal and may vary. Use actual products for accuracy in critical situations.

PAGE 5
Code: SH4001

PINECREST

CEILING-MOUNT SHOWER HEAD

SKU: 950065



FEATURES

Shape: Round
Installation Type: Wall Mount
Number of Shower Heads: 1
Shower Head Material: Brass
Shower Head Spray: Rainfall
Shower Head Swivel: Yes
Shower Head Flow Rate: 1.8 gpm
(6.8 l/min) @ 80 psi
Diameter: 8"
Height: 2-1/2"
IPS: 1/2"

CODES/STANDARDS

cUPC
ASME A112.18.1/CSA B125.1
CEC Listed
Massachusetts Accepted

PRODUCT IMAGE



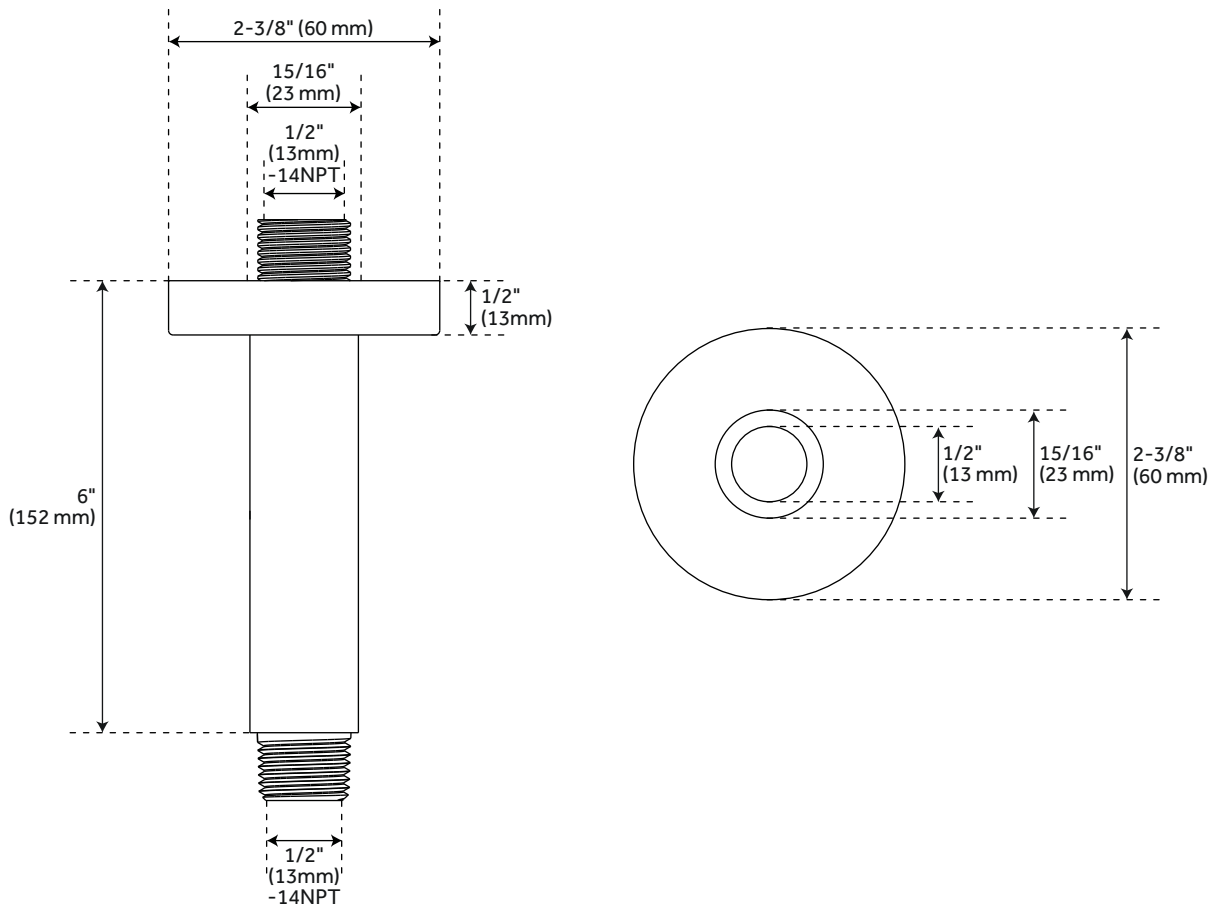
All dimensions and specifications are nominal and may vary. Use actual products for accuracy in critical situations.

PAGE 6
Code: SHRSA120, SHRS820T

PINECREST

CEILING-MOUNT SHOWER ARM

SKU: 950064



FEATURES

Shape: Round
Material: Brass
Features: Shower Arm Only
Base Plate Diameter: 2-3/8"
Assembly Required: No
Installation Type: Ceiling Mount
Escutcheon Included
IPS: 1/2"

CODES/STANDARDS

cCSAus
ASME A112.18.1/CSA B125.1

PRODUCT IMAGE



All dimensions and specifications are nominal and may vary. Use actual products for accuracy in critical situations.

PAGE 7
Code: SHRSC60