

PINECREST

THERMOSTATIC SHOWER SYSTEM WITH HAND SHOWER & 3 BODY SPRAYS - CROSS HANDLES

SKU: 950068



CONTENTS

DIVERTER VALVE	PAGE 2
ROUGH-IN VALVE	PAGE 3
THERMOSTATIC VALVE	PAGE 4
ROUGH-IN VALVE	PAGE 5
VOLUME CONTROL VALVE	PAGE 6
ROUGH-IN VALVE	PAGE 7
SHOWER HEAD	PAGE 8
WALL SHOWER ARM	PAGE 9
HAND SHOWER	PAGE 10
SLIDE BAR	PAGE 11
HOSE	PAGE 12
WATER SUPPLY ELBOW	PAGE 13
BODY SPRAY	PAGE 14

FEATURES

Thermostatic Technology Keeps Shower Temperature Within 1 Degree Celsius
Temperature Outlet Factory Calibrated to 104 Degrees Fahrenheit and can be Easily Adjusted Up or Down to User's Comfort Level

Metal Handles

Solid Brass Shower Arms

Single Function Shower Heads (Full Spray)

Easy-Clean Silicone Nozzles

5 Function Hand Shower (Full Spray, Massage Spray, Aerated Spray Full & Massage Spray, and Full & Aerated)

60" - 72" Stretchable Metal Shower Hose

Adjustable Angle for Handshower Mount

Must be Installed in Accordance with Provided Installation Instructions

Optional Thermostatic Rough-In Valve:

Scald Guard Protection

High Temperature Limit Stop

Ceramic Cartridge

Integral Water Stops and Check Valve

Bronze Valve Body

Optional Volume Control Rough-In Valve:

Ceramic Cartridge

Brass Valve Body

Optional Diverter Rough-In Valve:

Six Total Settings Allow for Shared Water

Flow Between Outlets, Giving You the

Ability to Use Two Functions at Once

Ceramic Cartridge

Available Single-Function Diverter Valve

Cartridge Restricts Water Flow to One

Outlet at a Time

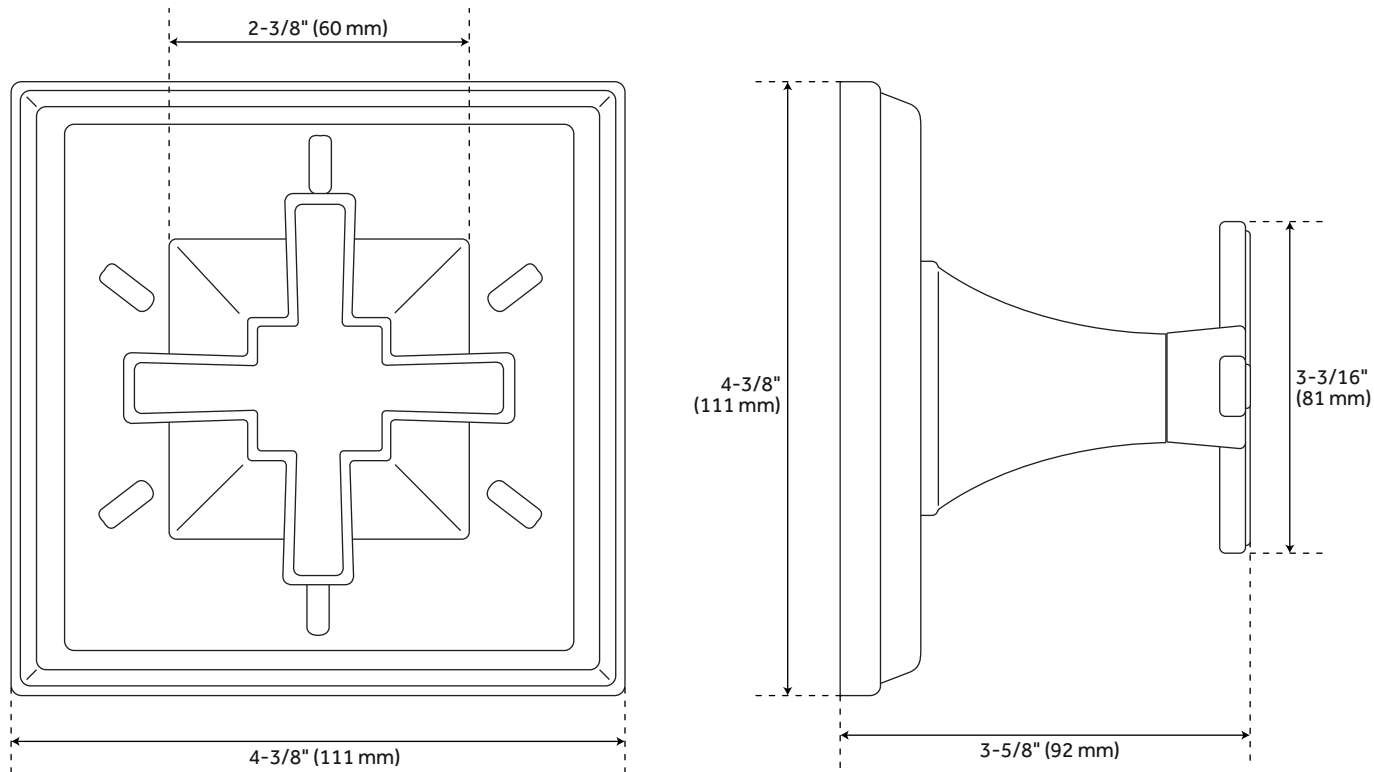
Brass Valve Body

REVISED 08/28/2020

PINECREST

DIVERTER VALVE

SKU: 950068



FEATURES

Material: Brass
Installation Type: Wall Mount
Length: 4-3/8"
Height: 4-3/8"
Depth: 3-5/8"
Diverter Included: Yes
Diverter Outlets: 3

CODES/STANDARDS

cUPC
ASME A112.18.1/CSA B125.1
Massachusetts Accepted

PRODUCT IMAGE



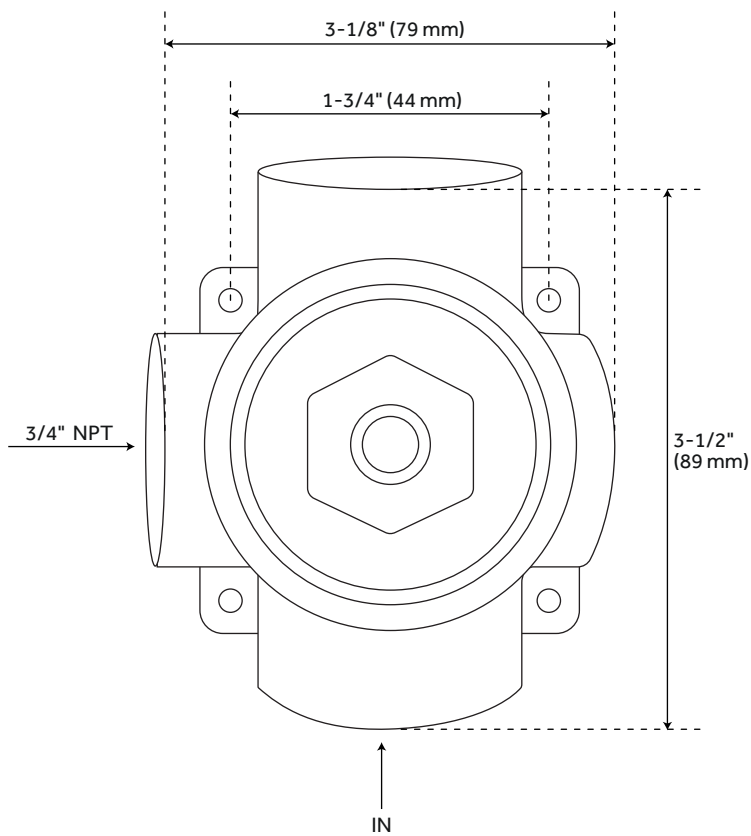
All dimensions and specifications are nominal and may vary. Use actual products for accuracy in critical situations.

PAGE 2
Code: SHPC9005LH, SHPCTVCRS

PINECREST

OPTIONAL DIVERTER ROUGH-IN VALVE

SKU: 950068



FEATURES

Material: Brass
NPT Connection: 3/4"
Ceramic cartridge

CODES/STANDARDS

cUPC
ASME A112.18.1/CSA B125.1
Massachusetts Accepted

PRODUCT IMAGE



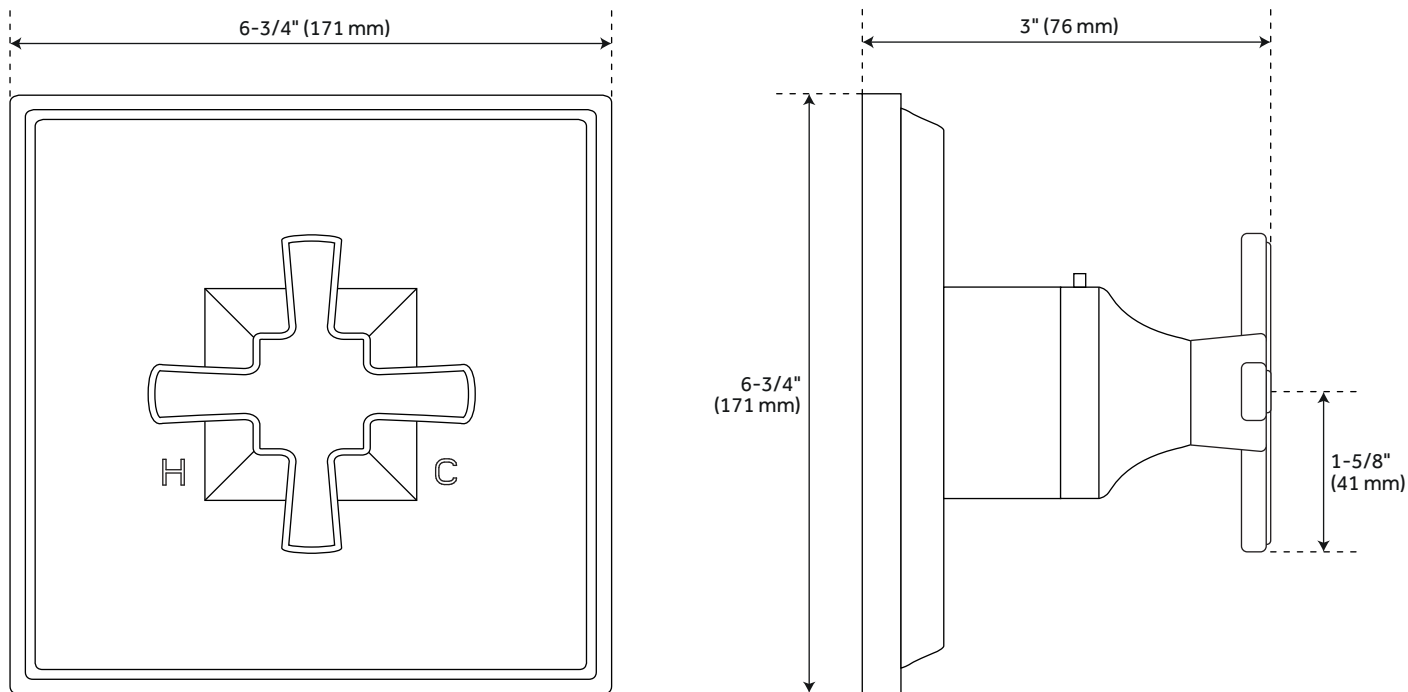
All dimensions and specifications are nominal and may vary. Use actual products for accuracy in critical situations.

PAGE 3
Code: SH6103

PINECREST

THERMOSTATIC VALVE

SKU: 950068



FEATURES

- Material: Brass
- Width: 6-3/4"
- Height: 6-3/4"
- Depth: 3"
- Wall Thickness Range: 1-5/8" to 2-3/8"

CODES/STANDARDS

- cUPC
- ASME A112.18.1/CSA B125.1
- Massachusetts Accepted

PRODUCT IMAGE



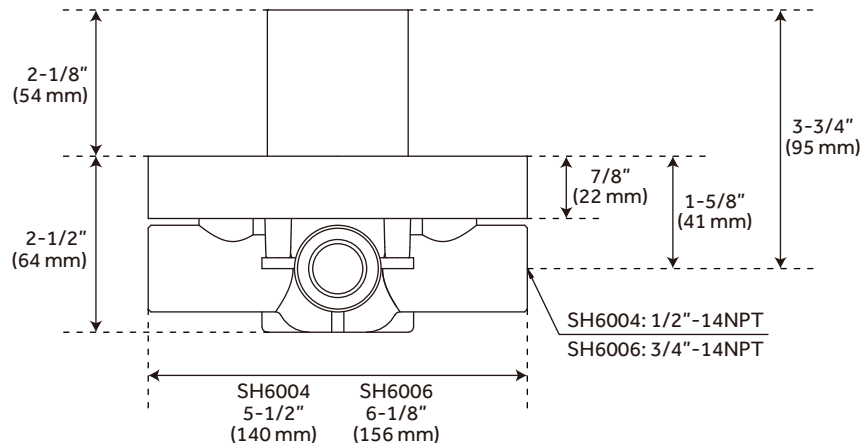
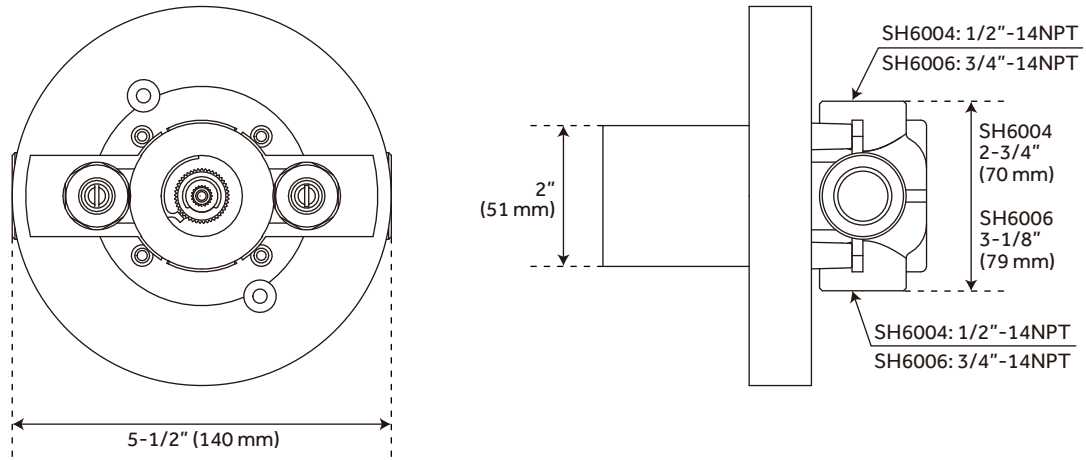
All dimensions and specifications are nominal and may vary. Use actual products for accuracy in critical situations.

PAGE 4
Code: SHPC9009LH, SHPCTSTLEV

PINECREST

OPTIONAL THERMOSTATIC ROUGH-IN VALVE

SKU: 950068



FEATURES

- Bronze Valve Body
- Ceramic Cartridge
- Integral Water Stops and Check Valve
- Recommended Valve Installation Depth 1-5/8" to 2-3/8"
- Must Be Installed in Accordance With Provided Installation Instructions

CODES/STANDARDS

- cUPC
- ASME A112.18.1/CSA B125.1
- ASSE 1016 Type T

PRODUCT IMAGE



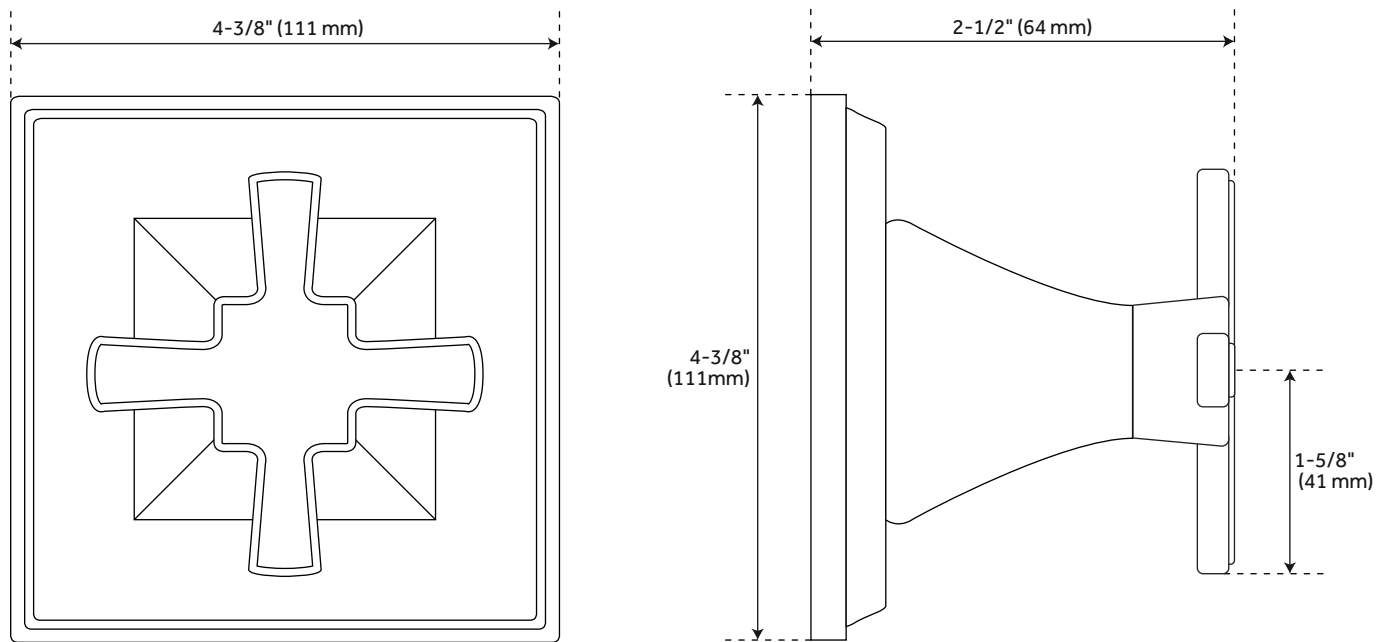
All dimensions and specifications are nominal and may vary. Use actual products for accuracy in critical situations.

PAGE 5
Code: SH4001

PINECREST

VOLUME CONTROL VALVE

SKU: 950068



FEATURES

Material: Brass
Width: 4-3/8"
Height: 4-3/8"
Depth: 2-1/2"
Wall Thickness Range: 1" to 1-3/4"

CODES/STANDARDS

cUPC
ASME A112.18.1/CSA B125.1
ICC/ANSI A117.1 (when installed
according to ADA standards)
Massachusetts Accepted

PRODUCT IMAGE



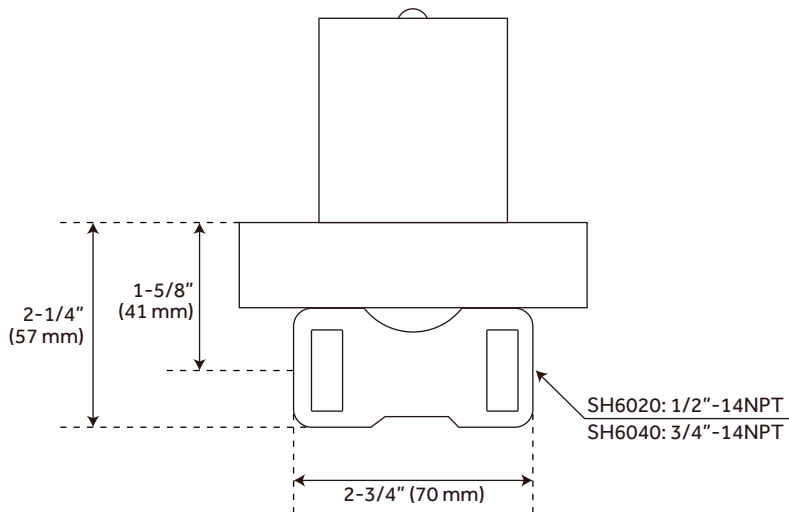
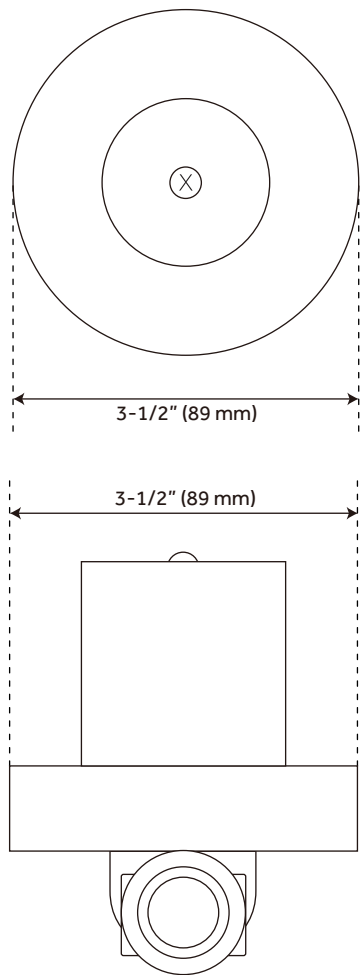
All dimensions and specifications are nominal and may vary. Use actual products for accuracy in critical situations.

PAGE 6
Code: SHPC9007LH, SHPCVCCRS

PINECREST

OPTIONAL VOLUME CONTROL ROUGH-IN VALVE

SKU: 950068



FEATURES

- Brass Valve Body
- Ceramic Cartridge
- Recommended Valve Installation
Depth 1-5/8" to 2-3/8"

CODES/STANDARDS

- cUPC
- ASME A112.18.1/CSA B125.1

PRODUCT IMAGE



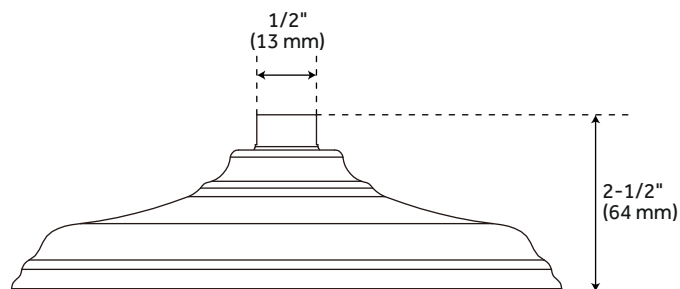
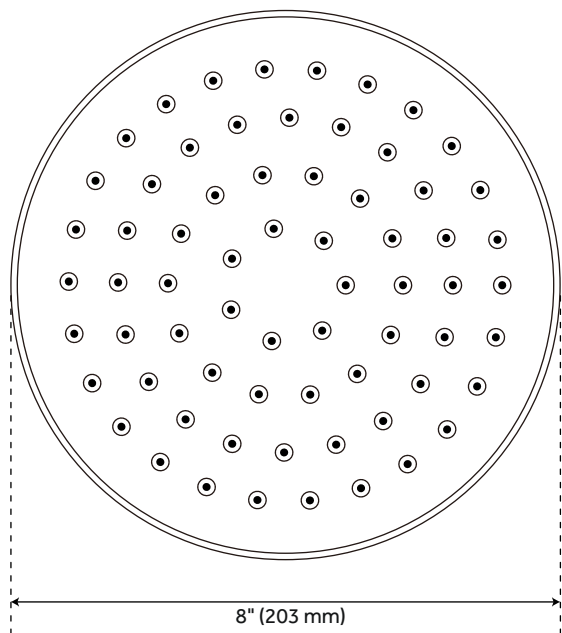
All dimensions and specifications are nominal and may vary. Use actual products for accuracy in critical situations.

PAGE 7
Code: SH6020/SH6040

PINECREST

CEILING-MOUNT SHOWER HEAD

SKU: 950068



FEATURES

Shape: Round
Installation Type: Wall Mount
Number of Shower Heads: 1
Shower Head Material: Brass
Shower Head Spray: Rainfall
Shower Head Swivel: Yes
Shower Head Flow Rate: 1.8 gpm
(6.8 l/min) @ 80 psi
Diameter: 8"
Height: 2-1/2"
IPS: 1/2"

CODES/STANDARDS

cUPC
ASME A112.18.1/CSA B125.1
CEC Listed
Massachusetts Accepted

PRODUCT IMAGE



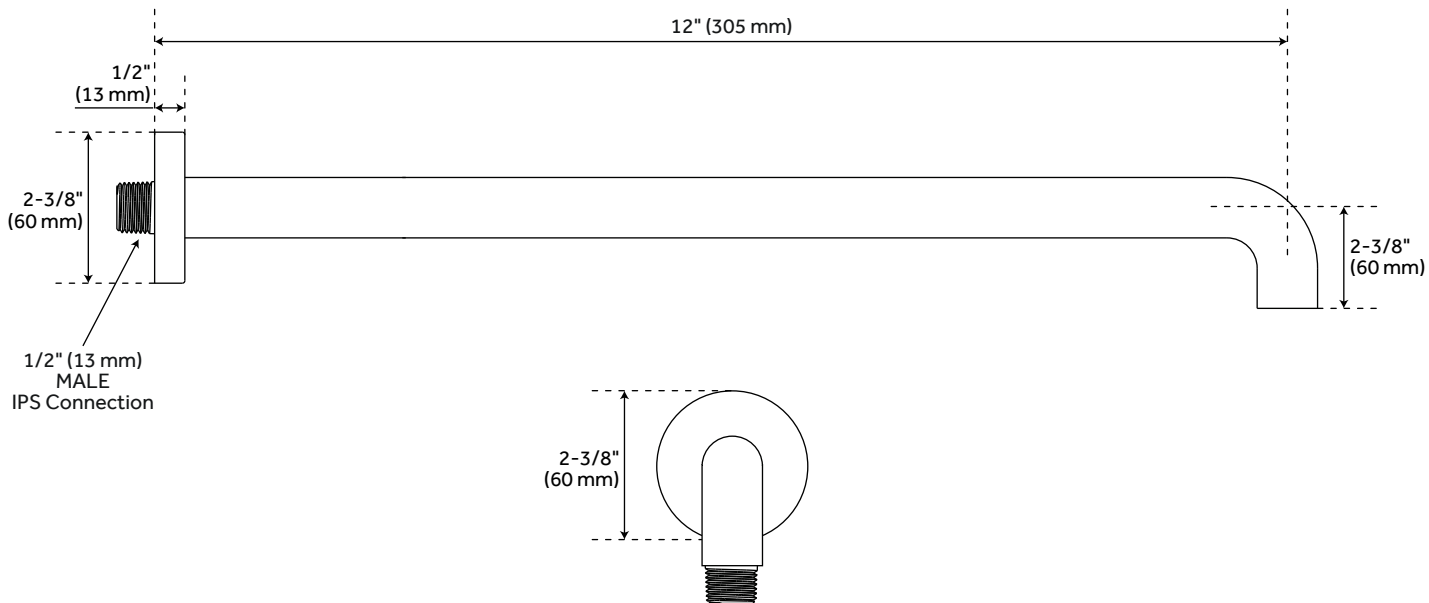
All dimensions and specifications are nominal and may vary. Use actual products for accuracy in critical situations.

PAGE 8
Code: SHRSA120, SHRS820T

PINECREST

WALL-MOUNT SHOWER ARM

SKU: 950068



FEATURES

Base Plate Diameter: 2-3/8"
Shower Arm Extension: 12"
Shower Arm Height: 2-3/8"

CODES/STANDARDS

cCSAus
ASME A112.18.1/CSA B125.1
Massachusetts Accepted

PRODUCT IMAGE



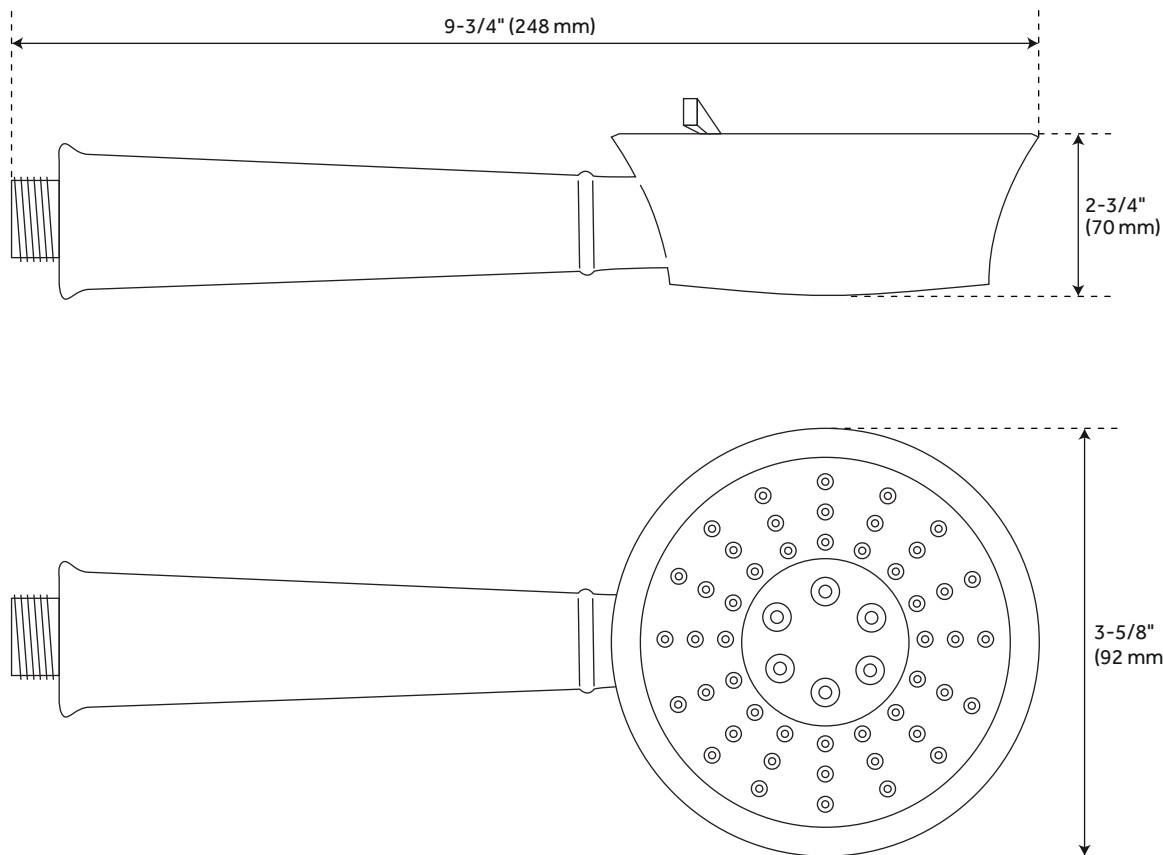
All dimensions and specifications are nominal and may vary. Use actual products for accuracy in critical situations.

PAGE 9
Code: SHPC9005LH, SHPCTVCRS

PINECREST

HAND SHOWER

SKU: 950068



FEATURES

Material: Brass
Installation Type: Wall Mount
Length: 9-3/4"
Height: 3-5/8"
Depth: 2-3/4"
Diverter Included: Yes
Diverter Outlets: 3

CODES/STANDARDS

cUPC
ASME A112.18.1/CSA B125.1
ASME A112.18.3
WaterSense

PRODUCT IMAGE



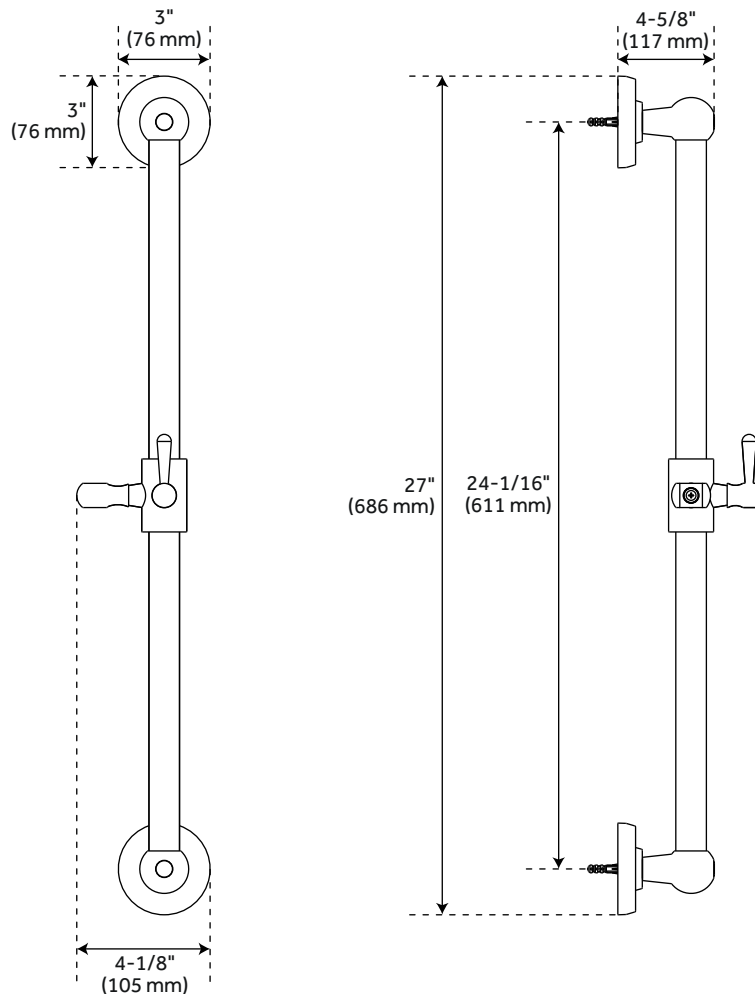
All dimensions and specifications are nominal and may vary. Use actual products for accuracy in critical situations.

PAGE 10
Code: SHHS4090G

PINECREST

SLIDE BAR FOR HAND SHOWER

SKU: 950068



FEATURES

- Material: Brass
- Handle Type: Lever
- Length: 4-1/8"
- Width: 4-5/8"
- Height: 27"
- Assembly Required: No
- Installation Type: Wall Mount
- Mounting Hardware Included: Yes
- Base Plate Height: 3"
- Base Plate Width: 3"

PRODUCT IMAGE



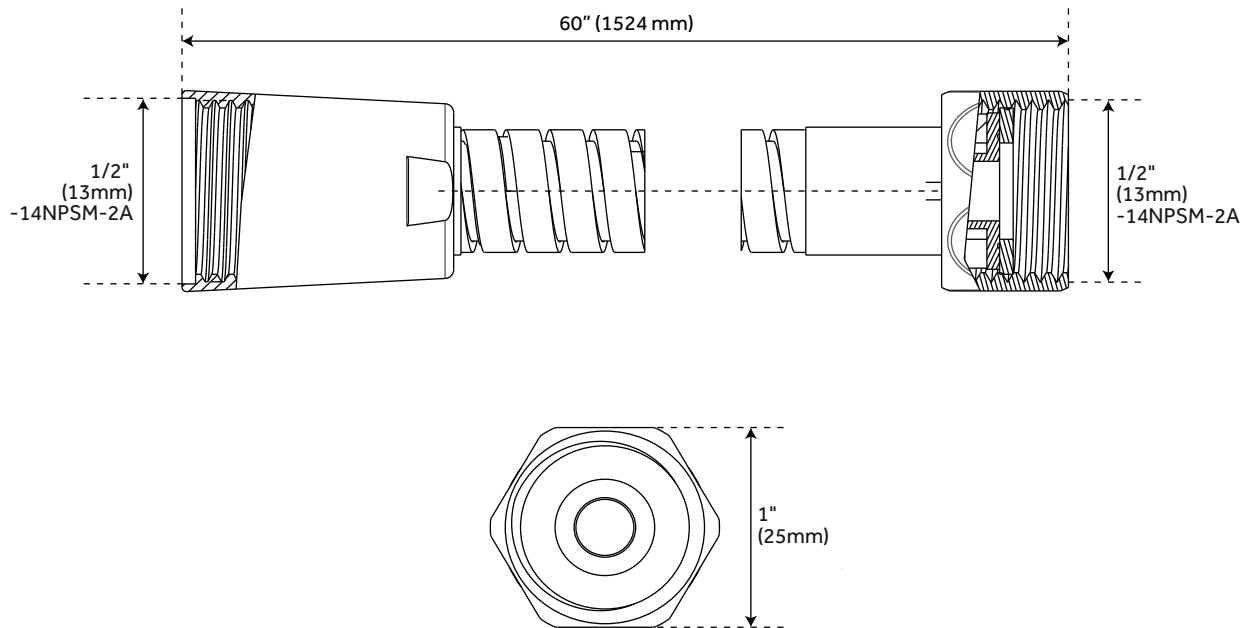
All dimensions and specifications are nominal and may vary. Use actual products for accuracy in critical situations.

PAGE 11
Code: SHSB3010

PINECREST

METAL HOSE FOR HAND SHOWER

SKU: 950068



FEATURES

Length: 60"
NPT Connection: 1/2"
Double Spiral Construction
Metal Conical Nut

CODES/STANDARDS

cUPC
ASME A112.18.1/CSA B125.1
Massachusetts Accepted

PRODUCT IMAGE



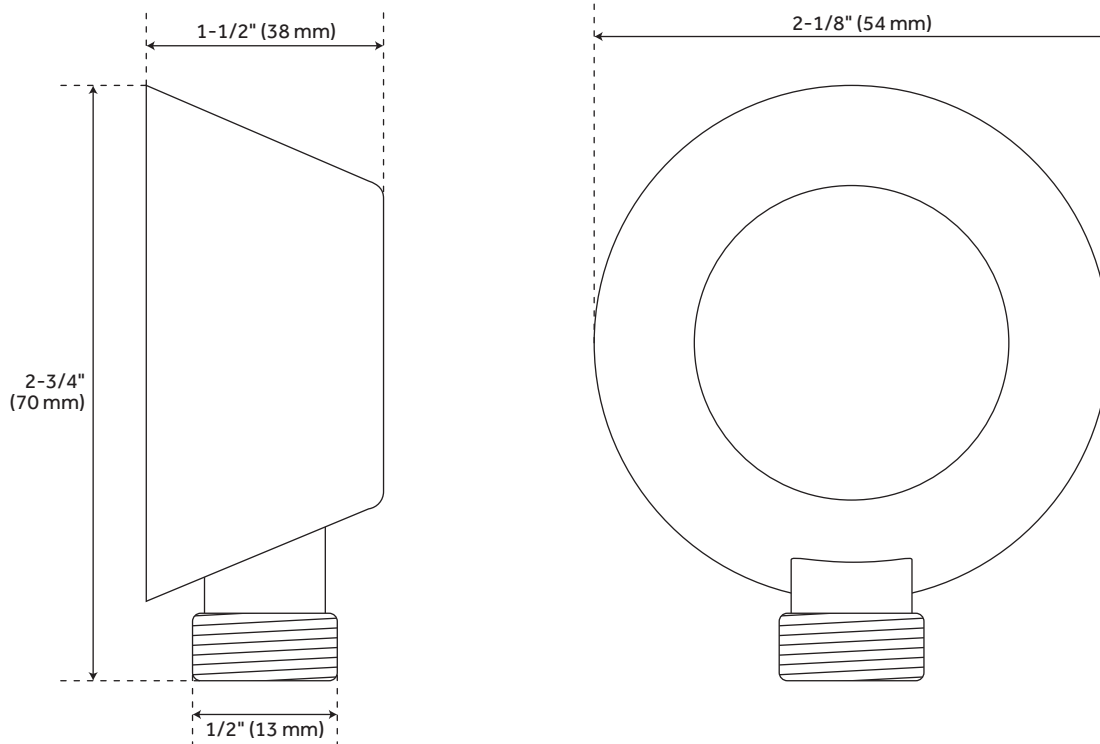
All dimensions and specifications are nominal and may vary. Use actual products for accuracy in critical situations.

PAGE 12

PINECREST

WATER SUPPLY ELBOW FOR HAND SHOWER

SKU: 950068



FEATURES

Material: Brass
Length: 2-1/8"
Width: 2-3/4"
Height: 1-1/2"

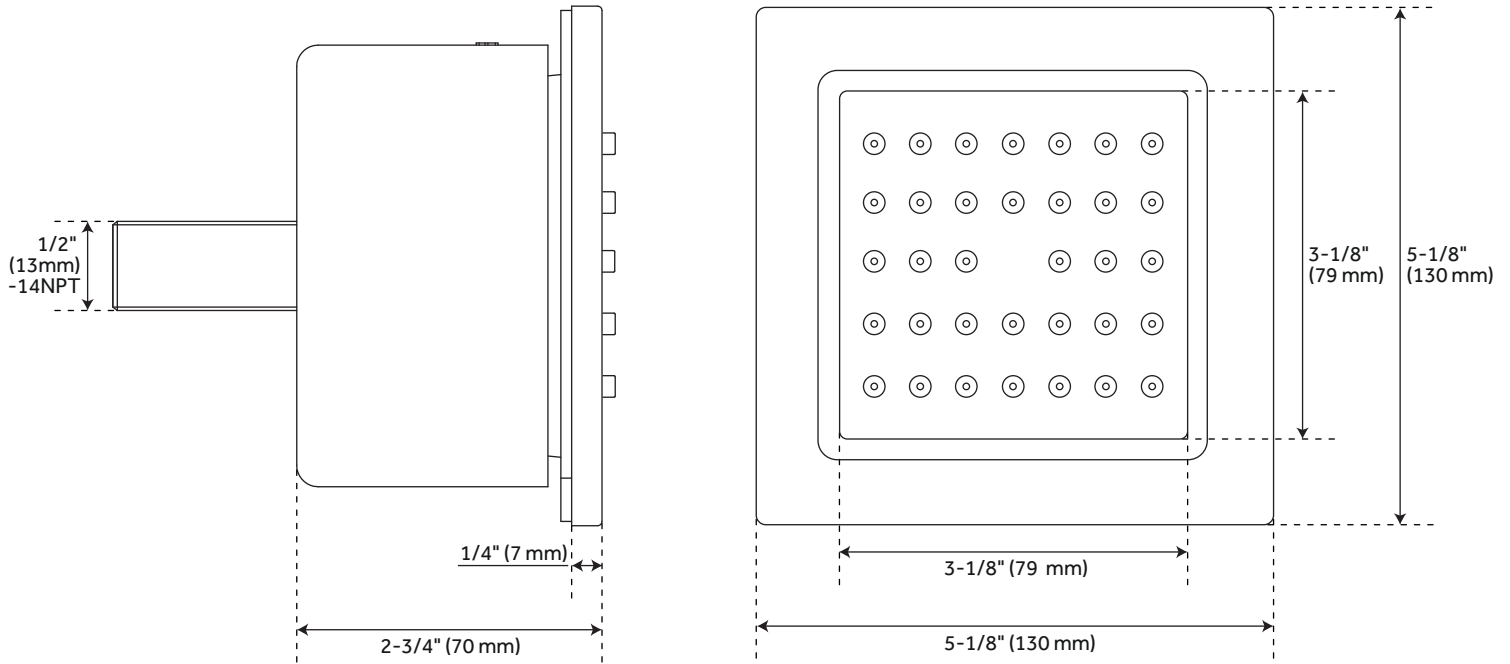
PRODUCT IMAGE



PINECREST

BODY SPRAY

SKU: 950068



FEATURES

- Material: Brass
- Assembly Required: No
- Base Plate Height: 5-1/8"
- Base Plate Width: 5-1/8"
- Depth: 2-3/4"
- Jet Surface Area: 3-1/8"
- Surface Depth: 1/4"
- Adjustment Angle: 5°
- Male NPT Connection: 1/2"
- Maximum Flow Rate: 2.5 gpm
(9.5L/min) max @ 80 psi

PRODUCT IMAGE



All dimensions and specifications are nominal and may vary. Use actual products for accuracy in critical situations.

PAGE 14
Code: SHBS6040E