

# PINECREST

## THERMOSTATIC SHOWER SYSTEM WITH HAND SHOWER & 3 BODY SPRAYS - LEVER HANDLES

SKU: 950069



### CONTENTS

DIVERTER VALVE	.....	PAGE 2
ROUGH-IN VALVE	.....	PAGE 3
THERMOSTATIC VALVE	.....	PAGE 4
ROUGH-IN VALVE	.....	PAGE 5
VOLUME CONTROL VALVE	.....	PAGE 6
ROUGH-IN VALVE	.....	PAGE 7
SHOWER HEAD	.....	PAGE 8
WALL SHOWER ARM	.....	PAGE 9
HAND SHOWER	.....	PAGE 10
SLIDE BAR	.....	PAGE 11
HOSE	.....	PAGE 12
WATER SUPPLY ELBOW	.....	PAGE 13
BODY SPRAY	.....	PAGE 14

### FEATURES

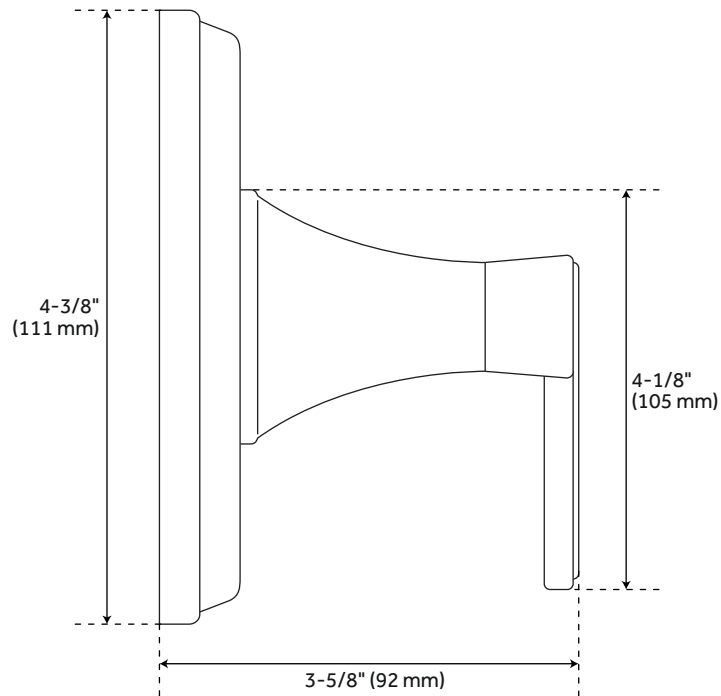
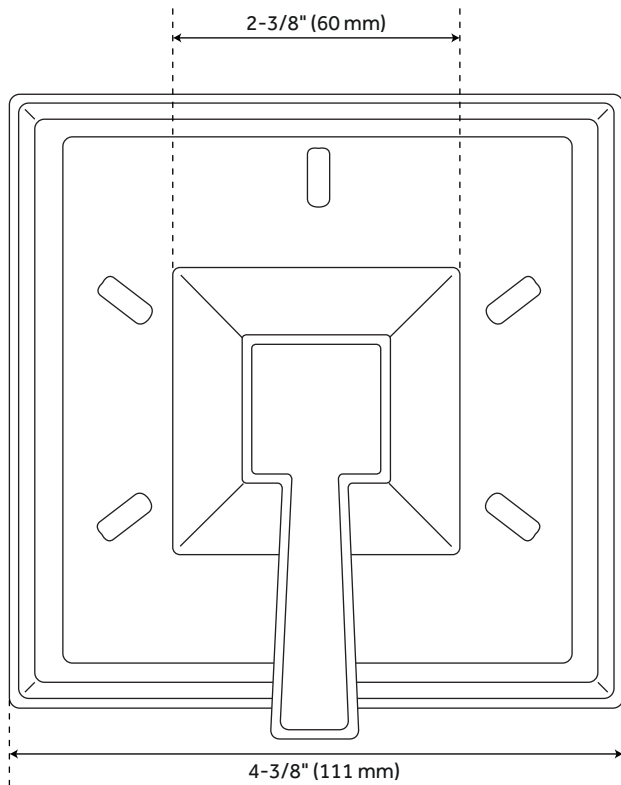
- Thermostatic Technology Keeps Shower Temperature Within 1 Degree Celsius
- Temperature Outlet Factory Calibrated to 104 Degrees Fahrenheit and can be Easily Adjusted Up or Down to User's Comfort Level
- Metal Handles
- Solid Brass Shower Arms
- Single Function Shower Heads (Full Spray)
- Easy-Clean Silicone Nozzles
- 5 Function Hand Shower (Full Spray, Massage Spray, Aerated Spray Full & Massage Spray, and Full & Aerated)
- 60" - 72" Stretchable Metal Shower Hose
- Adjustable Angle for Handshower Mount
- Must be Installed in Accordance with Provided Installation Instructions
- Optional Thermostatic Rough-In Valve:
  - Scald Guard Protection
  - High Temperature Limit Stop
  - Ceramic Cartridge
  - Integral Water Stops and Check Valve
  - Bronze Valve Body
- Optional Volume Control Rough-In Valve:
  - Ceramic Cartridge
  - Brass Valve Body
- Optional Diverter Rough-In Valve:
  - Six Total Settings Allow for Shared Water Flow Between Outlets, Giving You the Ability to Use Two Functions at Once
  - Ceramic Cartridge
  - Available Single-Function Diverter Valve Cartridge Restricts Water Flow to One Outlet at a Time
  - Brass Valve Body

REVISED 08/27/2020

# PINECREST

## DIVERTER VALVE

SKU: 950069



### FEATURES

Material: Brass  
Handle Type: Lever  
Installation Type: Wall Mount  
Length: 4-3/8"  
Height: 4-3/8"  
Depth: 3-5/8"  
Diverter Included: Yes  
Diverter Outlets: 3

### CODES/STANDARDS

cUPC  
ASME A112.18.1/CSA B125.1  
Massachusetts Accepted

### PRODUCT IMAGE



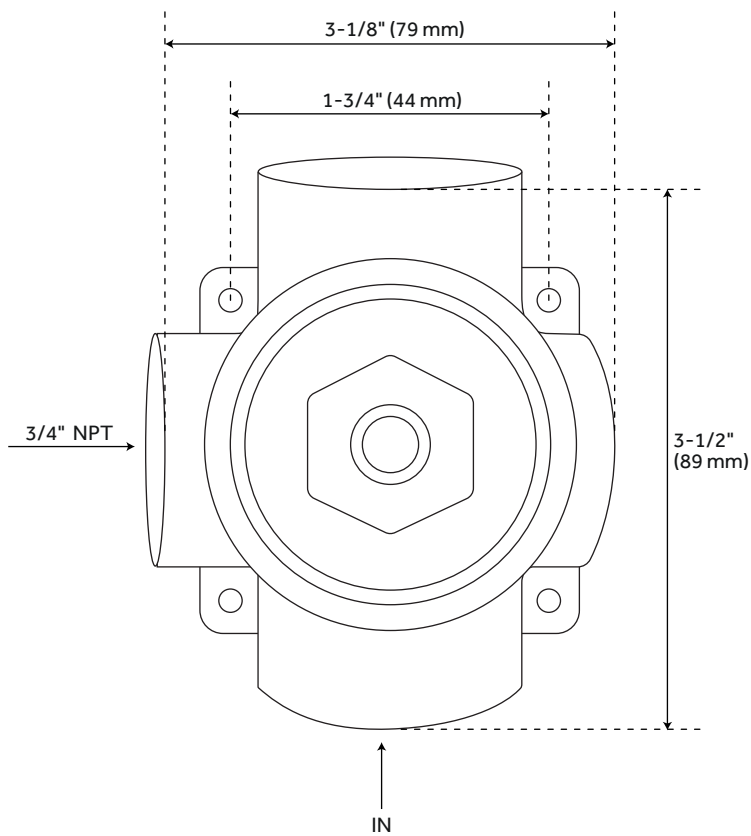
All dimensions and specifications are nominal and may vary. Use actual products for accuracy in critical situations.

PAGE 2  
Code: SHPC9005LH, SHPCTVLEV

# PINECREST

## OPTIONAL DIVERTER ROUGH-IN VALVE

SKU: 950069



### FEATURES

Material: Brass  
NPT Connection: 3/4"  
Ceramic cartridge

### CODES/STANDARDS

cUPC  
ASME A112.18.1/CSA B125.1  
Massachusetts Accepted

### PRODUCT IMAGE



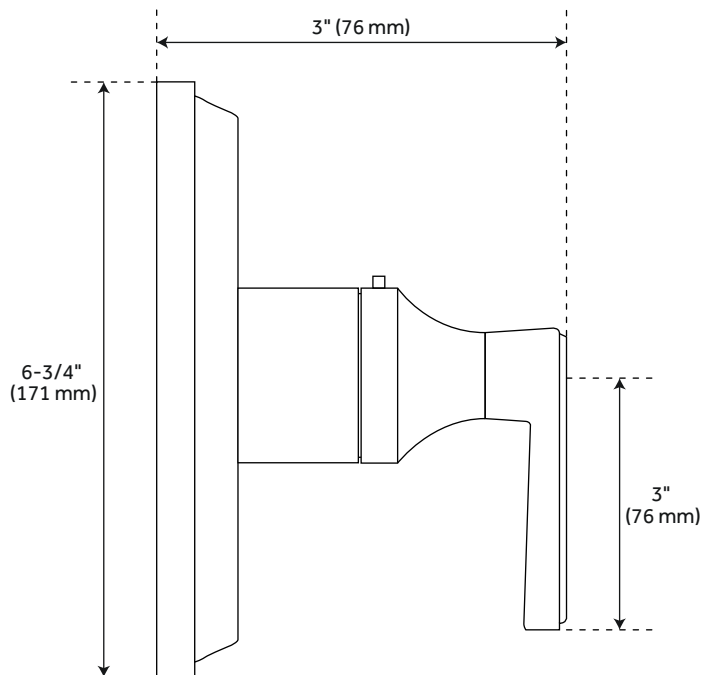
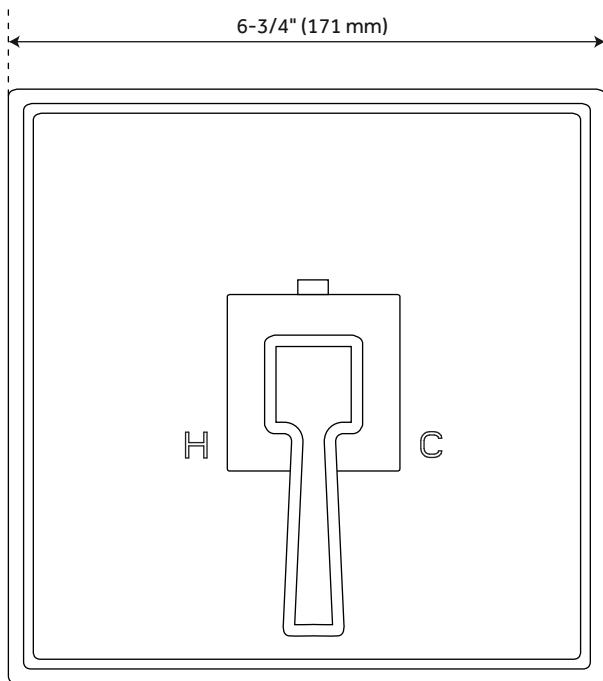
All dimensions and specifications are nominal and may vary. Use actual products for accuracy in critical situations.

PAGE 3  
Code: SH6103

# PINECREST

## THERMOSTATIC VALVE

SKU: 950069



### FEATURES

- Material: Brass
- Width: 6-3/4"
- Height: 6-3/4"
- Depth: 3"
- Wall thickness range: 1-5/8" to 2-3/8"

### CODES/STANDARDS

- cUPC
- ASME A112.18.1/CSA B125.1
- Massachusetts Accepted

### PRODUCT IMAGE



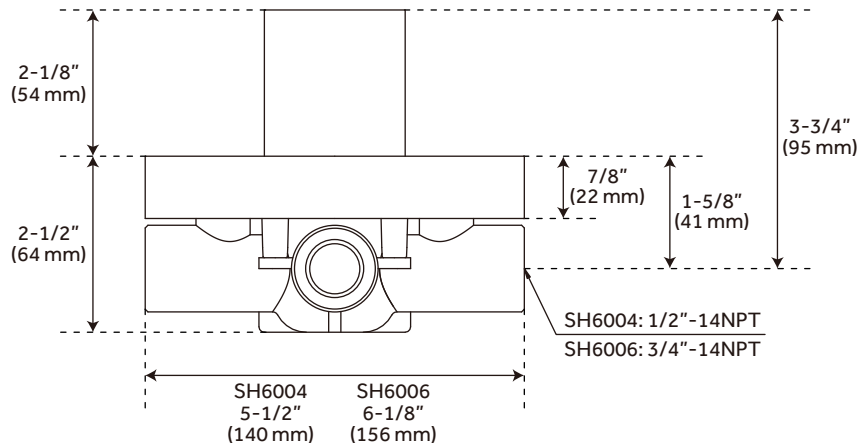
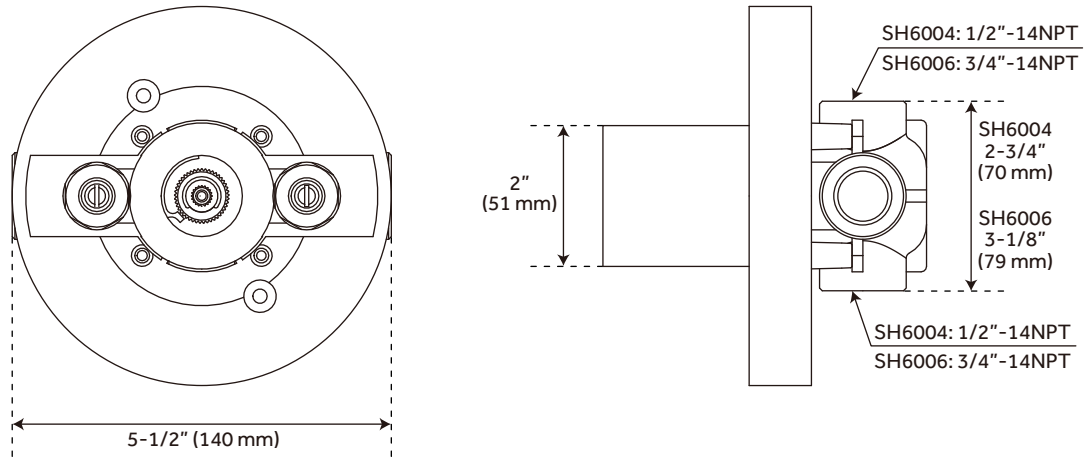
All dimensions and specifications are nominal and may vary. Use actual products for accuracy in critical situations.

PAGE 4  
Code: SHPC9009LH, SHPCTSTLEV

# PINECREST

## OPTIONAL THERMOSTATIC ROUGH-IN VALVE

SKU: 950069



### FEATURES

- Bronze Valve Body
- Ceramic Cartridge
- Integral Water Stops and Check Valve
- Recommended Valve Installation Depth 1-5/8" to 2-3/8"
- Must Be Installed in Accordance With Provided Installation Instructions

### CODES/STANDARDS

- cUPC
- ASME A112.18.1/CSA B125.1
- ASSE 1016 Type T

### PRODUCT IMAGE



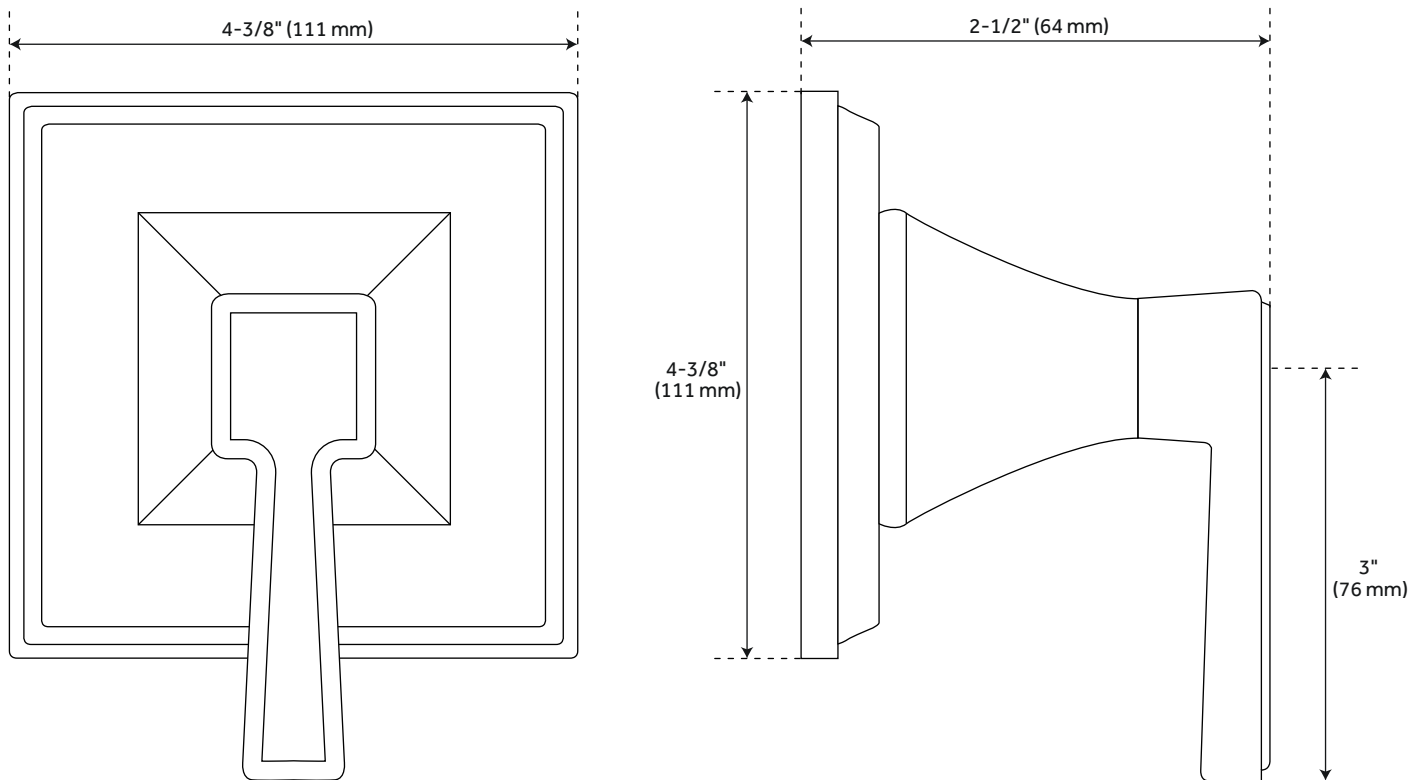
All dimensions and specifications are nominal and may vary. Use actual products for accuracy in critical situations.

PAGE 5  
Code: SH4001

# PINECREST

## VOLUME CONTROL VALVE

SKU: 950069



### FEATURES

Material: Brass  
Handle Type: Lever  
Installation Type: Wall  
Width: 4-3/8"  
Height: 4-3/8"  
Depth: 2-1/2"  
Wall Thickness Range: 1" to 1-3/4"

### CODES/STANDARDS

cUPC  
ASME A112.18.1/CSA B125.1  
ICC/ANSI A117.1 (when installed  
according to ADA standards)  
Massachusetts Accepted

### PRODUCT IMAGE



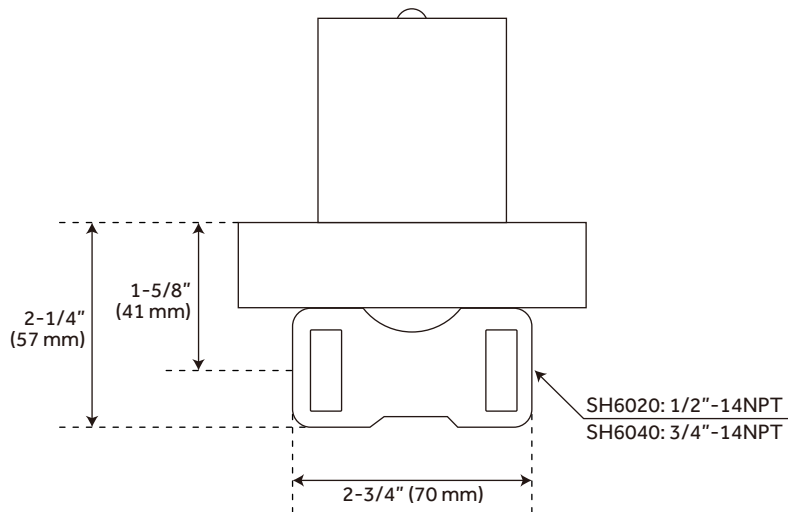
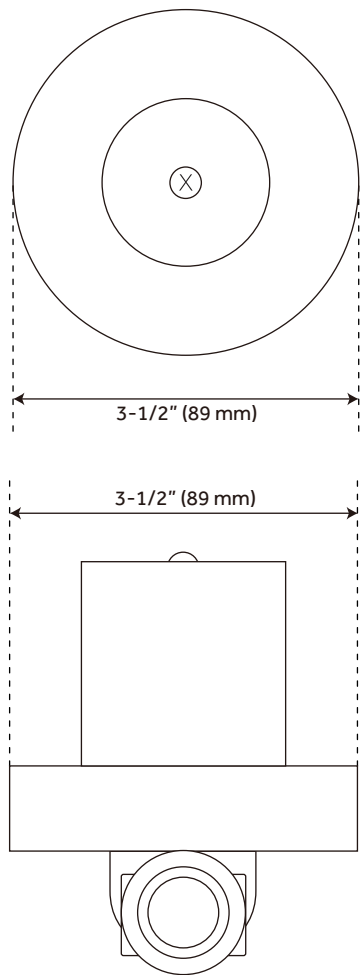
All dimensions and specifications are nominal and may vary. Use actual products for accuracy in critical situations.

PAGE 6  
Code: SHPC9007LH, SHPCVCLEV

# PINECREST

## OPTIONAL VOLUME CONTROL ROUGH-IN VALVE

SKU: 950069



### FEATURES

- Brass Valve Body
- Ceramic Cartridge
- Recommended Valve Installation  
Depth 1-5/8" to 2-3/8"

### CODES/STANDARDS

- cUPC
- ASME A112.18.1/CSA B125.1

### PRODUCT IMAGE



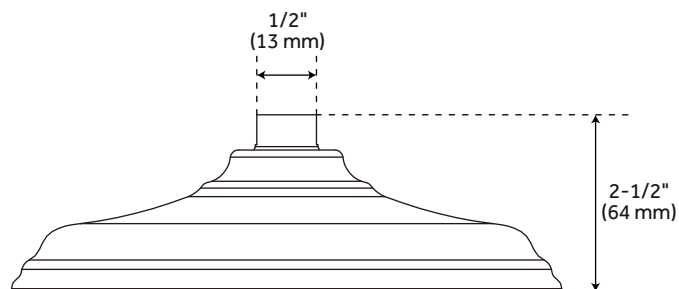
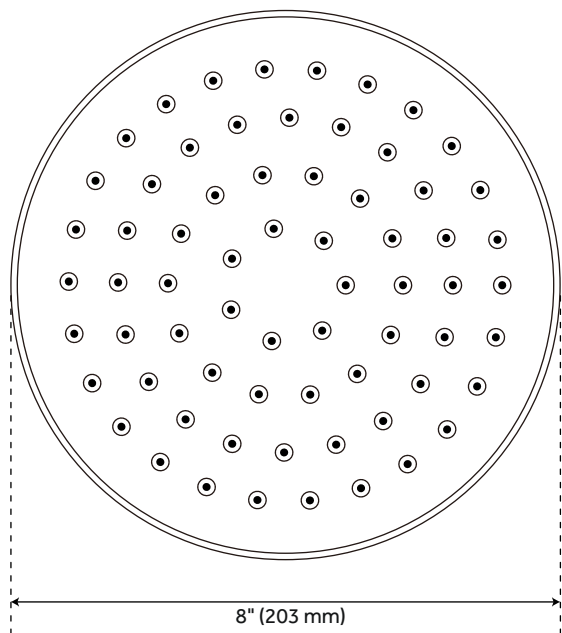
All dimensions and specifications are nominal and may vary. Use actual products for accuracy in critical situations.

PAGE 7  
Code: SH6020/SH6040

# PINECREST

## CEILING-MOUNT SHOWER HEAD

SKU: 950069



### FEATURES

Shape: Round  
Installation Type: Wall Mount  
Number of Shower Heads: 1  
Shower Head Material: Brass  
Shower Head Spray: Rainfall  
Shower Head Swivel: Yes  
Shower Head Flow Rate: 1.8 gpm  
(6.8 l/min) @ 80 psi  
Diameter: 8"  
Height: 2-1/2"  
IPS: 1/2"

### CODES/STANDARDS

cUPC  
ASME A112.18.1/CSA B125.1  
CEC Listed  
Massachusetts Accepted

### PRODUCT IMAGE



All dimensions and specifications are nominal and may vary. Use actual products for accuracy in critical situations.

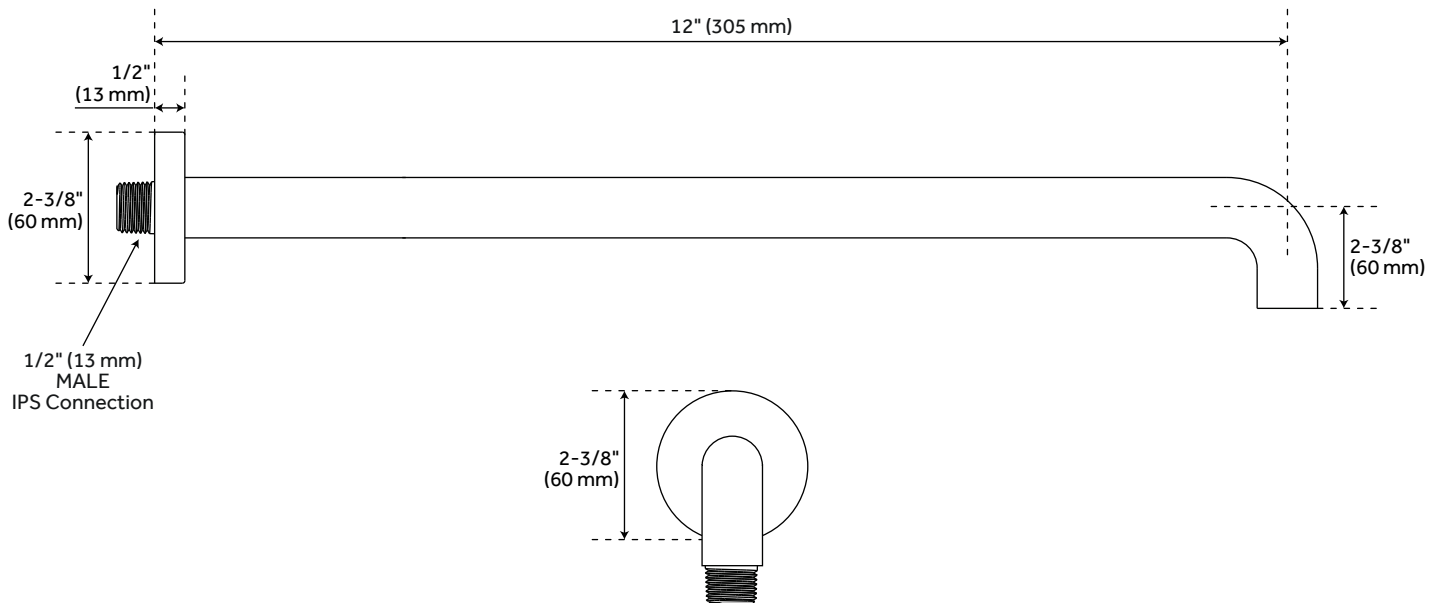
PAGE 8  
Code: SHRSA120, SHRS820T



# PINECREST

## WALL-MOUNT SHOWER ARM

SKU: 950069



### FEATURES

Base Plate Diameter: 2-3/8"  
Shower Arm Extension: 12"  
Shower Arm Height: 2-3/8"

### CODES/STANDARDS

cCSAus  
ASME A112.18.1/CSA B125.1  
Massachusetts Accepted

### PRODUCT IMAGE



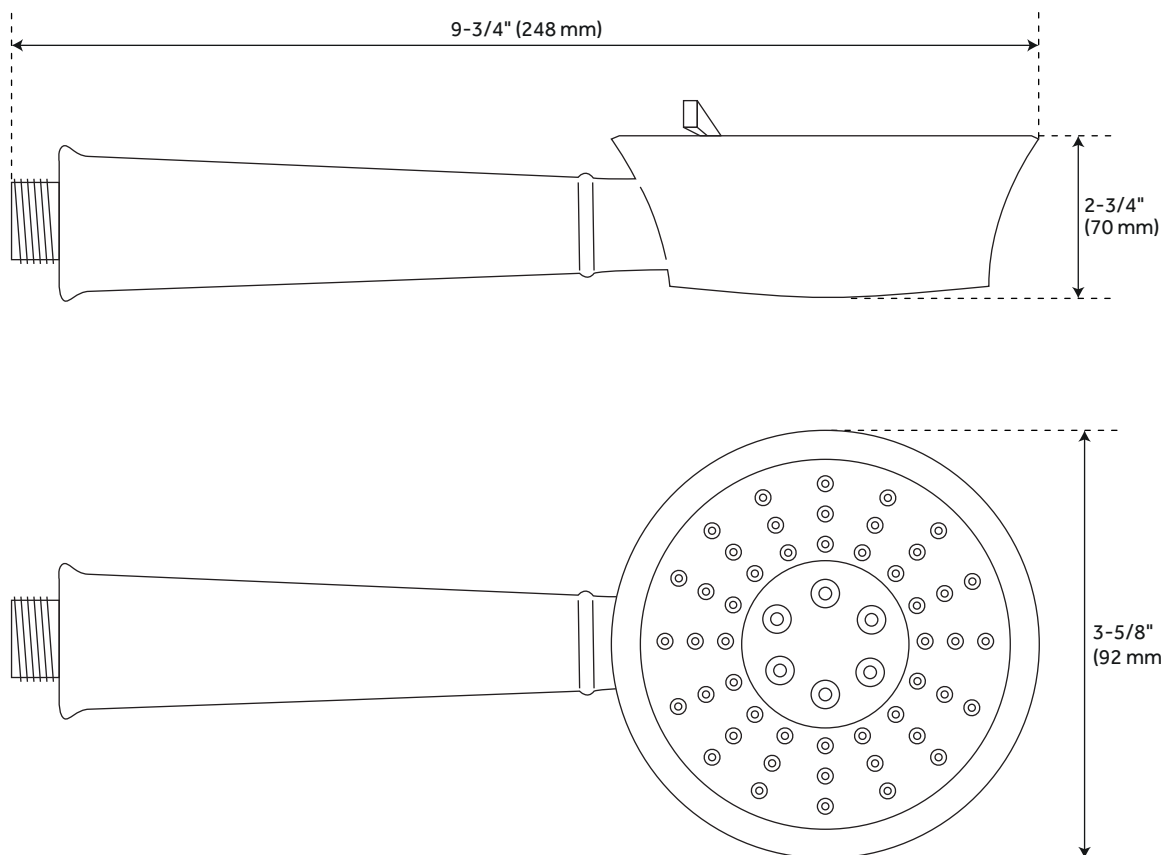
All dimensions and specifications are nominal and may vary. Use actual products for accuracy in critical situations.

PAGE 9  
Code: SHPC9005LH, SHPCTVCRS

# PINECREST

## HAND SHOWER

SKU: 950069



### FEATURES

Material: Brass  
Installation Type: Wall Mount  
Length: 9-3/4"  
Height: 3-5/8"  
Depth: 2-3/4"  
Diverter Included: Yes  
Diverter Outlets: 3

### CODES/STANDARDS

cUPC  
ASME A112.18.1/CSA B125.1  
ASME A112.18.3  
WaterSense

### PRODUCT IMAGE



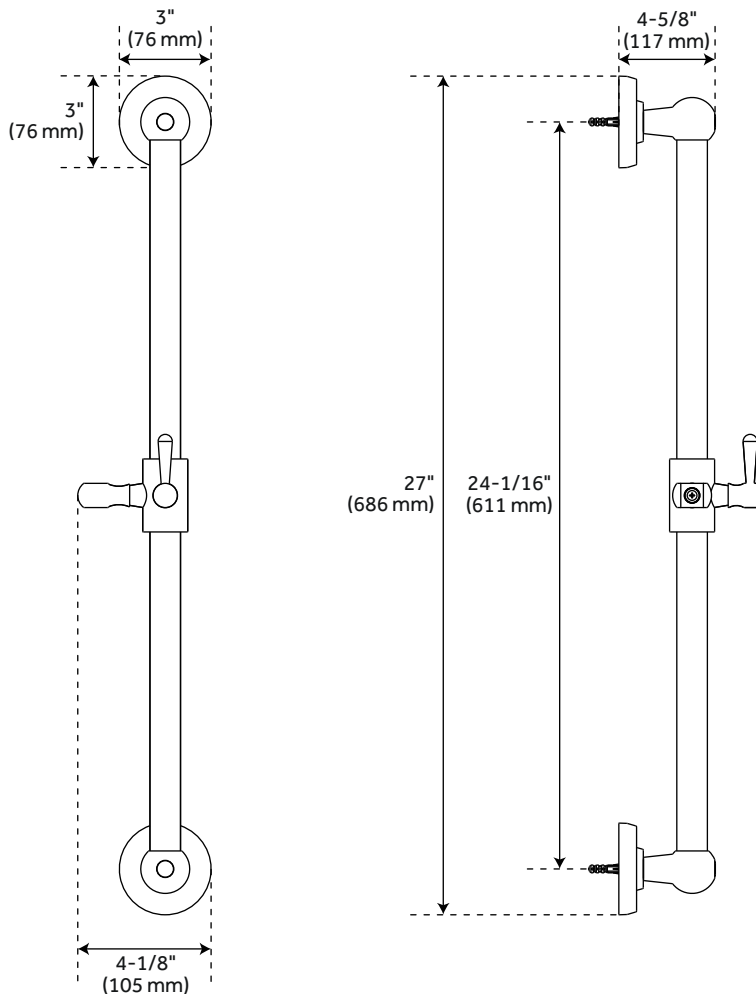
All dimensions and specifications are nominal and may vary. Use actual products for accuracy in critical situations.

PAGE 10  
Code: SHHS4090G

# PINECREST

## SLIDE BAR FOR HAND SHOWER

SKU: 950069



### FEATURES

- Material: Brass
- Handle Type: Lever
- Length: 4-1/8"
- Width: 4-5/8"
- Height: 27"
- Assembly Required: No
- Installation Type: Wall Mount
- Mounting Hardware Included: Yes
- Base Plate Height: 3"
- Base Plate Width: 3"

### PRODUCT IMAGE



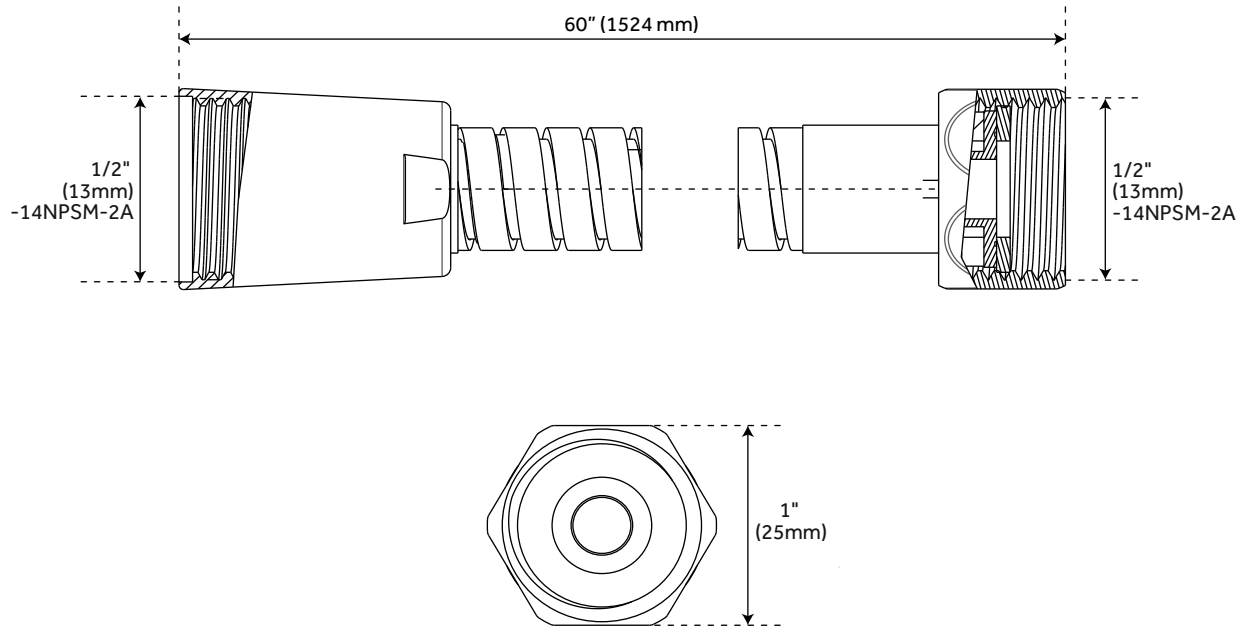
All dimensions and specifications are nominal and may vary. Use actual products for accuracy in critical situations.

PAGE 11  
Code: SHSB3010

# PINECREST

## METAL HOSE FOR HAND SHOWER

SKU: 950069



### FEATURES

Length: 60"  
NPT Connection: 1/2"  
Double Spiral Construction  
Metal Conical Nut

### CODES/STANDARDS

cUPC  
ASME A112.18.1/CSA B125.1  
Massachusetts Accepted

### PRODUCT IMAGE



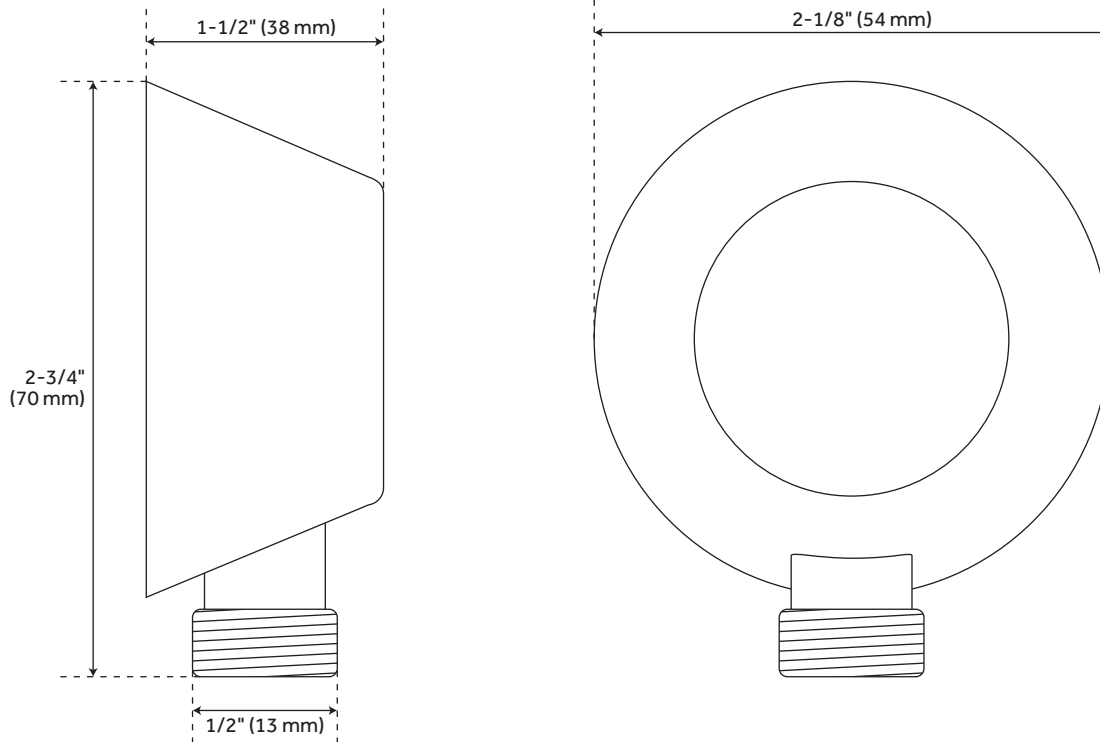
All dimensions and specifications are nominal and may vary. Use actual products for accuracy in critical situations.

PAGE 12  
Code: SHH1010

# PINECREST

## WATER SUPPLY ELBOW FOR HAND SHOWER

SKU: 950069



### FEATURES

Material: Brass  
Length: 2-1/8"  
Width: 2-3/4"  
Height: 1-1/2"

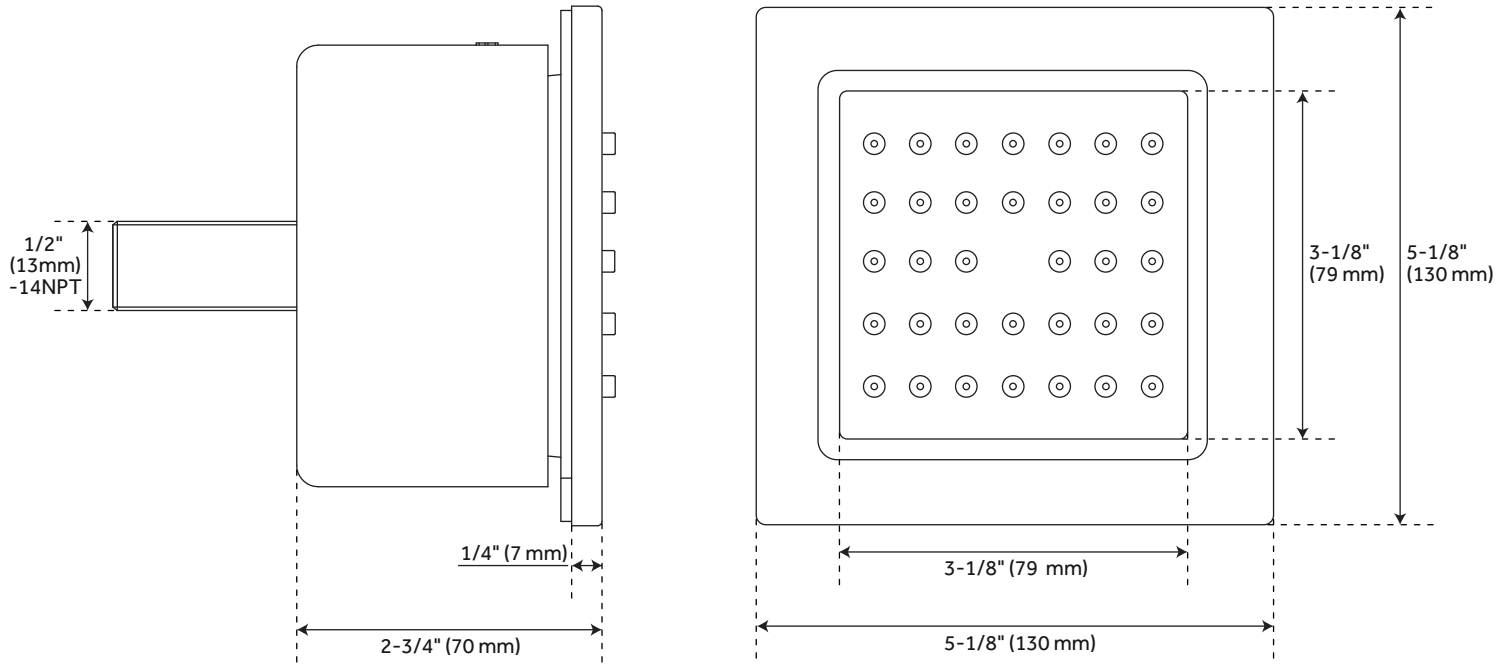
### PRODUCT IMAGE



# PINECREST

## BODY SPRAY

SKU: 950069



### FEATURES

- Material: Brass
- Assembly Required: No
- Base Plate Height: 5-1/8"
- Base Plate Width: 5-1/8"
- Depth: 2-3/4"
- Jet Surface Area: 3-1/8"
- Surface Depth: 1/4"
- Adjustment Angle: 5°
- Male NPT Connection: 1/2"
- Maximum Flow Rate: 2.5 gpm  
(9.5L/min) max @ 80 psi

### PRODUCT IMAGE



All dimensions and specifications are nominal and may vary. Use actual products for accuracy in critical situations.

PAGE 14  
Code: SHBS6040E